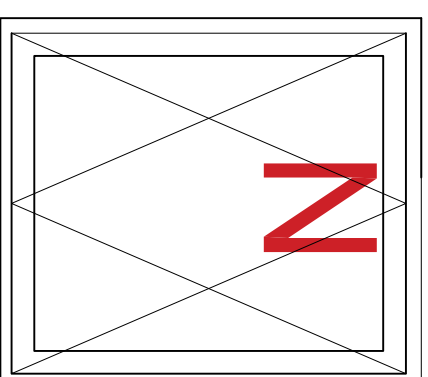
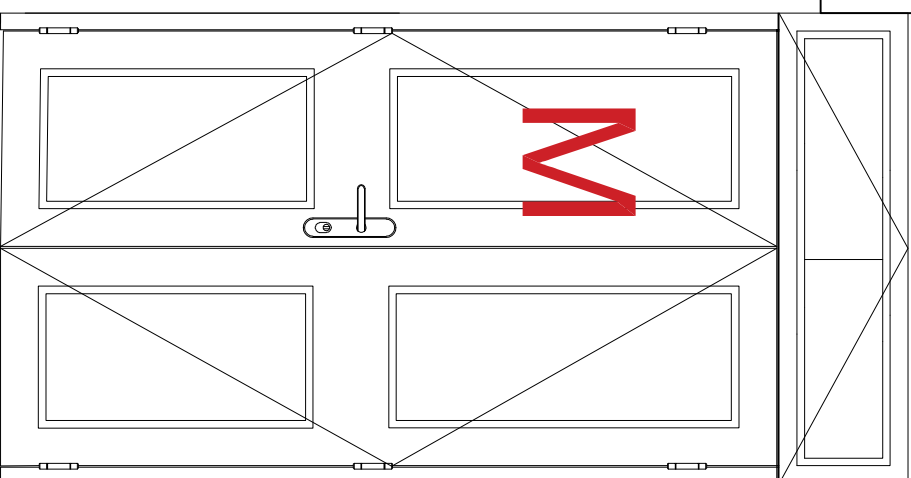
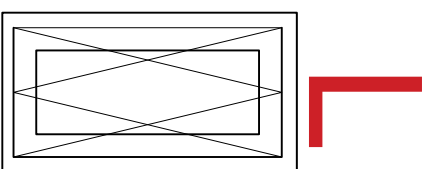
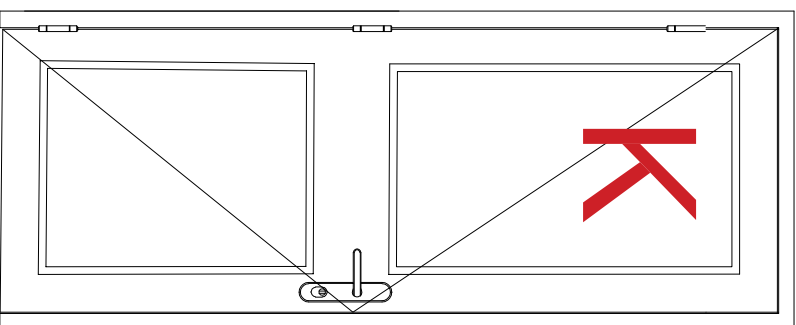
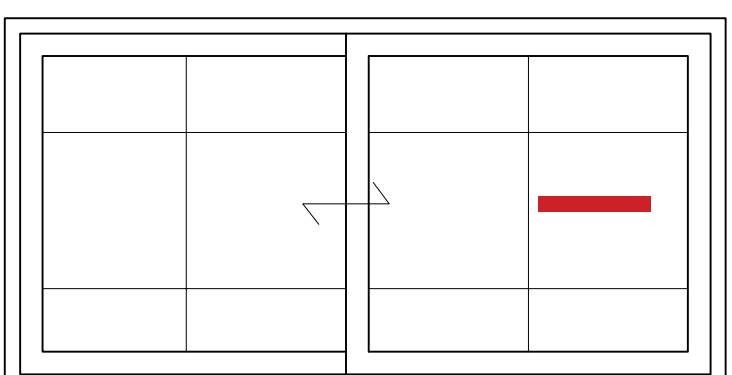
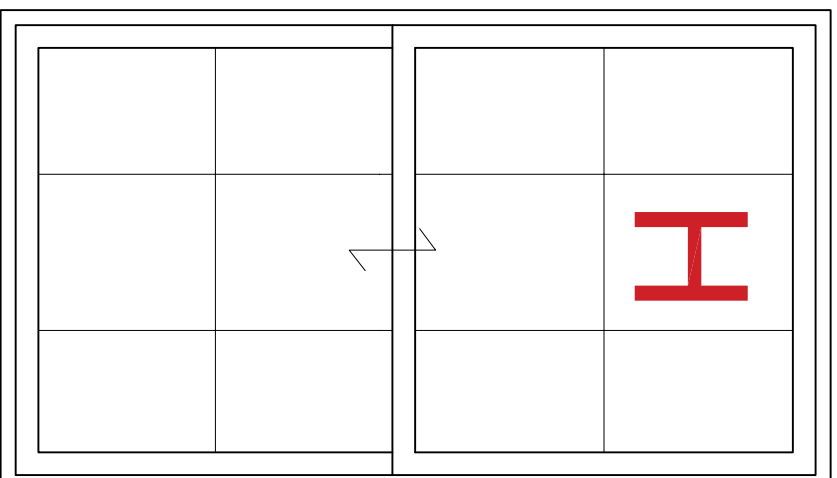
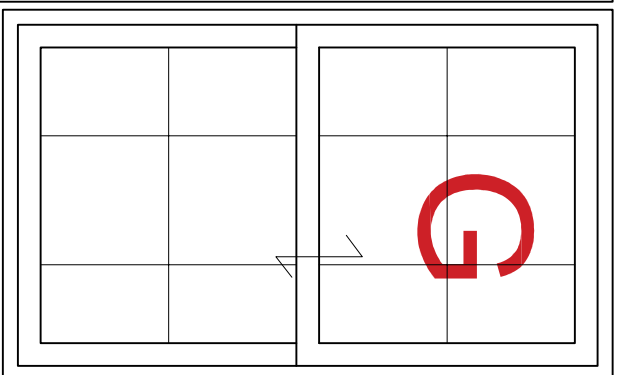
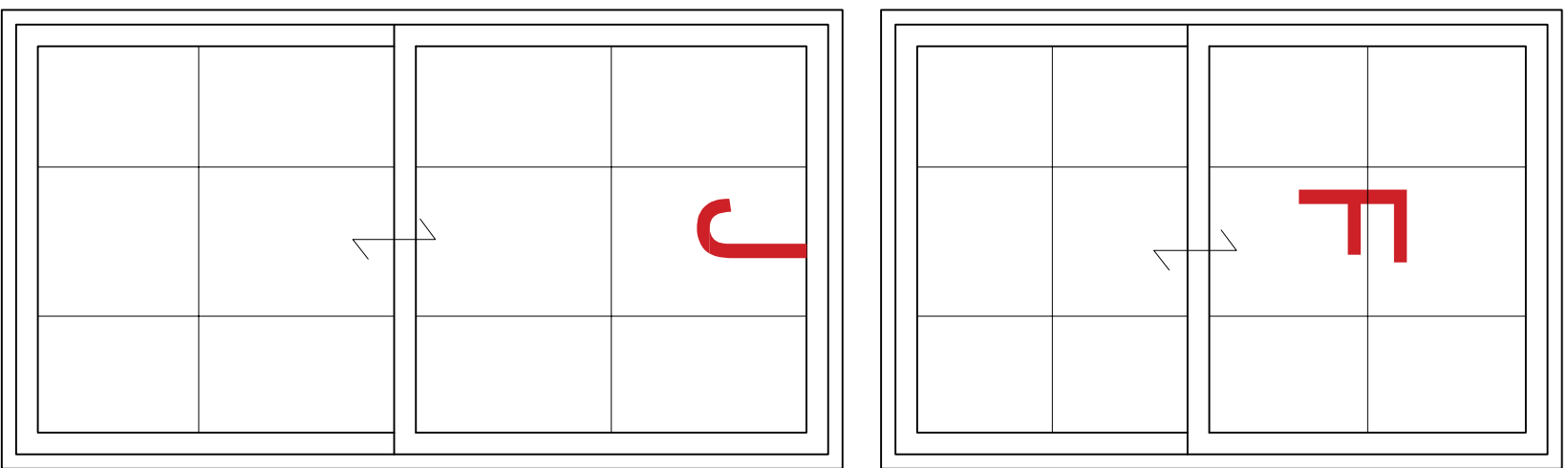
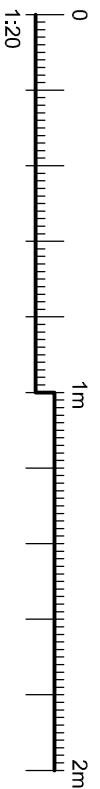


Existing Rear Elevation



Proposed Windows

The contractor is responsible to ensure that no products are to be utilized that do not comply with relevant British and/or European Standards and/or Codes of Practice, British Standards, Construction Regulations, or which are known or suspected at the time of product selection to be in breach of the Health and Safety or to the durability of the work or not in accordance with good building practice.

The contractor is responsible for checking dimensions, tolerances, levels and references. The drawings are for information only and are not to be used for construction. Any discrepancy to be notified to Baily Garner LLP and rectified before proceeding with the work on site or shop drawings.

Where an item is covered by drawings to different scales, the larger scale drawing is to be worked to.

Do not scale drawings. Figure dimensions to be worked to in all cases.

This drawing and the copyrights and patents therein are the property of Baily Garner LLP and may not be used or reproduced without consent or attribution.

A3

CLIENT:	Clarton Housing Group	PROJECT:	Window & Door Replacement Works
ADDRESS:	19 Acton London WC1X 9LX	TITLE:	Existing Rear Photos & Proposed Window Schedules
SCALE:	1:20 @ A3	PURPOSE OF ISSUE:	Planning
DRAWING NO:	30668	DATE:	07/11/18
REVISION:		REVISION:	

BAILY GARNER
 146-148 ELTHAM HILL
 LONDON, SE9 5DY
 T: 020 8294 1000
 F: 020 8294 1200
 e: general@bailygarner.co.uk