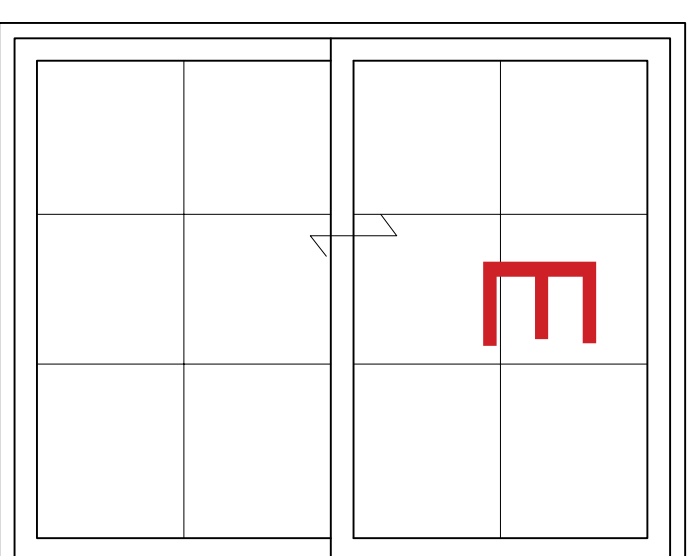
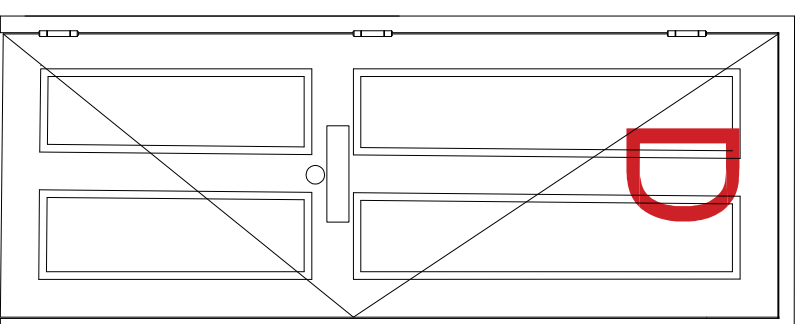
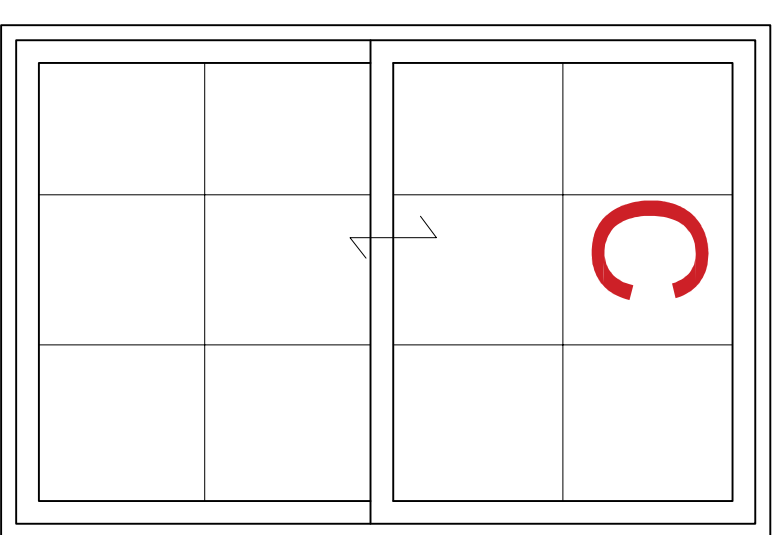
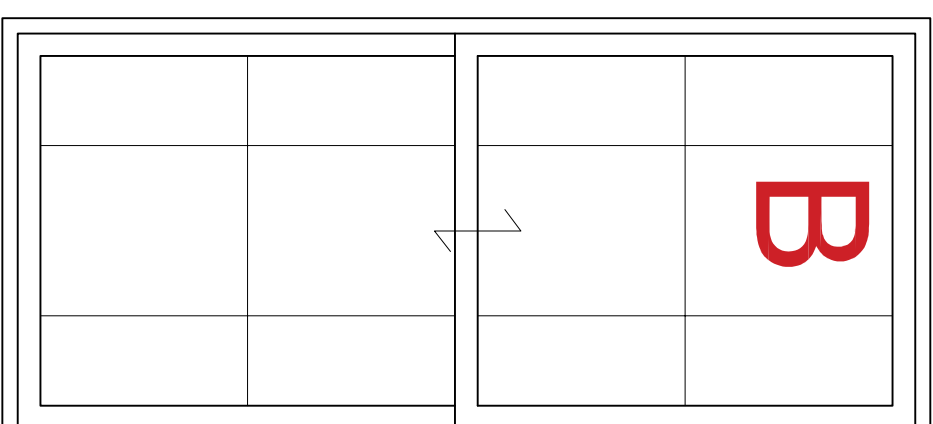
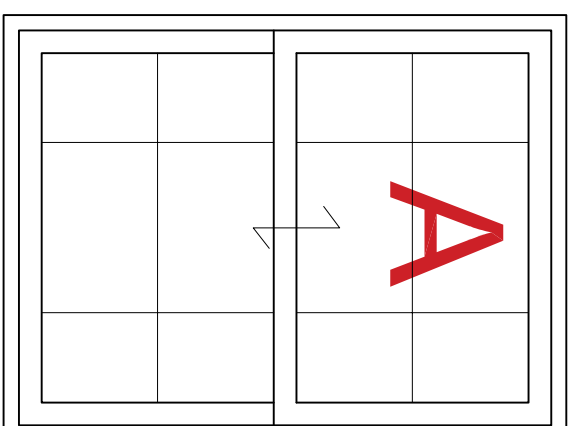
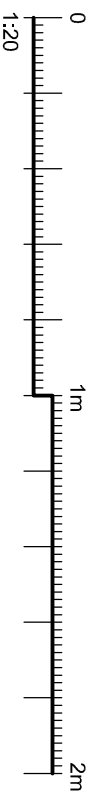




Existing Front Elevation



Proposed Windows

The contractor is responsible to ensure that no products are to be utilized that do not comply with relevant British and/or European Standards and/or Codes of Practice, British Regulations, Construction regulations, or which are known or suspected at the time of product selection to be in breach of any relevant health and safety or to the durability of the work or not in accordance with good building practice.

The contractor is responsible for checking dimensions, tolerances, levels and references. The contractor is responsible for ensuring that the proposed windows and doors are installed in accordance with the manufacturer's instructions and are installed in accordance with the relevant building regulations. The contractor is responsible for ensuring that the proposed windows and doors are installed in accordance with the relevant building regulations. The contractor is responsible for ensuring that the proposed windows and doors are installed in accordance with the relevant building regulations.

When an item is covered by drawings to different scales, the larger scale drawing is to be worked to.

Do not scale drawings. Figure dimensions to be worked to in all cases.

This drawing and the copyright and patents therein are the property of Baily Garner LLP and may not be used or reproduced without consent or attribution.

A3

CLIENT:
Clarton Housing Group

ADDRESS:

27 Acton Street
Camden London,
WC1X 9LZ

PROJECT:
Window & Door Replacement Works

TITLE:

Existing Front Photos & Proposed
Window Door Schedules
Planning

SCALE: 1:20 @ A3
DRAWING NO: 30668

DRAWING NO: P01

DATE: 07/11/18
REVISION:



146-148 ELTHAM HILL
LONDON, SE9 5DY
T: 020 8294 1000
F: 020 8294 1300
E: general@bailygarner.co.uk