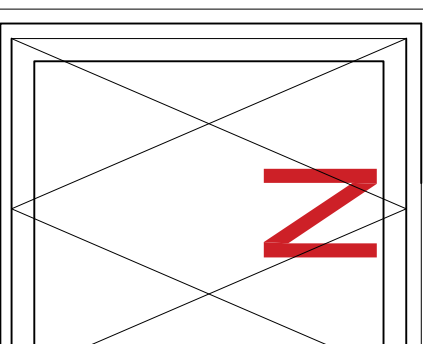
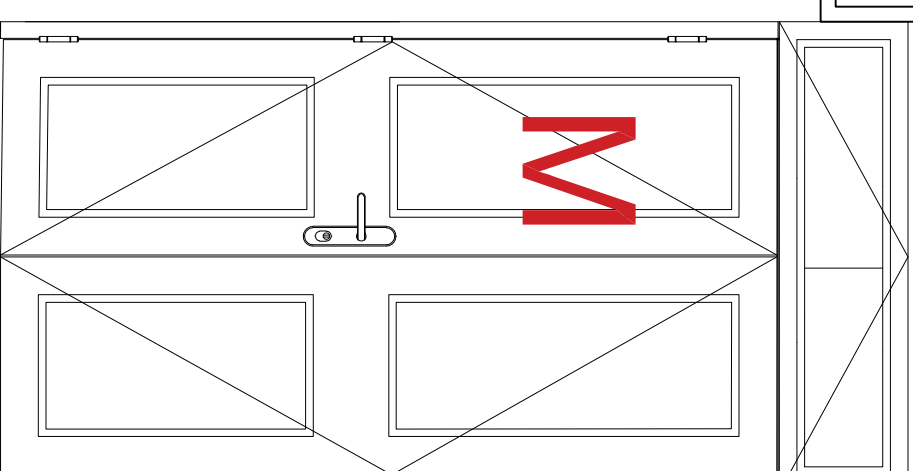
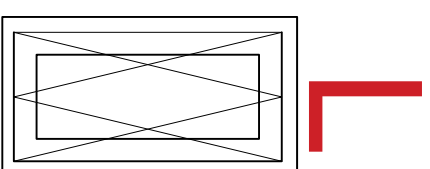
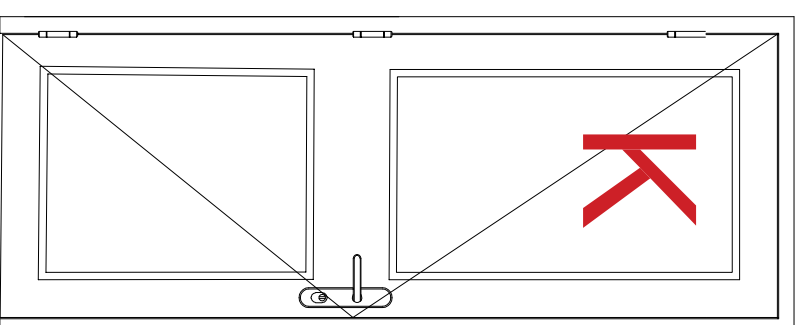
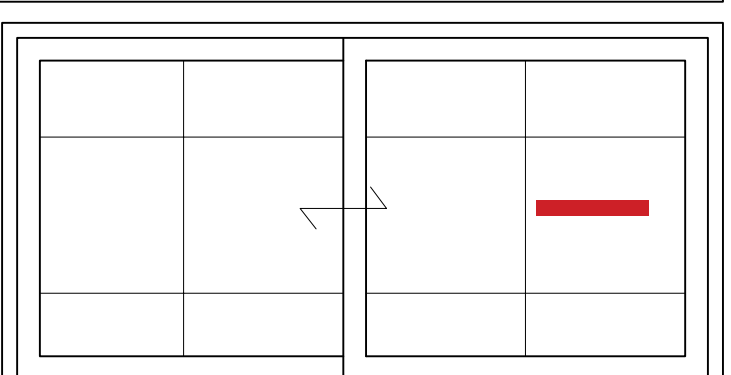
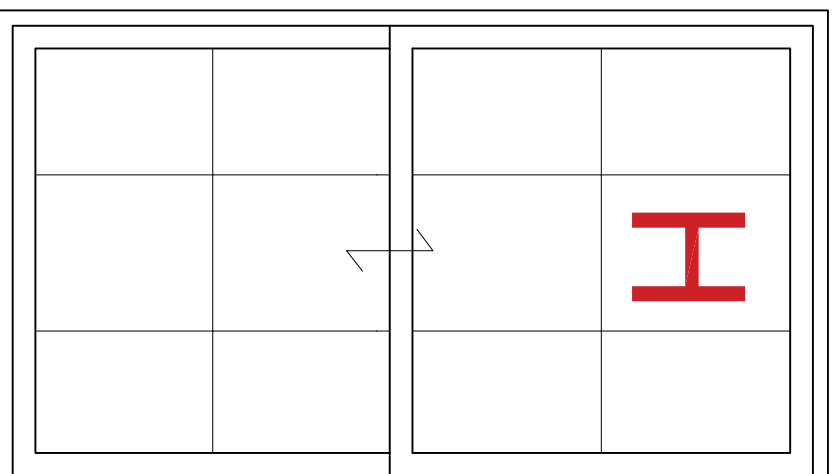
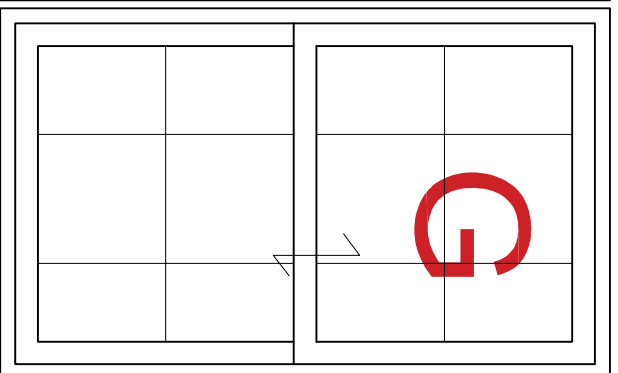
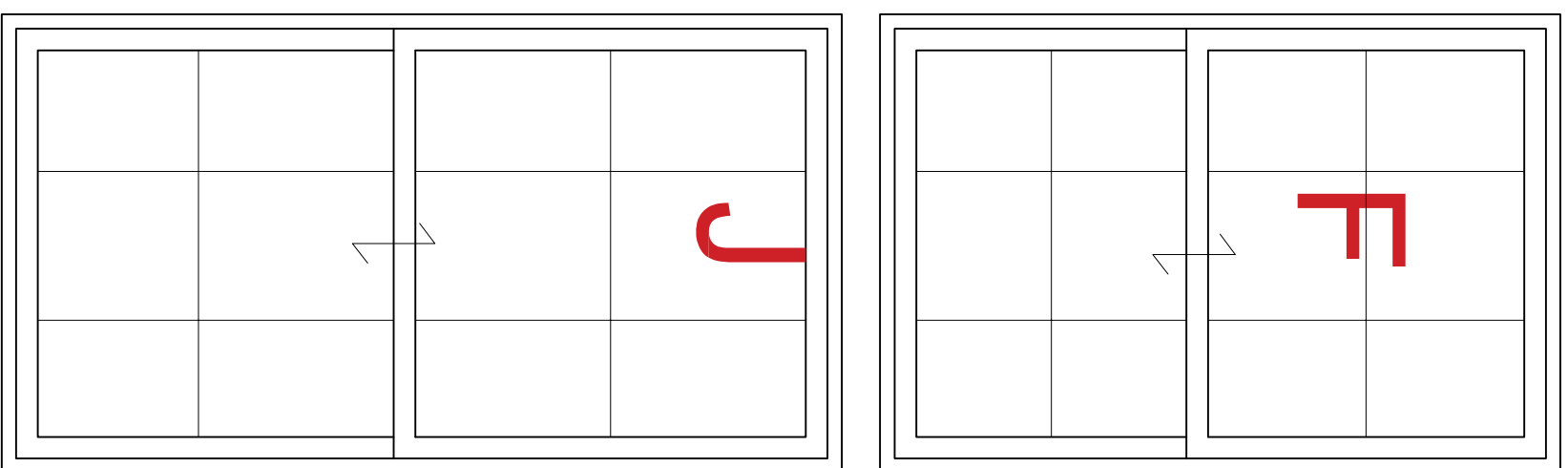
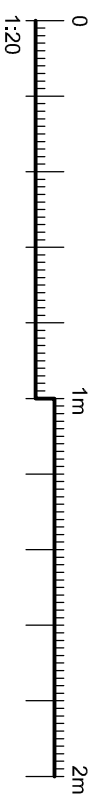




Existing Rear Elevation



Proposed Windows

A3

CLIENT:
Clarion Housing Group

ADDRESS:
20 Acton Street
Camden London,
WC1X 9LX

PROJECT:
Window & Door Replacement Works

TITLE:
Existing Rear Photos & Proposed
Window, Door Schedules
PURPOSE OF ISSUE:
Planning

SCALE:
1:20 @ A3
DRAWING NO:
30668

DATE:
07/11/18
DRAWING NO:
P01
REVISION:

The contractor is responsible to ensure that no products are to be utilized that do not comply with relevant British and/or European Standards and/or Codes of Practice, British Regulations, Construction regulations, or which are known or suspected at the time of product selection to be in breach of health and safety or to the durability of the work or not in accordance with good building practice.

The contractor is responsible for checking dimensions, tolerances, levels and references. The contractor is responsible for ensuring that all work is carried out in accordance with the drawings and any discrepancy to be notified to Baily Garner LLP and rectified before proceeding with the work on site or shop drawings.

Where an item is covered by drawings at different scales, the larger scale drawing is to be worked to.

Do not scale drawings. Figured dimensions to be worked to in all cases.

This drawing and the copyrights and patents therein are the property of Baily Garner LLP and may not be used or reproduced without consent or attribution.



146-148 ELTHAM HILL
LONDON, SE9 5DY
T: 020 8294 1000
F: 020 8294 1300
E: general@bailygarner.co.uk