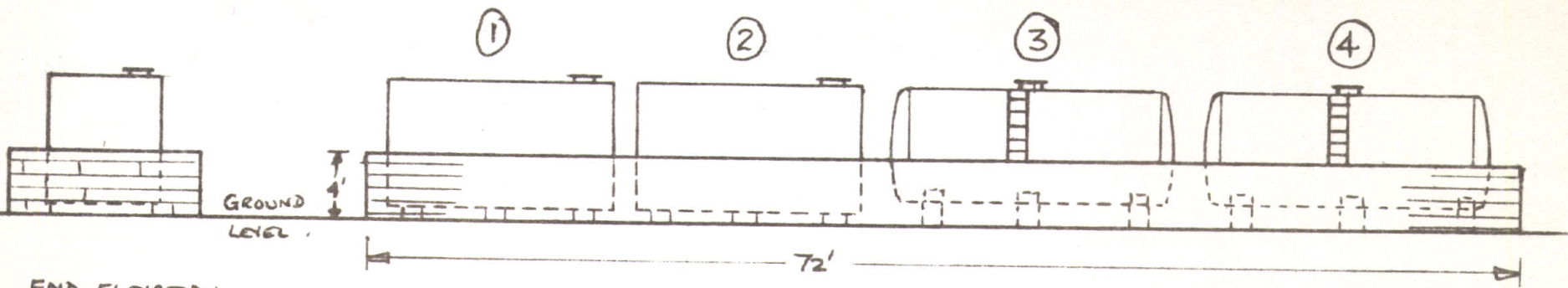


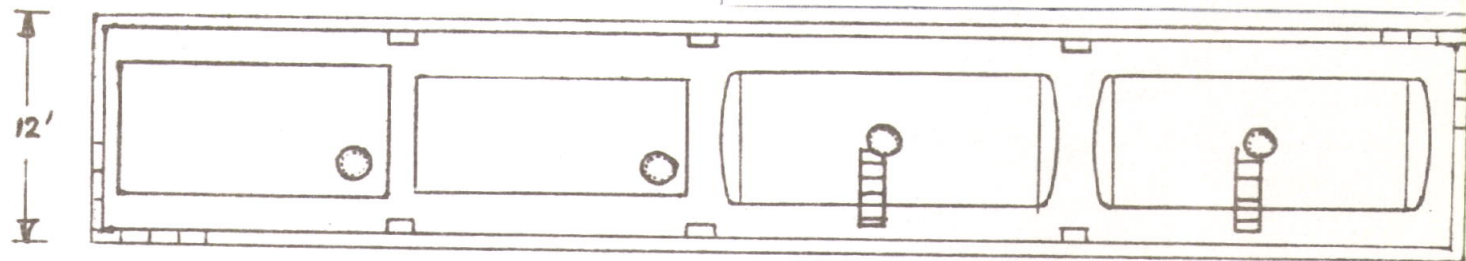
PLAN B. Details of Fuel Oil Storage Tanks



END ELEVATION

FRONT ELEVATION

CTP/E10/9/A/20168.



12'

PLAN

BUND WALL OF 9" x 9" x 18" CONCRETE BLOCKS

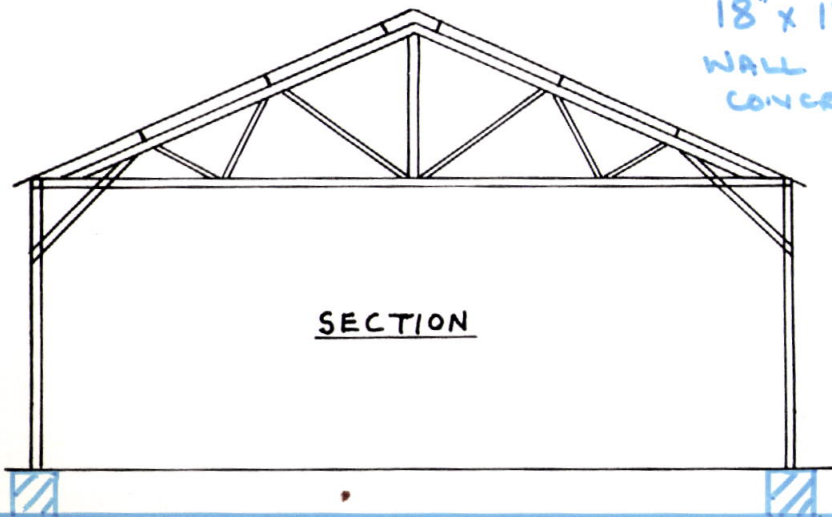
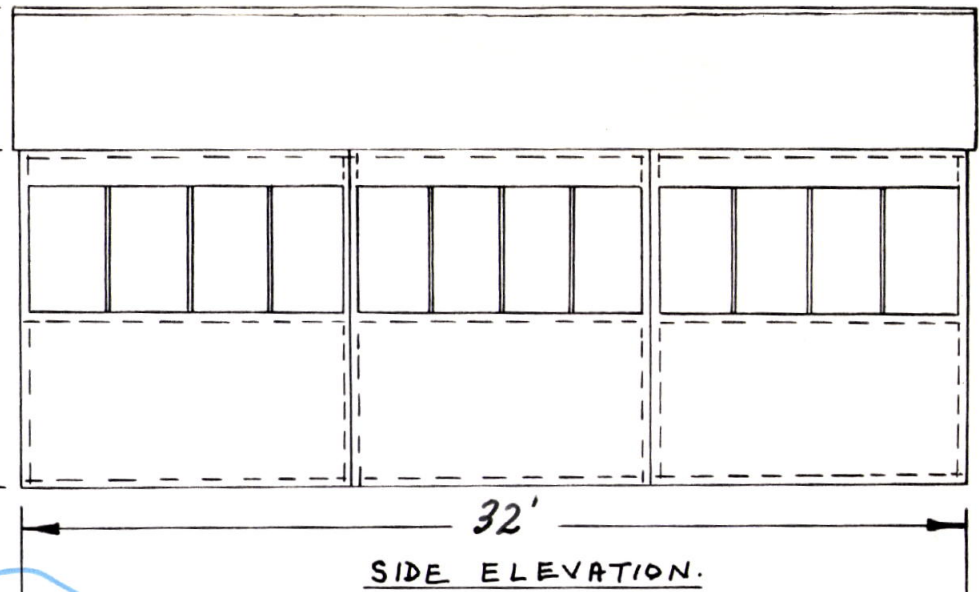
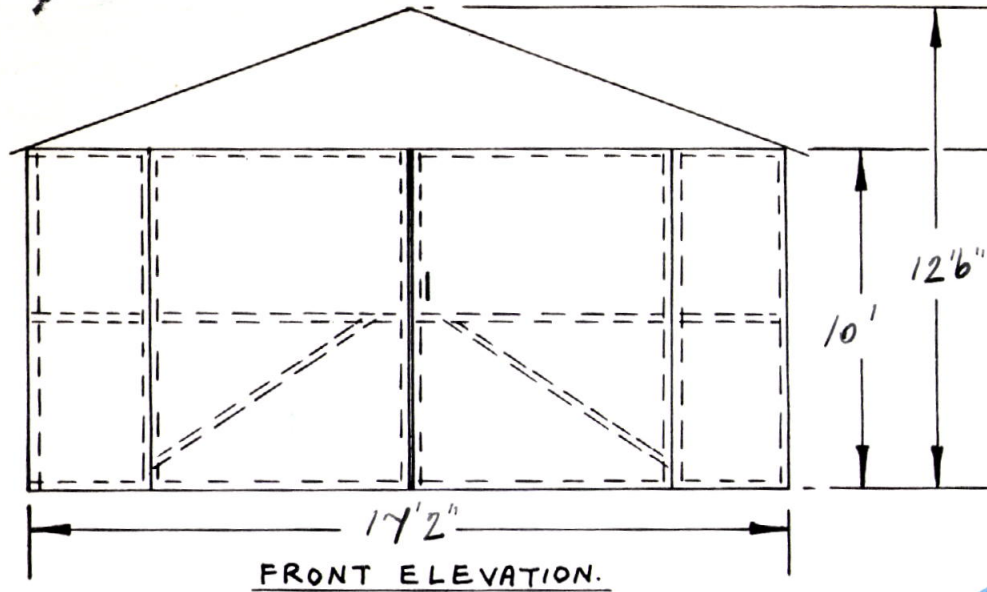
TANK SIZES

- ① 14'L x 8'H x 7'W
- ② 14'L x 8'H x 6'W
- ③ 18'L x 7'DIA
- ④ 18'L x 7'DIA

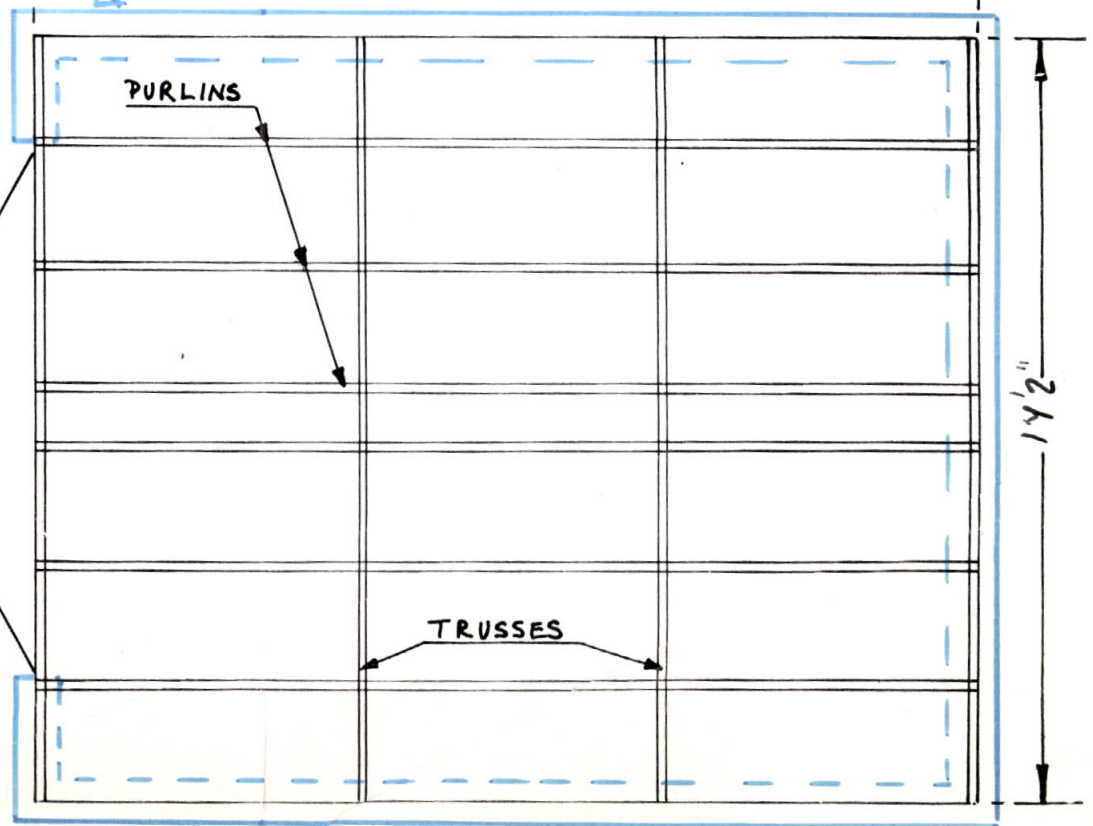
NOTE CAPACITY OF BUND IS SUFFICIENT TO COPE WITH LOSS OF TOTAL CONTENTS OF TANKS IN THE EVENT OF MISHAP.

PLAN OF PROPOSED BUILDING.

PLAN A



18" x 18" DWARF WALL OF CONCRETE BLOCKS



PLAN.

SPECIFICATION
 FRAMING OF 2" x 2" x 1/8" and 1 1/2" x 1 1/2" x 1/8" Steel angle
 ROOF CLAD WITH CORRUGATED ASBESTOS
 WALLS CLAD WITH - do -
 DOORS STEEL FRAMED AND CLAD WITH galv. corr. sheets
 ROOF TRUSSES AT 8' INTERVALS.

CTP/E10/9/A/20168.

NOTE: ALL ASBESTOS TO B.S.690:1963 and GALV. STEEL TO B.S.2989:1958
3083:1959

SCALE: 104.16 feet
to an inch

PROPOSED SITE
FOR WORKSHOP
SEE PLAN A

PROPOSED SITE
FOR STORAGE TANKS
SEE PLAN B

CIP/EO/9/A/20168

Scale 1/1250 or 104.16 feet to an inch

