
THE LIVING ROOM

LUXURY FURNITURE & INTERIORS



A JEWELLERS
LONDON

SHOP FRONT / SHUTTER /
SIGN

46 HATTON GARDENS
LONDON
EC1N 8EX

23 OCTOBER 2018

T: 0800 690 6000
STUDIO@MYLIVINGROOM.COM
WWW.MYLIVINGROOM.COM
WWW.THELIVINGROOMLONDON.COM

16 CURZON STREET
LONDON
W1J7 5HPV



Existing Fron Shop

Dome CCTV Camera

Chrome Sign
Dim. 490x450 mm

Chrome Sign
Dim. 1070x165 mm

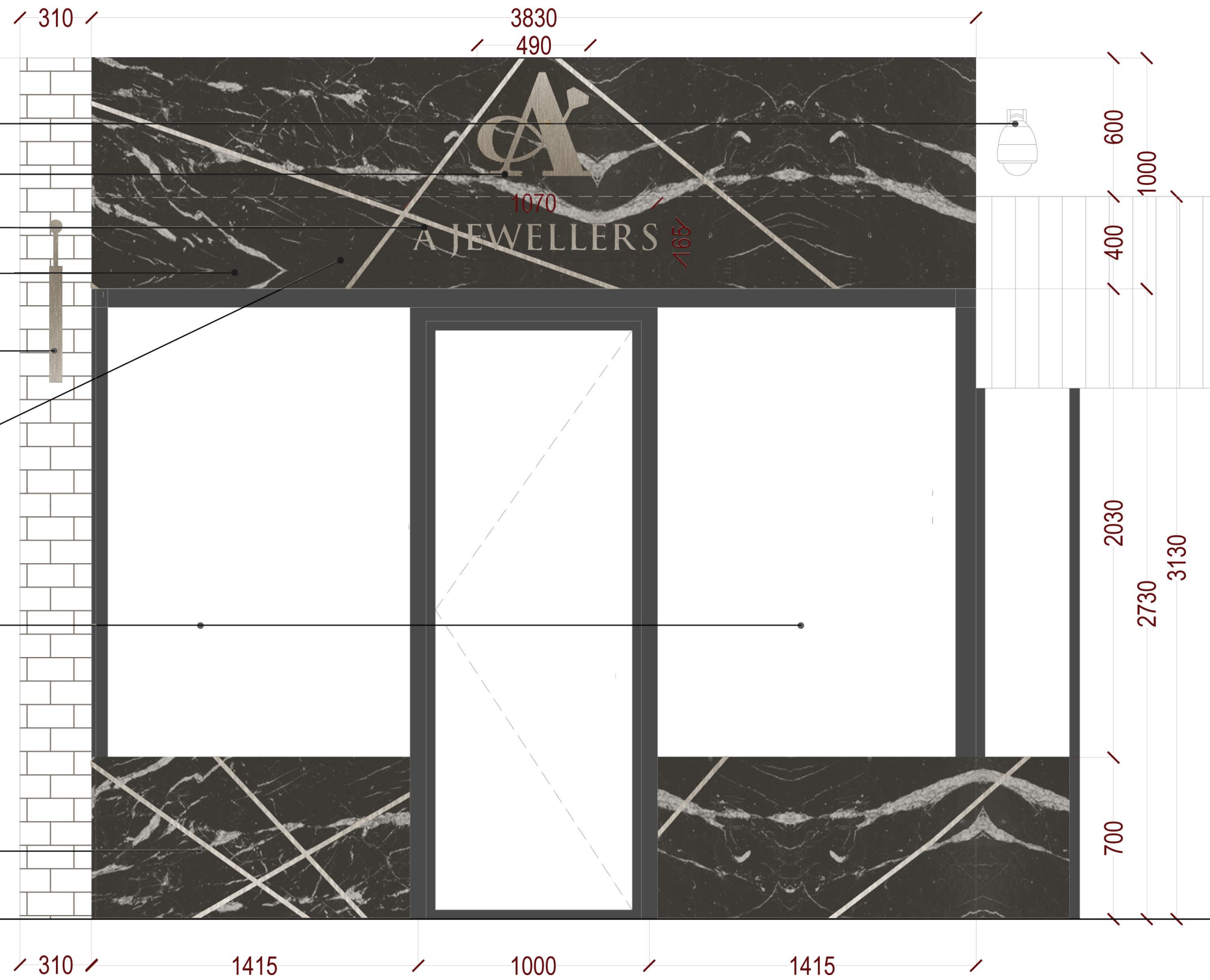
Shutter Box
(positioned behind fascia)

Projection Sign
500 x 500 mm

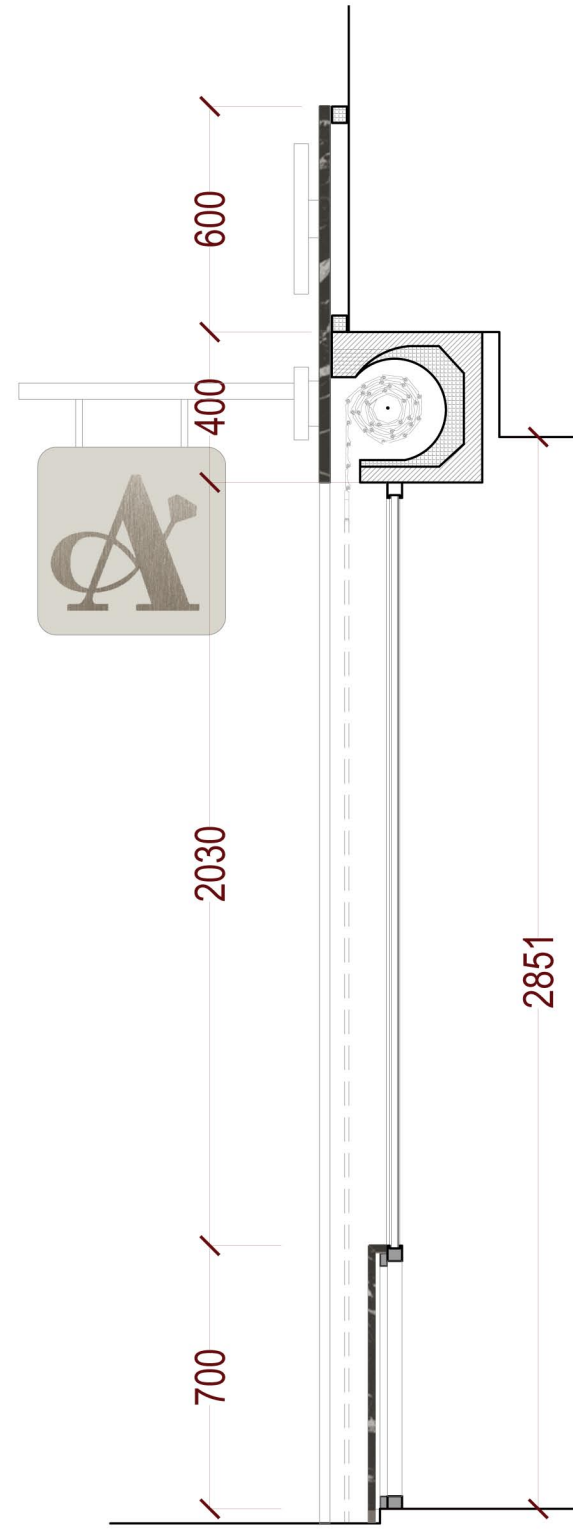
Nero Marquina
Marble

Display

Nero Marquina



Front Elevation



Side Elevation



SPECIFICATION

SYSTEM
Aluminium shop-front profile

FINISH
Powder coated to standard RAL

GLASS
25.5 mm toughened laminated glass panels for the windows and 17 mm toughened glass panel for the doors.

COMMENT

REV	DESCRIPTION	DATE

CLIENT

A Jewellers
Hatton Garden

PROJECT

ALUMINIUM SHOP FRONT
SHUTTERS and FASCIA SIGNS

TITLE

A JEWELLERS
Shop front / shutter / signs

SCALE

DATE

DRAWN BY

05/03/2018

FW

DRAWING No

REV

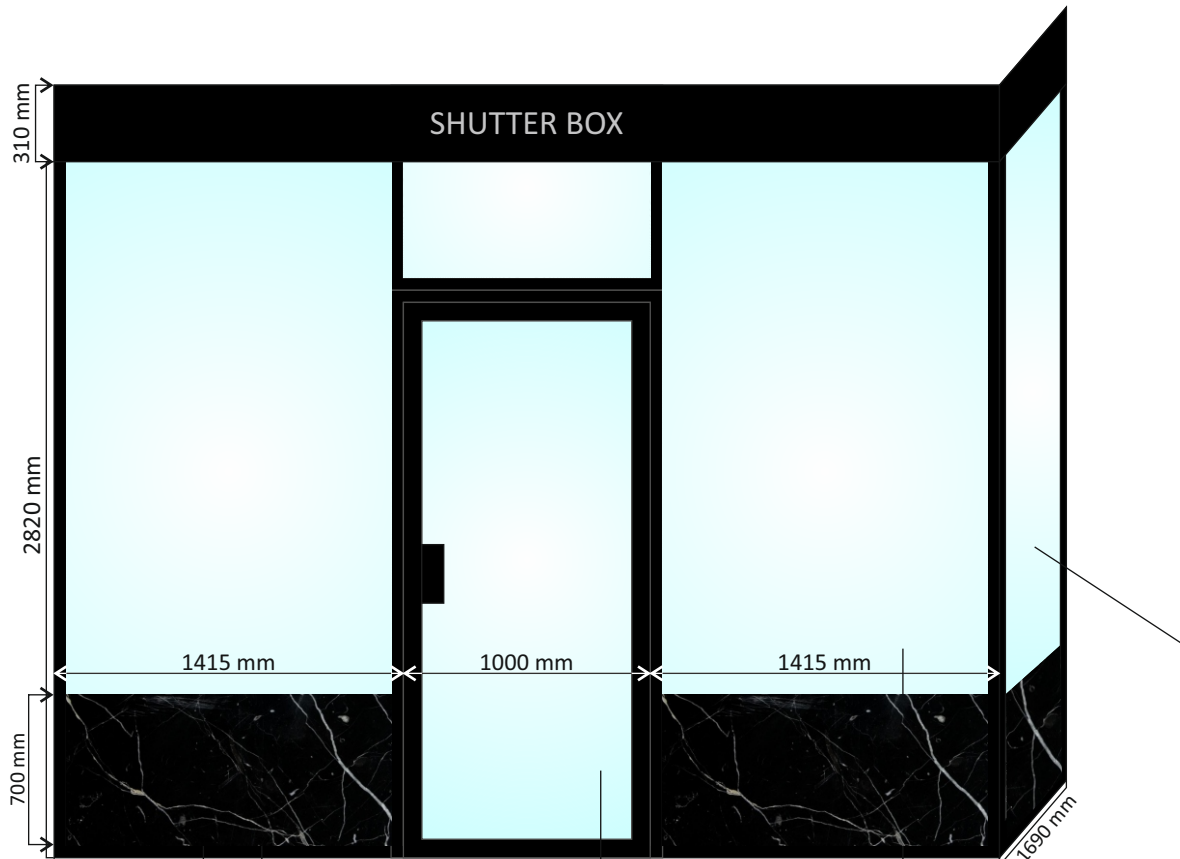
001 - AJ

.



Unit 8
Cumberland Business Park
Cumberland Avenue
Park Royal, London
NW10 7RT

Tel : 020 8965 5555
Email : f.waheedy@esg.uk.com
www.esg.uk.com

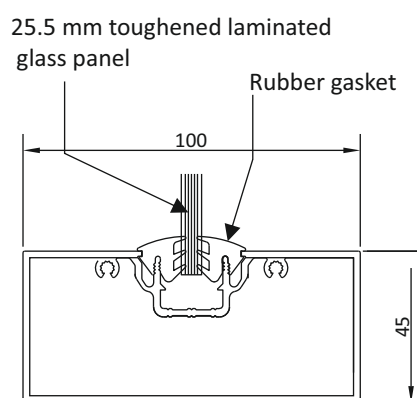


Window for ventilation ← → nero marquena stone on 9 mm ply and metal backing behind the stone.

Entrance door with 17.5 mm toughened glass panel.

← 25.5 mm toughened laminated glass panels on the windows

FRONT ELEVATION



SHOP FRONT PROFILE

Open Grille motorised roller shutters



SPECIFICATION

SYSTEM
Aluminium shop-front profile

FINISH
Powder coated to standard RAL

GLASS
25.5 mm toughened laminated glass panels for the windows and 17 mm toughened glass panel for the doors.

COMMENT

REV	DESCRIPTION	DATE

CLIENT

A Jewellers
Hatton Garden

PROJECT

ALUMINIUM SHOP FRONT

SHUTTERS and FASCIA SIGNS

TITLE

A JEWELLERS
Shop front / shutter / signs

SCALE

DATE

05/03/2018

DRAWN BY

FW

DRAWING No

002 - AJ

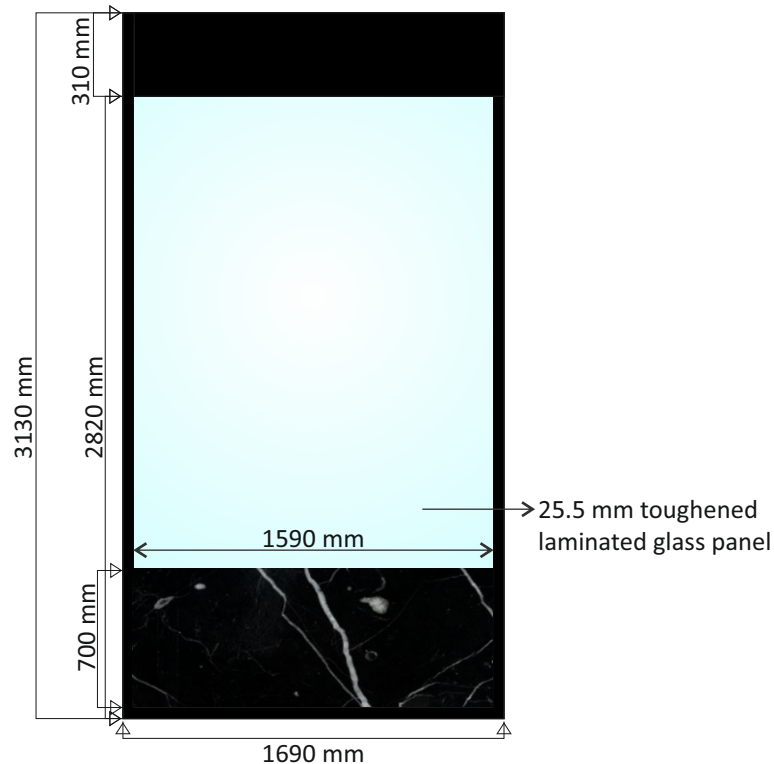
REV

.

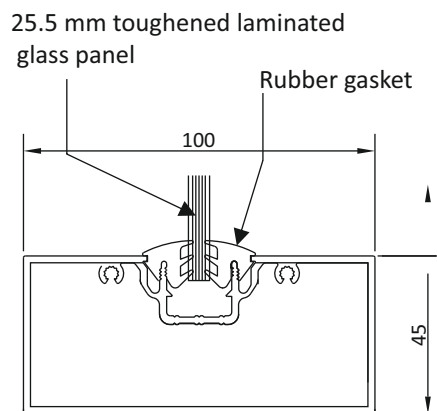


Unit 8
Cumberland Business Park
Cumberland Avenue
Park Royal, London
NW10 7RT

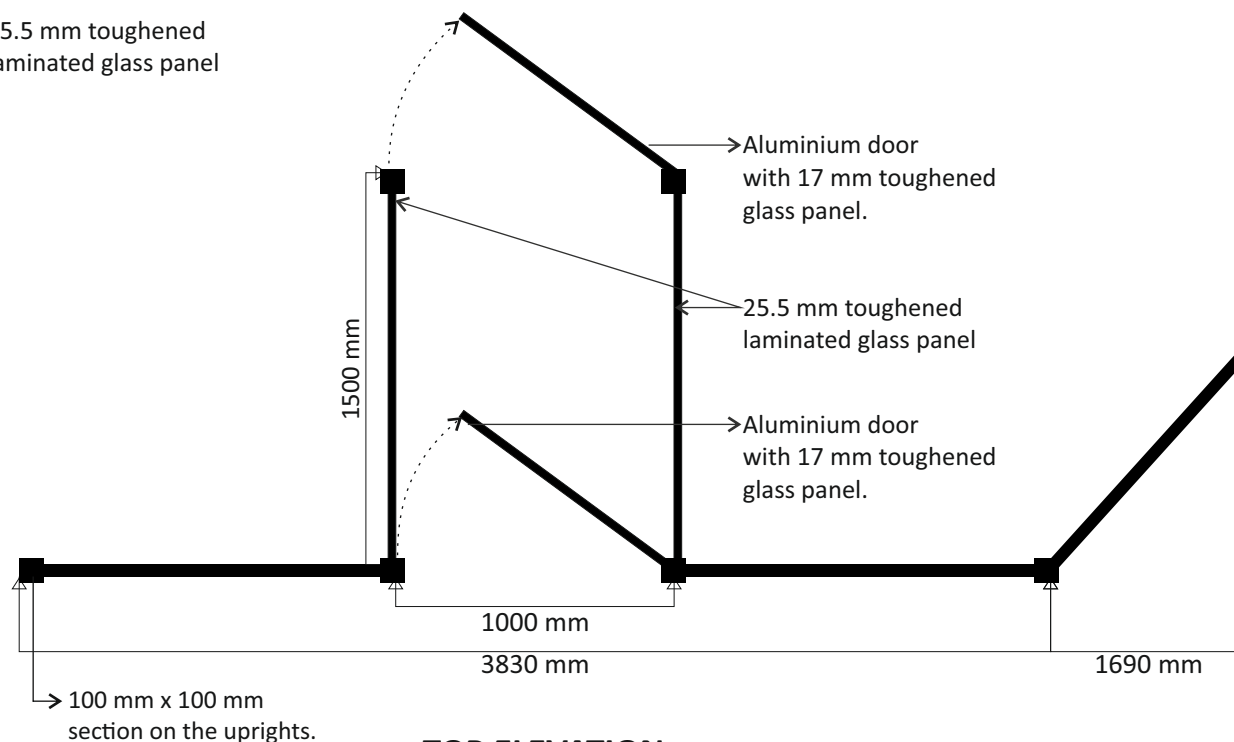
Tel : 020 8965 5555
Email : f.waheedy@esg.uk.com
www.esg.uk.com



SIDE ELEVATION



SHOP FRONT PROFILE



TOP ELEVATION
INTERNAL LOBBY

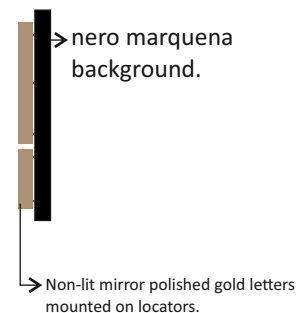


880 mm

3830 mm

nero marquina background.

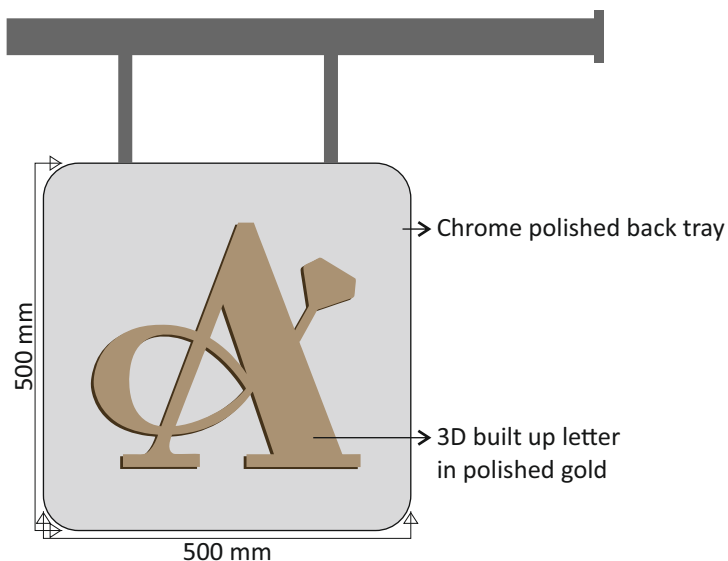
Polished gold 3D letters mounted onto the aluminium back tray. No illumination.



nero marquina background.

Non-lit mirror polished gold letters mounted on locators.

FASCIA SIGN - SIDE ELEVATION



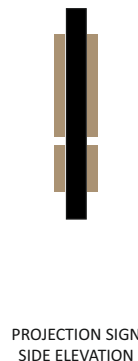
Chrome polished back tray

3D built up letter in polished gold

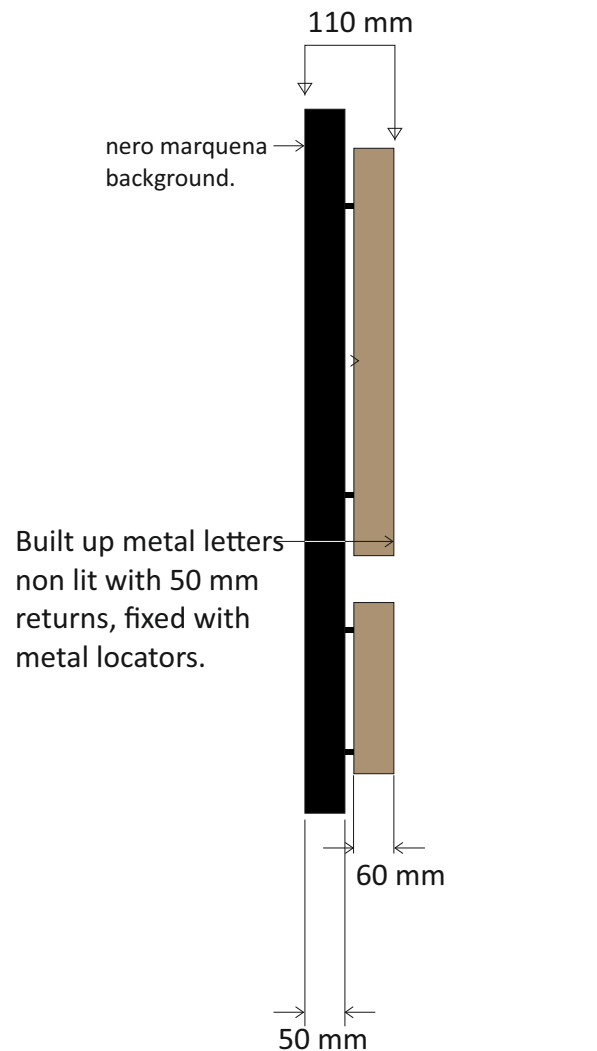
500 mm

500 mm

PROJECTION SIGN - FRONT ELEVATION



PROJECTION SIGN SIDE ELEVATION



nero marquina background.

Built up metal letters non lit with 50 mm returns, fixed with metal locators.

110 mm

60 mm

50 mm

CROSS SECTION OF THE MAIN FASCIA SIGN

SPECIFICATION

SYSTEM
Powder coated aluminium tray

FINISH
Powder coated matt

LETTERS
Mirror polished gold 3D letters

COMMENT

REV	DESCRIPTION	DATE

CLIENT	A Jewellers Hatton Garden	
--------	------------------------------	--

PROJECT	Non-Illuminated shimmer fascia sign	
---------	--	--

TITLE	A JEWELLERS Front Fascia sign / projection sign	
-------	---	--

SCALE	DATE 05/03/2018	DRAWN BY FW
-------	--------------------	----------------

DRAWING No 003 - AJ	REV .
------------------------	----------



Unit 8
Cumberland Business Park
Cumberland Avenue
Park Royal, London
NW10 7RT
Tel : 020 8965 5555
Email : f.waheedy@esg.uk.com
www.esg.uk.com