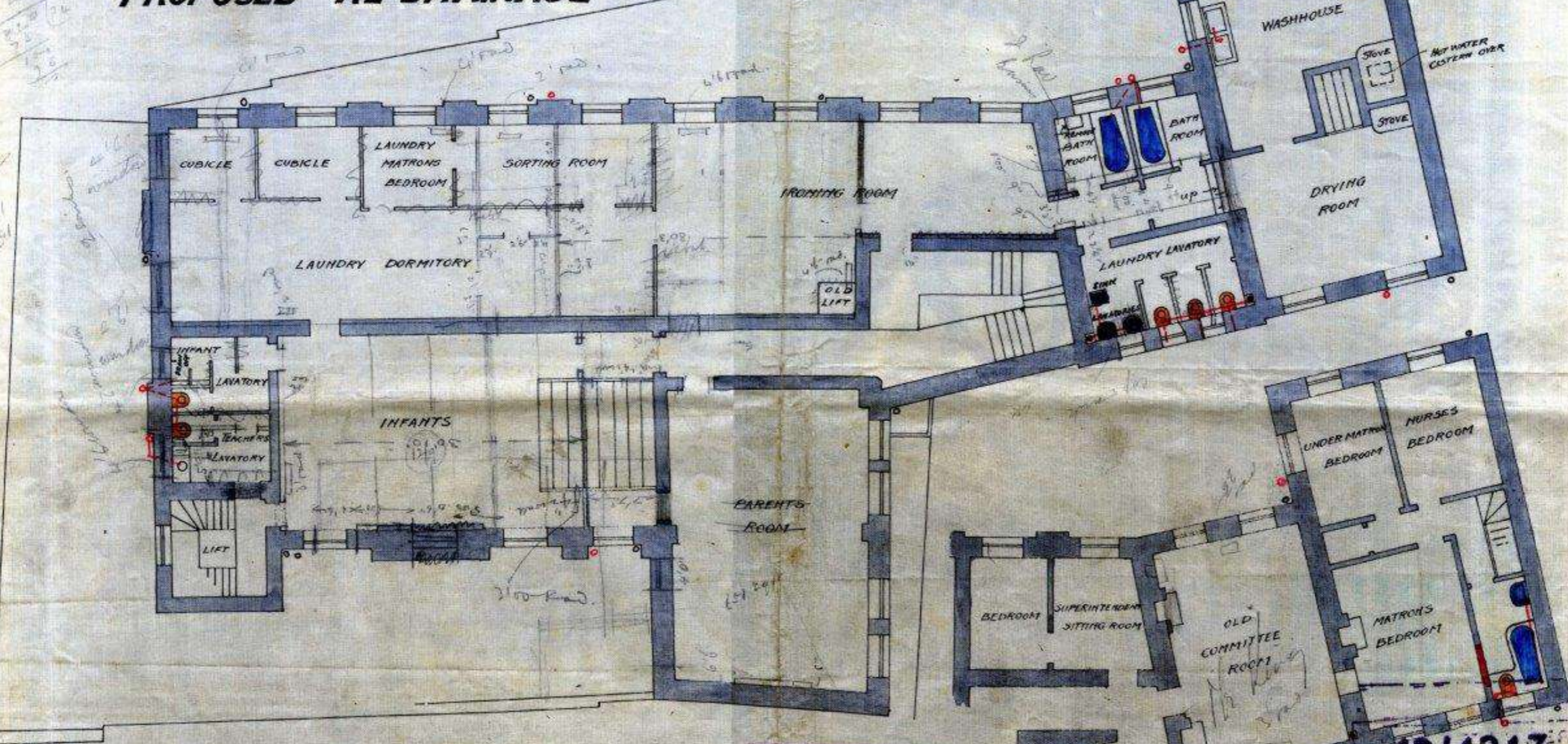


FIELD LANE INSTITUTION
VINE STREET CLERKENWELL ROAD
PROPOSED RE-DRAINAGE

3.



FIRST FLOOR

MEZZANINE FLOOR BETWEEN 1ST & 2ND FLOORS

THIS IS ONE OF THE DRAWINGS REFERRED TO IN THE CONTRACT DATED 30 July 1912

Edwin Langley & Co

E. H. Payne
 ARCHITECT

E. HARDING PAYNE A.R.I.B.A.
 HON. ARCHITECT
 11 JOHN STREET
 15-7-12 BEDFORD ROW W.C.

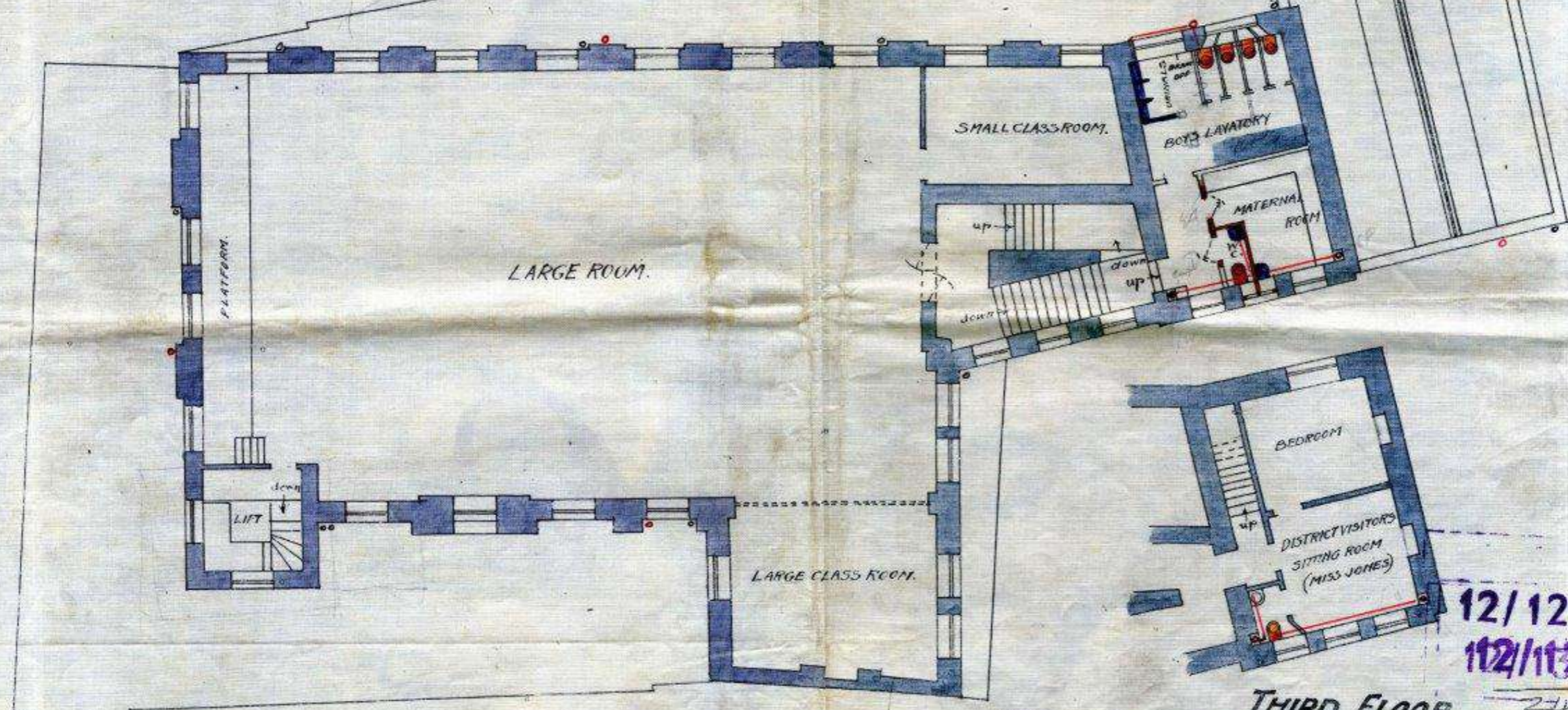
SCALE OF 10 20 30 40 50 FEET

12/1213
 12013273

No 1169 E.

FIELD LANE INSTITUTION
VINE STREET CLERKENWELL ROAD
PROPOSED RE-DRAINAGE

4.



SECOND FLOOR

THIRD FLOOR

THIS IS ONE OF THE DRAWINGS
 REFERRED TO IN THE CONTRACT
 DATED 30 July 1912

E. Harding Payne
 ARCHITECT

E. HARDING PAYNE A.R.I.B.A.
 HON. ARCHITECT
 11 JOHN STREET
 15-7-12 BEDFORD ROW W.C.

12/1213
 112/112113

SCALE OF 10 20 30 40 50 FEET

1170 E.

Appendix C

Bomb damage maps

b



Appendix D

Historic maps



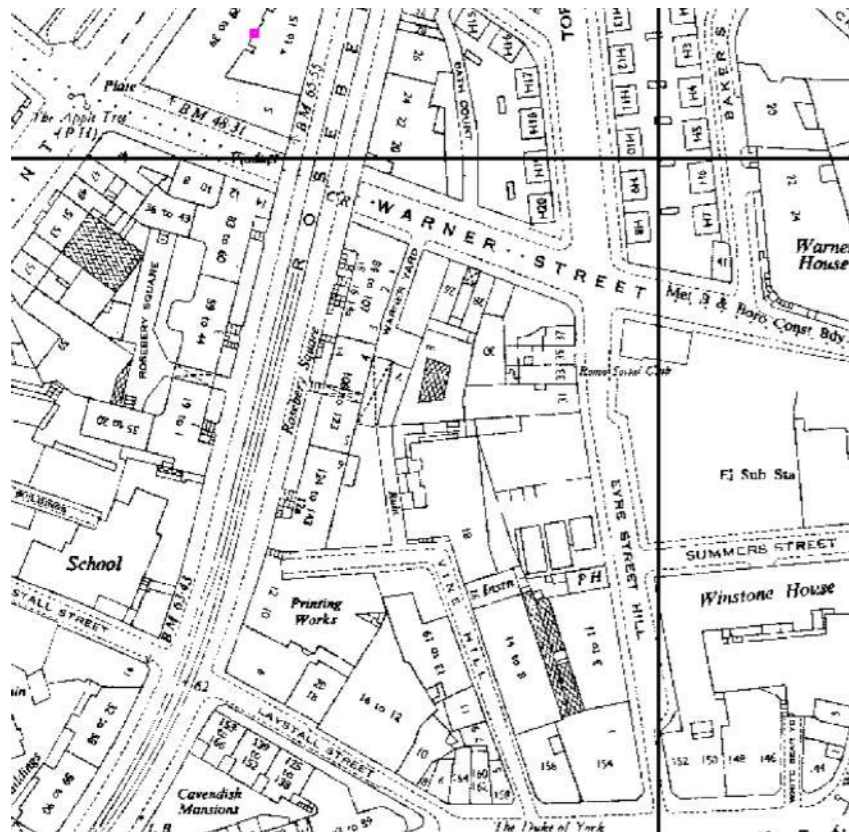
Published 1874-1875



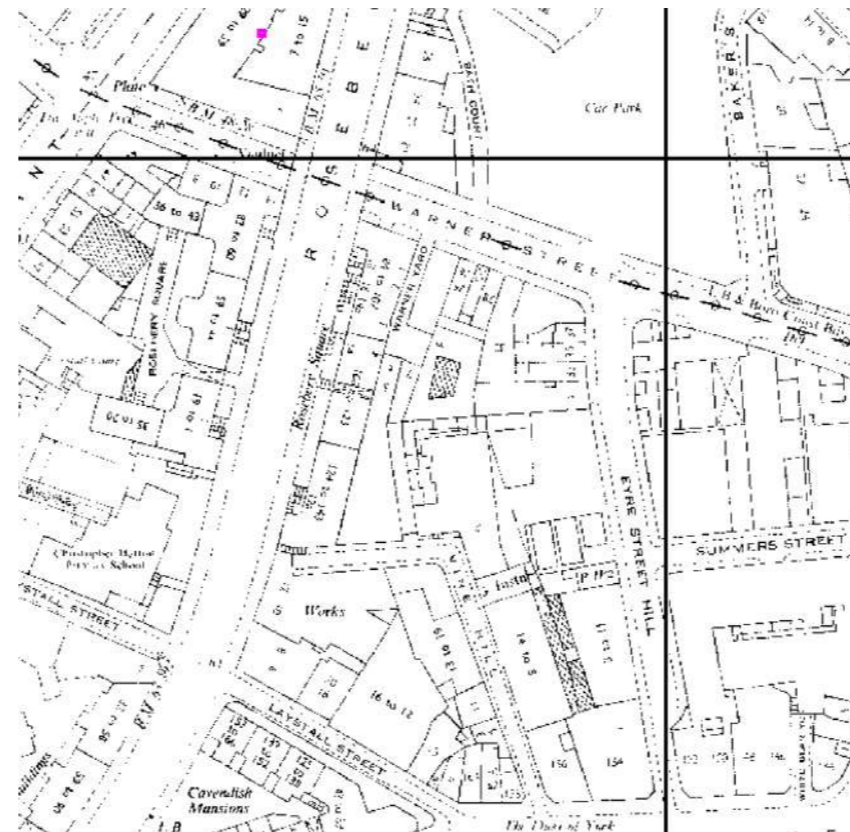
Published 1896



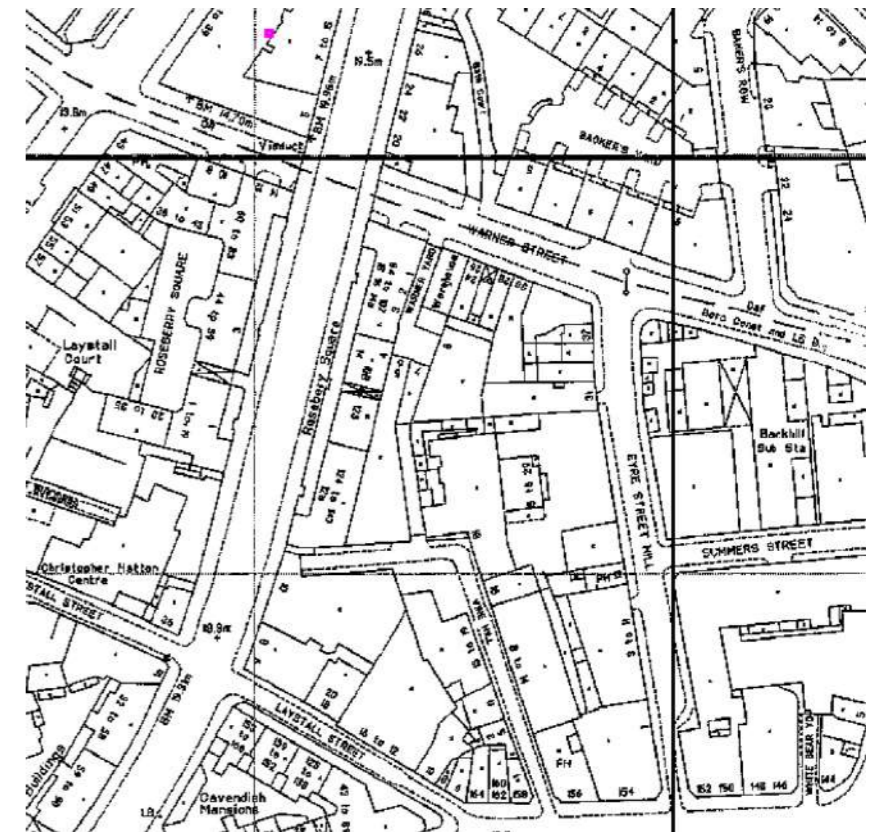
Published 1916



Published 1952-1953



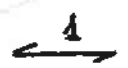
Published 1958-1971




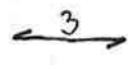
Published 1992-1995


Appendix E

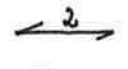
Intrusive investigations

- 


230 x 75 timber joists @ 400 c/c
- 

140 x 75 timber joists @ 400 c/c
- 

? x 60 filler joists @ ? c/c
- 

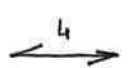
filler joists @ 600 c/c
- 

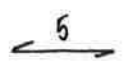
270 x 75 timber joists @ 500 c/c
- B1

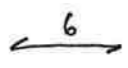
355 x 150 beam
- 

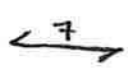
1 → 150 x 60 timber joists @ 400 c/c

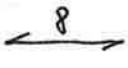
2 → 220 x 100 joists @ 2000 c/c
- B2

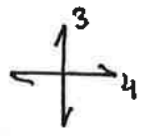
205 x 205 beam (relatively recent)
- 

? x ? filler joists @ ? c/c
- 

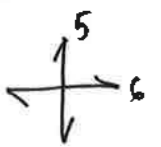
90 mm wide filler joists @ 600 c/c
- 

275 x 75 timber joists @ 400 c/c
- 

? x 60 filler joists @ ? c/c
- 

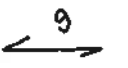
280 x 70 timber joists @ 350 c/c
- 


3 → 130 x 60 timber joists @ 400 c/c

4 → 240 x 100 timber joists @ 2000 c/c
- 

5 → 130 x 60 timber joists @ 400 c/c

6 → 220 x 100 timber @ 2000 c/c
- B3

140 x ? beam (could be original section)
- 

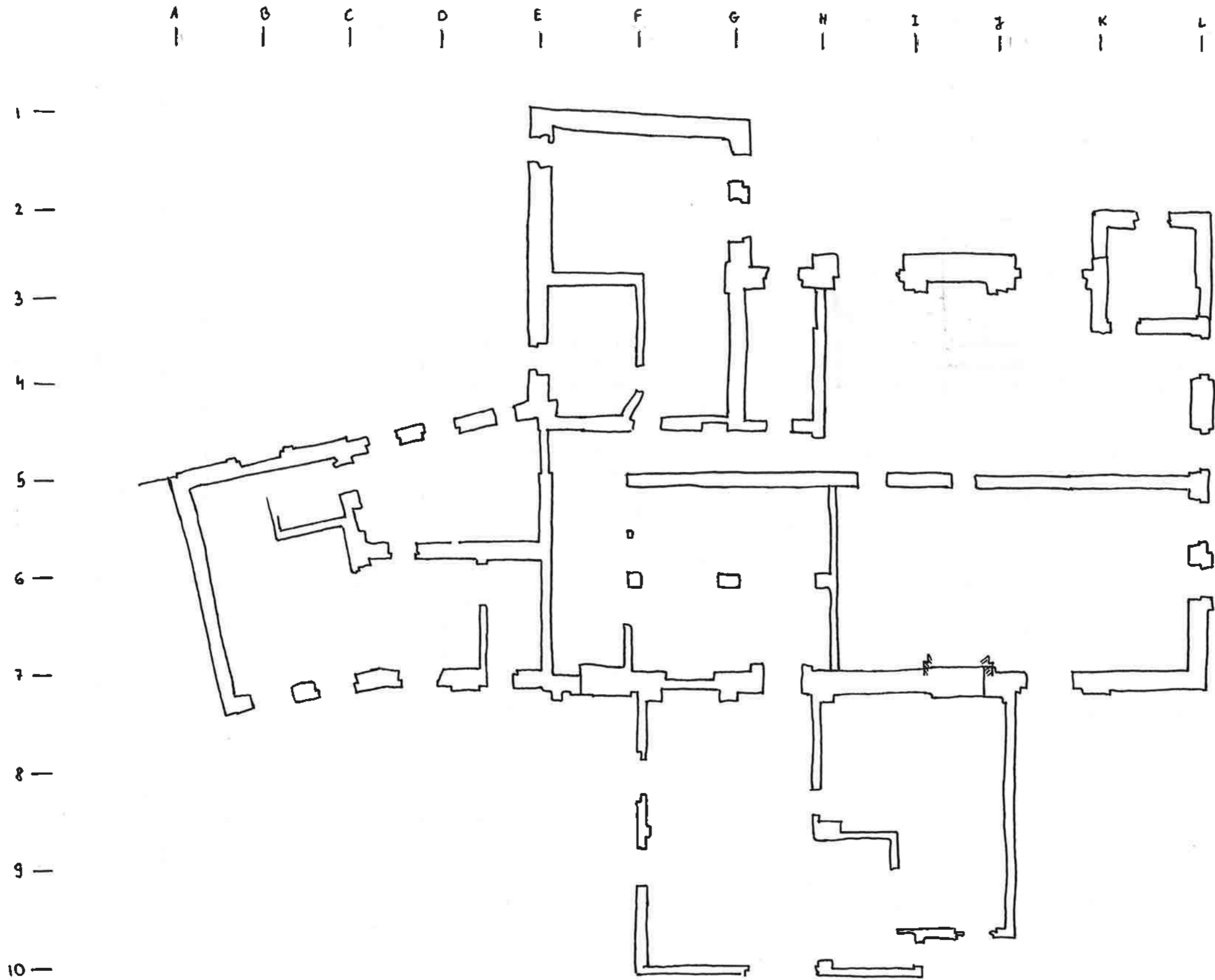
64 mm wide filler joists @ 600 c/c
- 

7 → 140 x 60 timber joists @ 400 c/c

8 → 260 x 85 timber joists @ 2000 c/c
- B4

380 x 140 beam
- B5

355 x 140 beam



Job Ragged School

Date 02.10.2018

Title Lower Ground Floor

Eng. JM

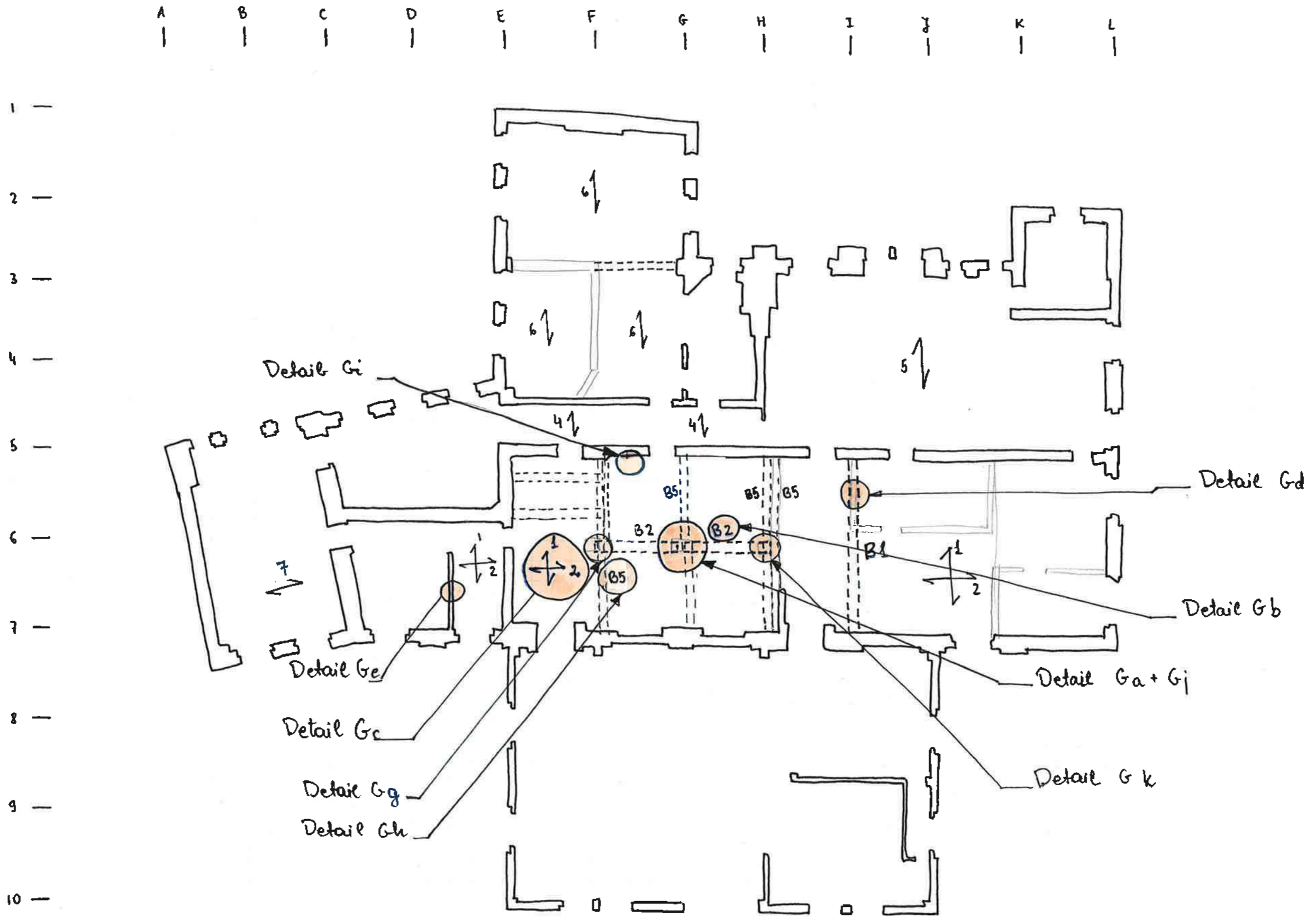
Job No. 1814

Sheet

Rev.

Job	Ragged School	Date	
Title	Lower ground details	Eng.	JM
Job No.	1814	Sheet	Rev.





Job Ragged School

Date 02.10.2018

Title Ground Floor

Eng. JM

Job No. 1814

Sheet

Rev.

Job Ragged school

Date 11.10.18

Title Ground floor beam layout

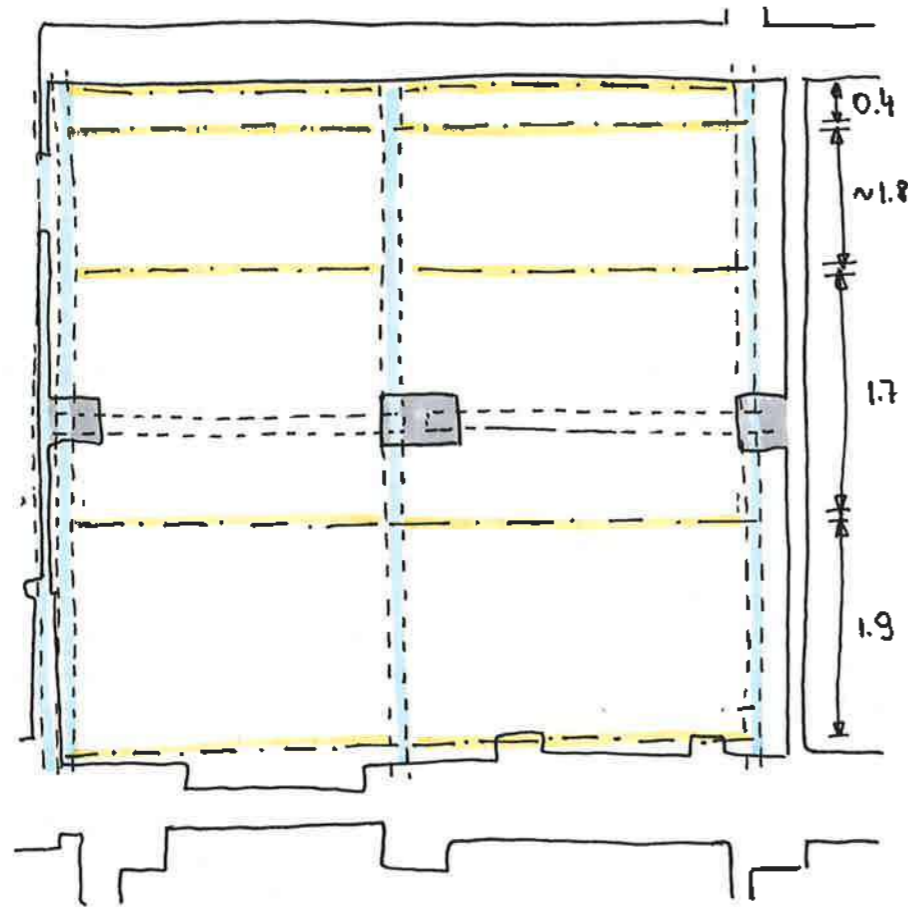
Eng. JM

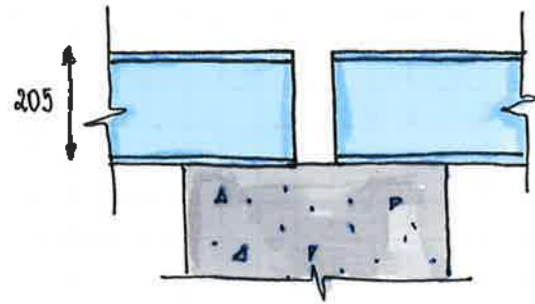
Job No. 1814

Sheet

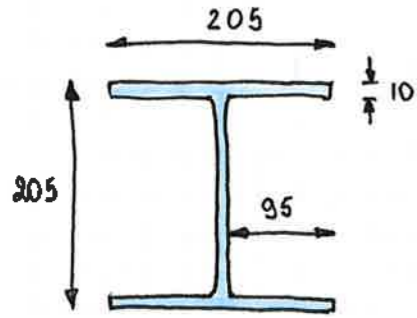
Rev.

**HEYNE
TILLET
STEEL**





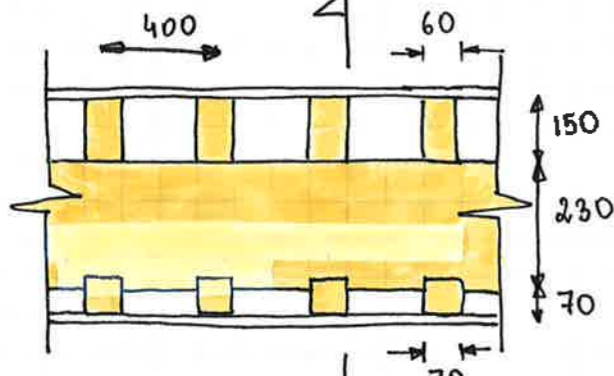
Detail Ga



Detail Gb

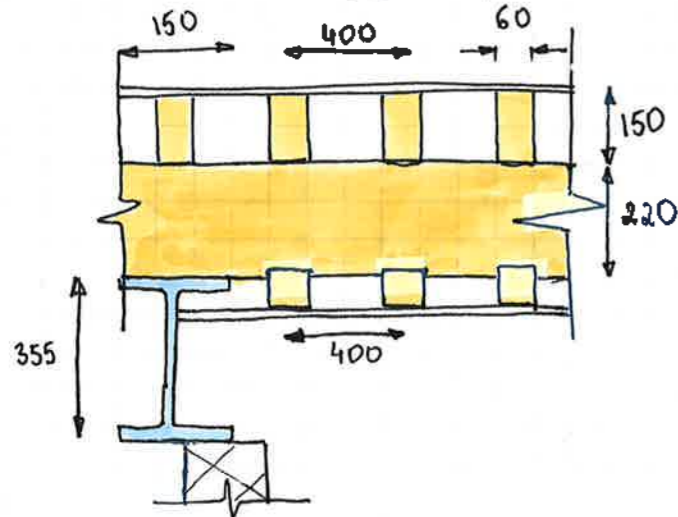
beam B2

Detail Gf

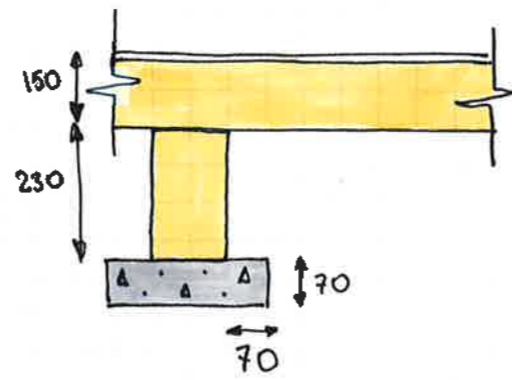


Detail Gc

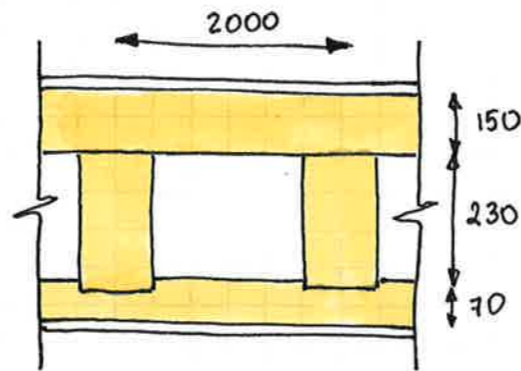
Detail Gf



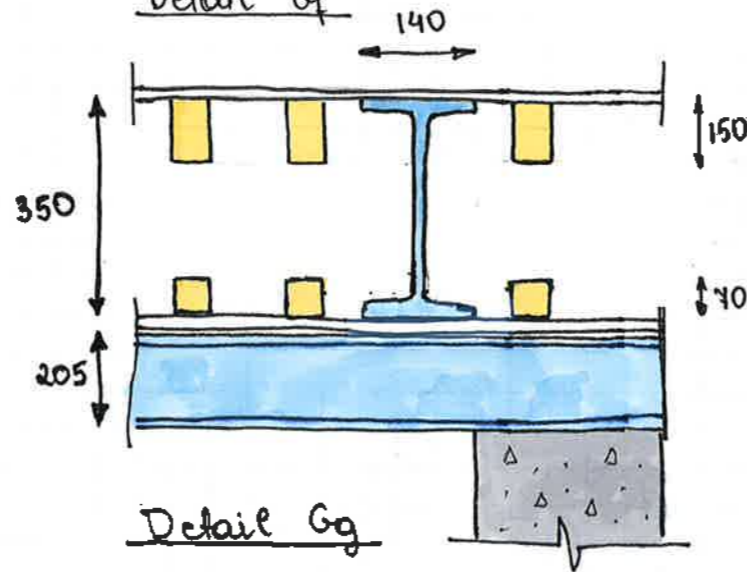
Detail Gd



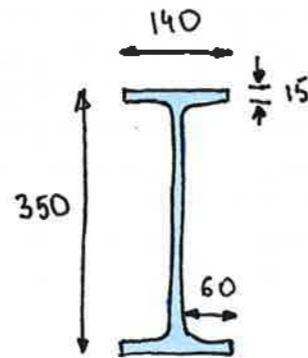
Detail Ge



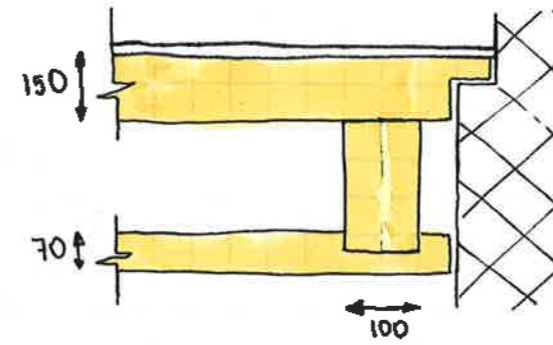
Detail Gf



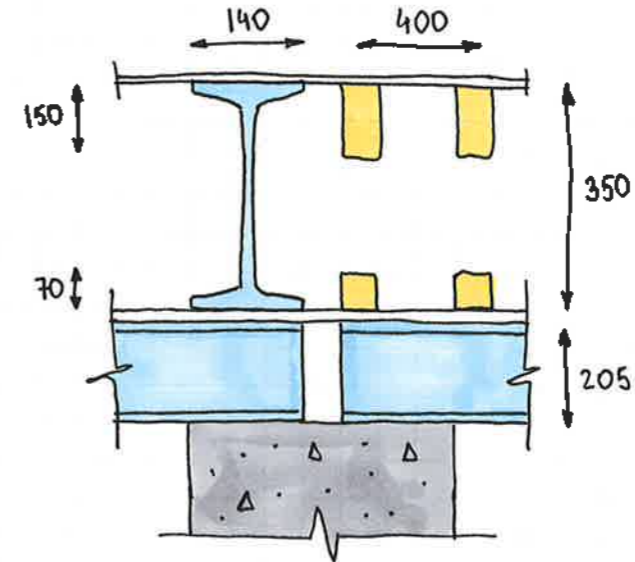
Detail Gg



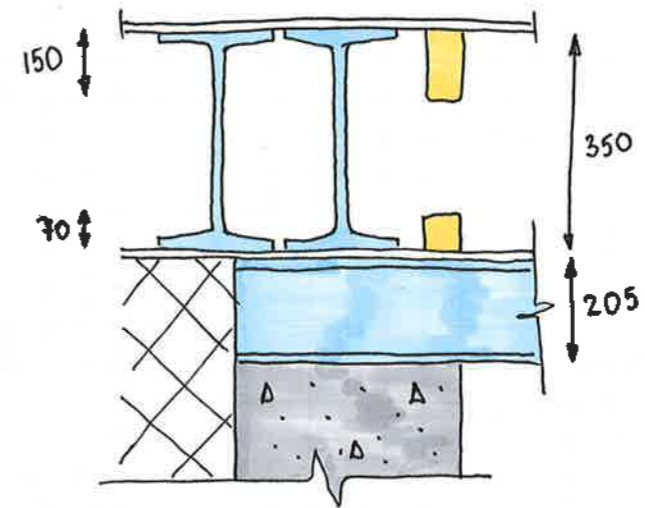
Detail Gh



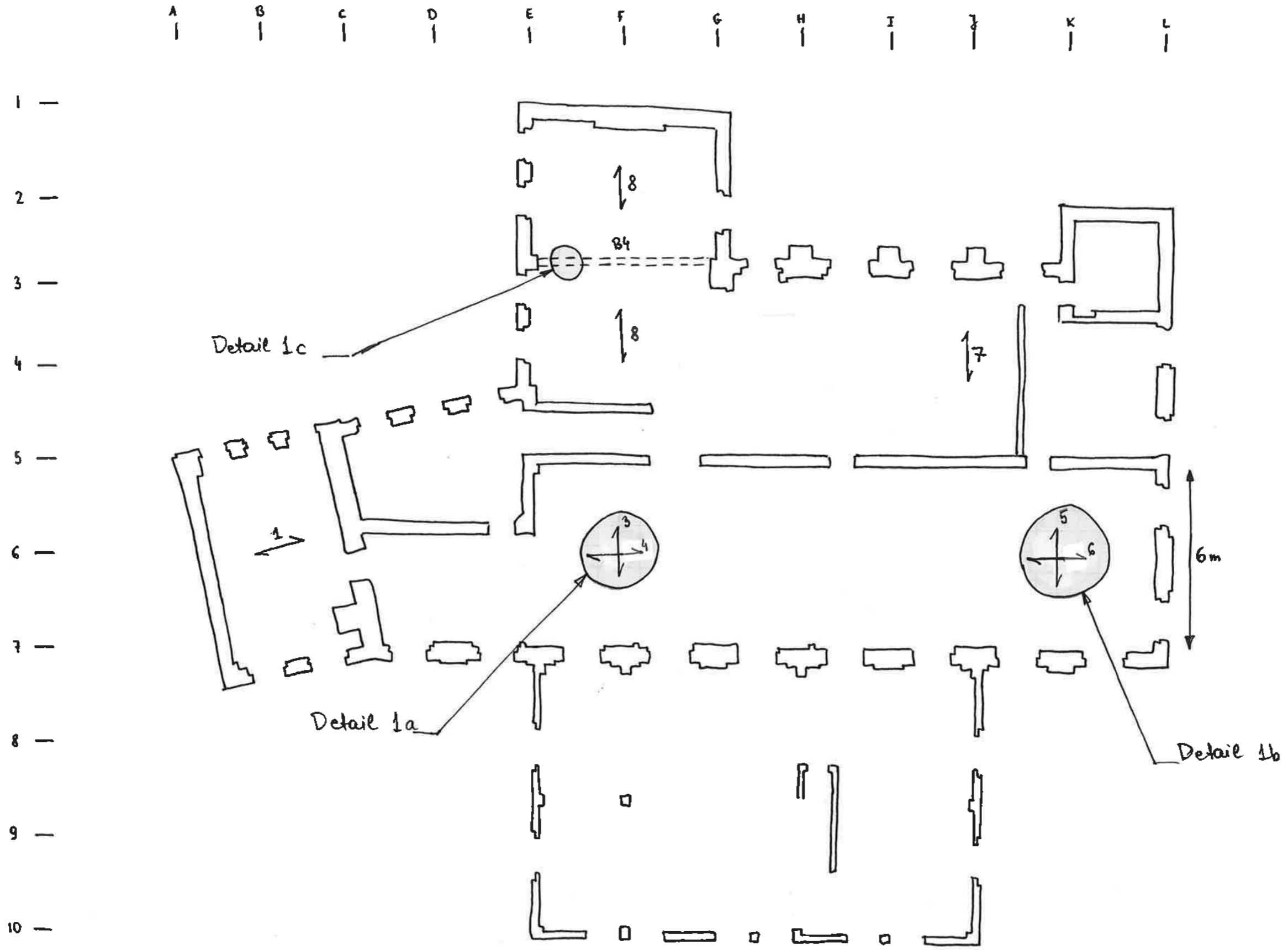
Detail Gi



Detail Gj



Detail Gk



Job Ragged School

Date 02.10.2018

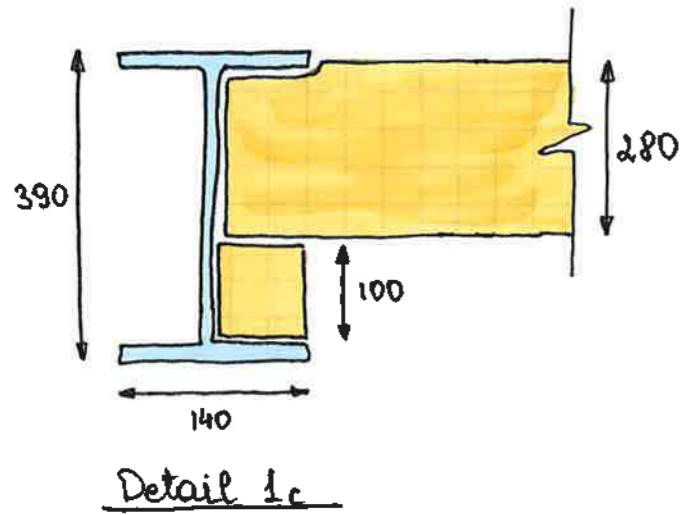
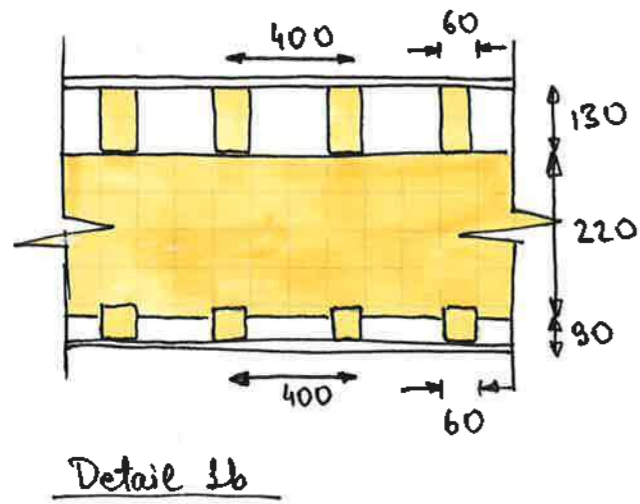
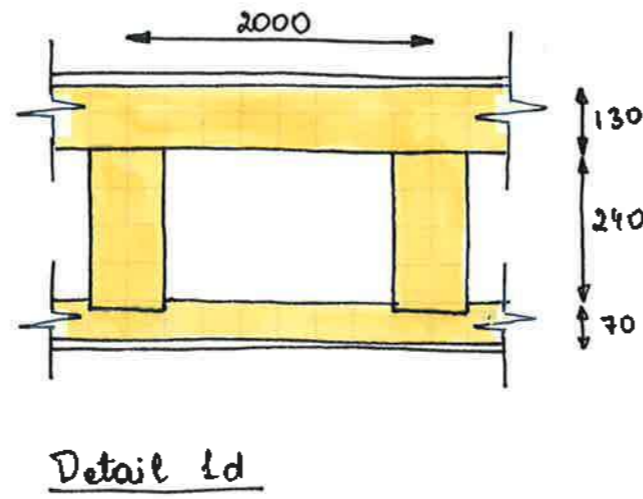
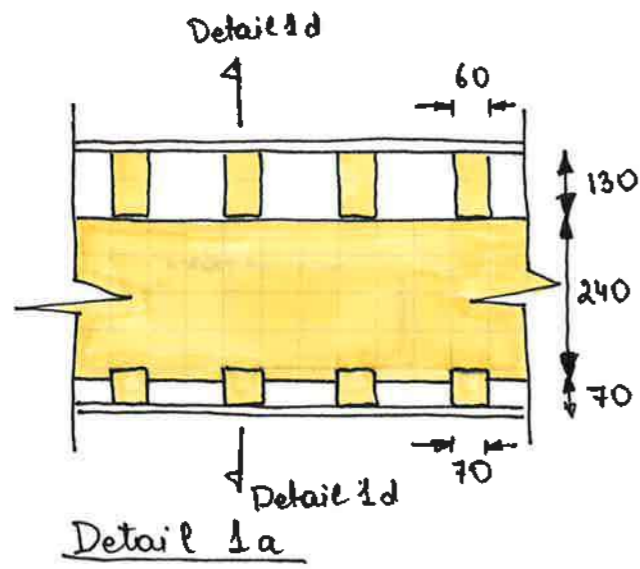
Title First Floor

Eng. JM

Job No. 1814

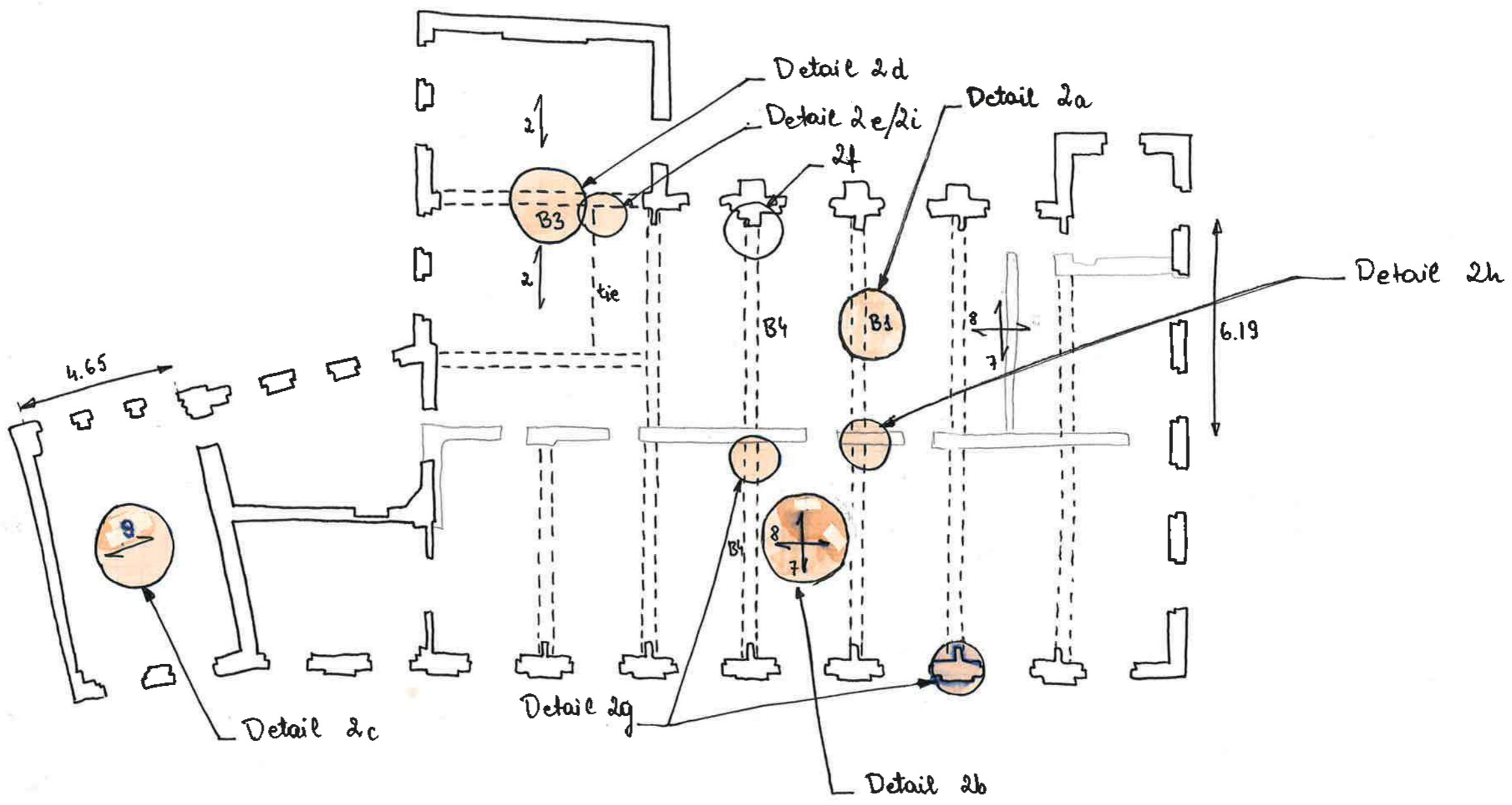
Sheet

Rev.



A | B | C | D | E | F | G | H | I | J | K | L

1 —
2 —
3 —
4 —
5 —
6 —
7 —
8 —
9 —
10 —



Job Ragged School

Title Second Floor

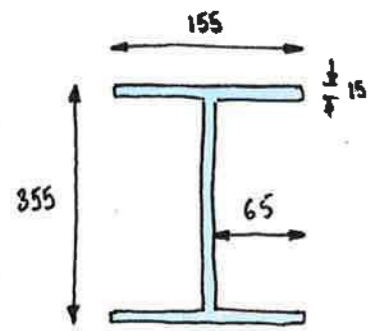
Job No. 1814

Date 02.10.2018

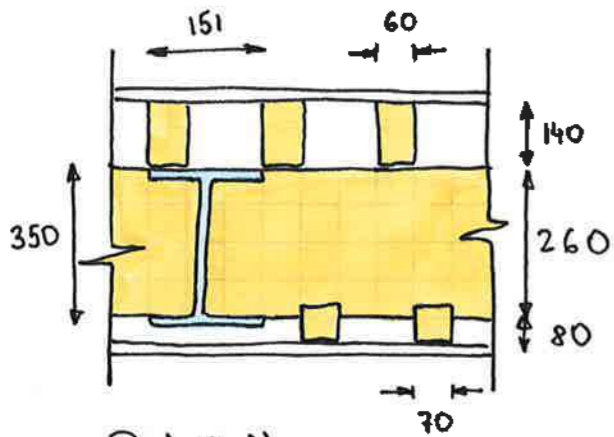
Eng. JM

Sheet

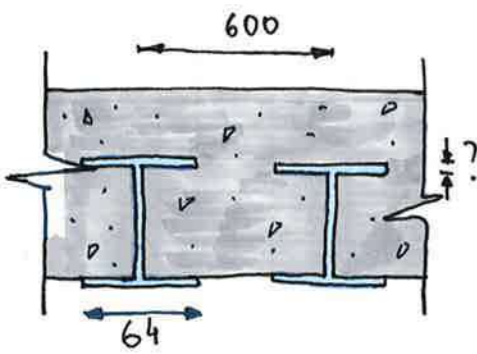
Rev.



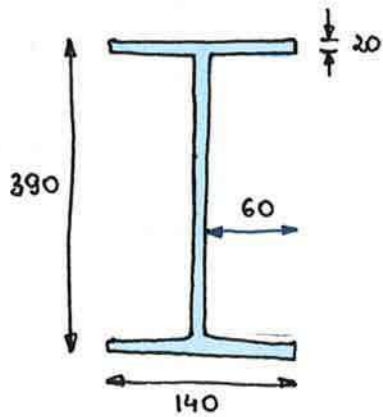
Detail 2a



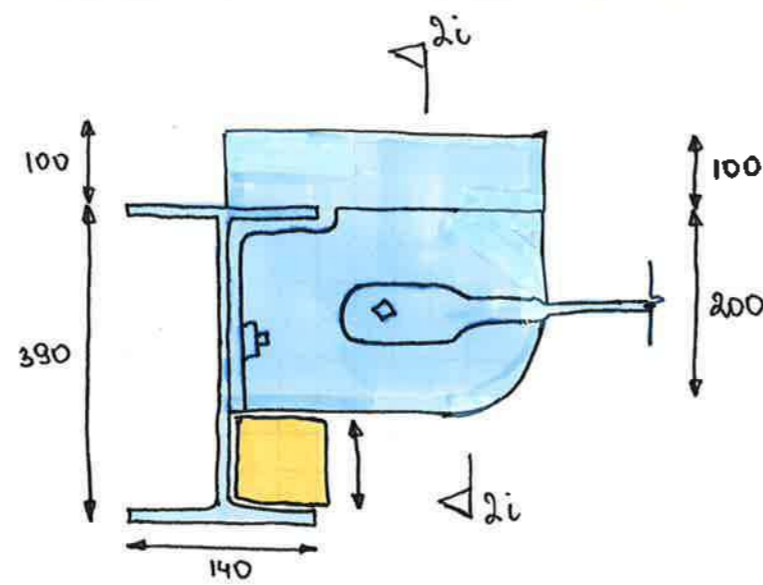
Detail 2b



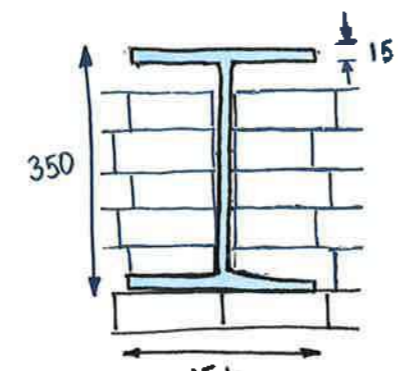
Detail 2c



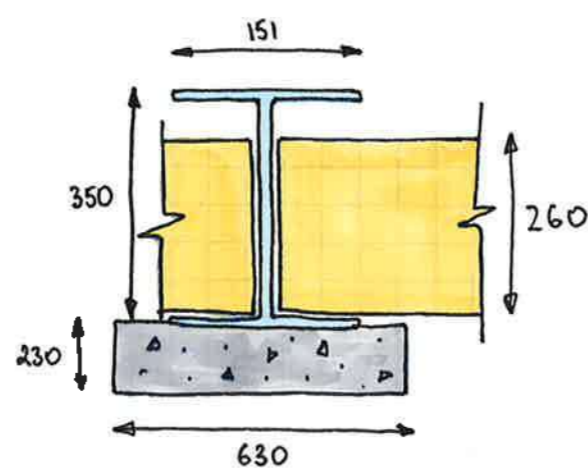
Detail 2d



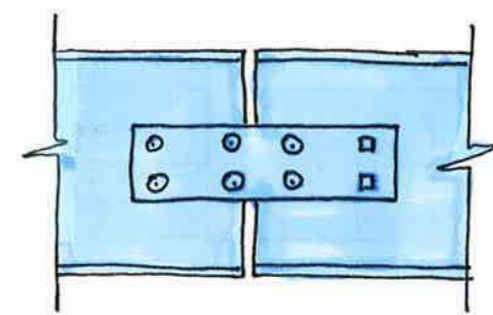
Detail 2e



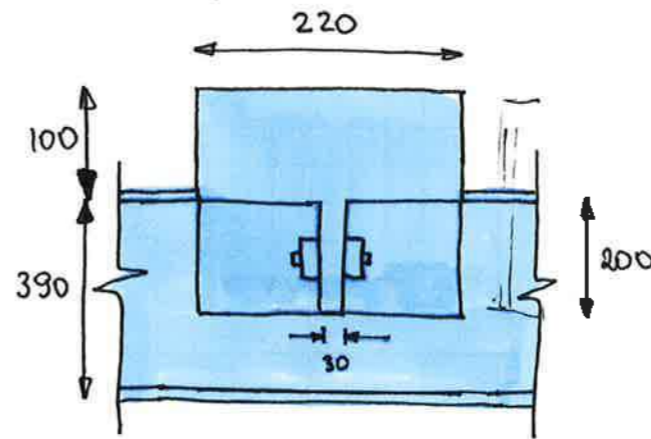
Detail 2f



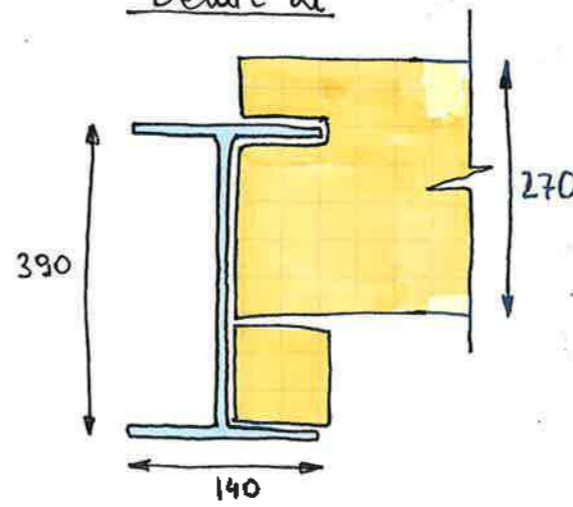
Detail 2g



Detail 2h



Detail 2i



Appendix F

Measured survey



Sources:
 Levels are related to Ordnance Survey Datum via GPS Observations
 Survey location is related to Ordnance Survey Grid via GPS Observations.
 All information contained in this drawing (including digital data) should be checked and verified prior to any fabrication or construction.

Stations:

Key:	A/C Air Conditioning Unit	PO Post
	B Bollard	RL Ridge Level
	BP Brick Paving	SRFC Surface Change
	BT BT Inspection Cover	S/O Smoke Outlet
	CATV Cable Television Inspection Cover	SV Stop Valve
	CPS Concrete Paving Slab	TCB Telephone Call Box
	DK Dropped Kerb	TP Tactile Paving
	DP Down Pipe	W Water Inspection Cover
	EL Eaves Level	WM Water Meter
	FH Fire Hydrant	
	G Gully	
	GP Gate Post	
	IC Inspection Cover	
	ILB Illuminated Bollard	
	IRS Illuminated Road Sign	
	JB Junction Box	
	LP Lamp Post	
	MH Man Hole Cover	
	PB Post Box	
	PL Pavement Light	



Project: 18 Vine Hill

Drawn By: SB

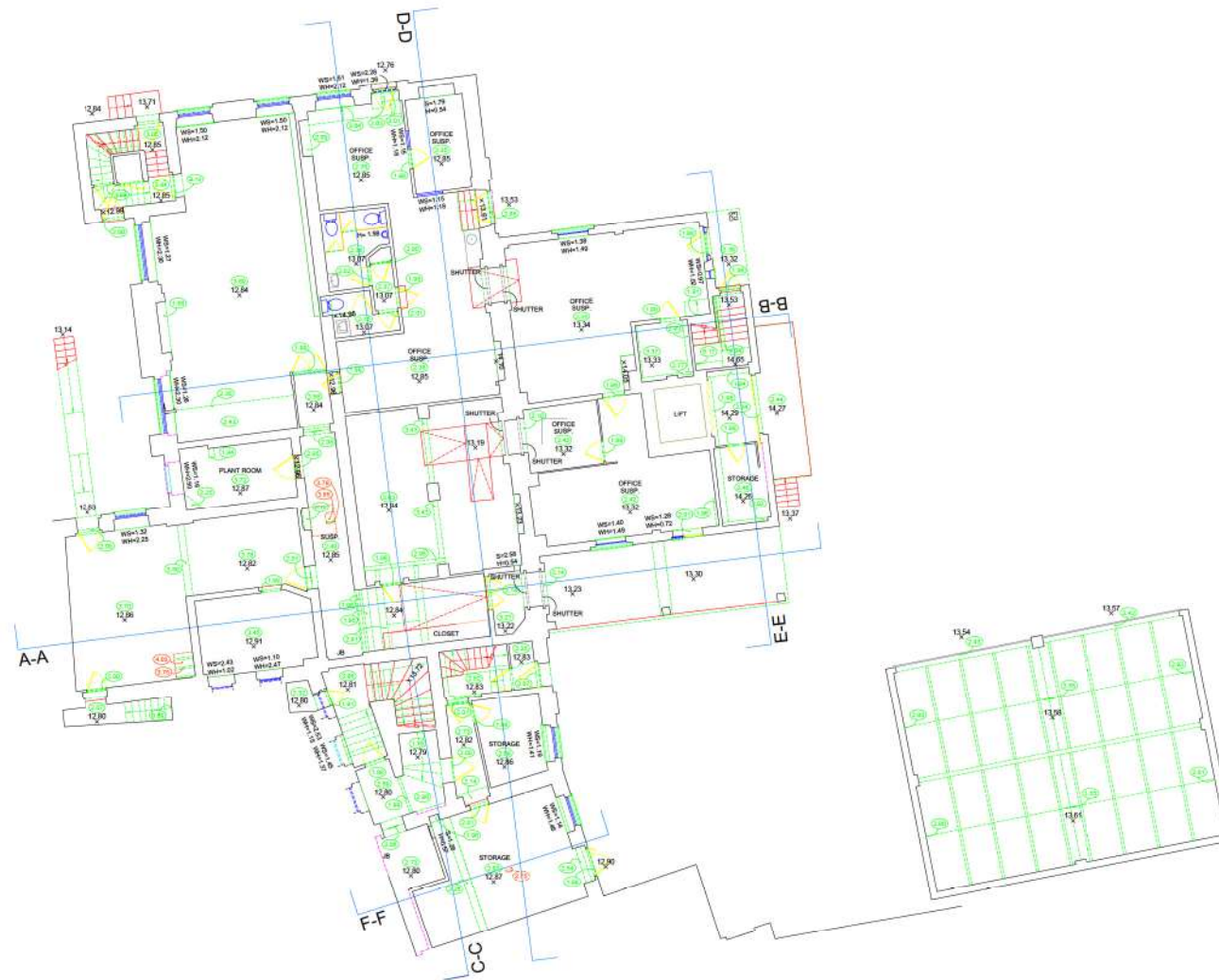
Scale: 1:100 @ A0

Date: April 2018

Title: Topographic Survey

Dwg No: LS2044/T/01

Point 2 Surveyors Ltd,
 3rd Floor,
 17 Slingsby Place,
 London WC2E 9AB,
 0207 836 5828
 www.point2surveyors.com

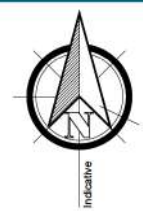


Sources:
Levels are related to Ordnance Survey Datum via GPS Observations

Survey location is related to Ordnance Survey Grid via GPS Observations.

All information contained in this drawing (including digital data) should be checked and verified prior to any fabrication or construction.

- Key:
- WS Floor to Window Sill Height
 - WH Window Sill to Head Height
 - 2.30 Floor to Finished Ceiling Height
 - x Finished Floor Level
 - FC False Ceiling
 - G Gully
 - IC Inspection Cover
 - V Vent
 - A/C Air Conditioning Unit
 - H Height



Project: 18 Vine Hill

Drawn By: SB Scale: 1:100 @ A0 Date: July 2018

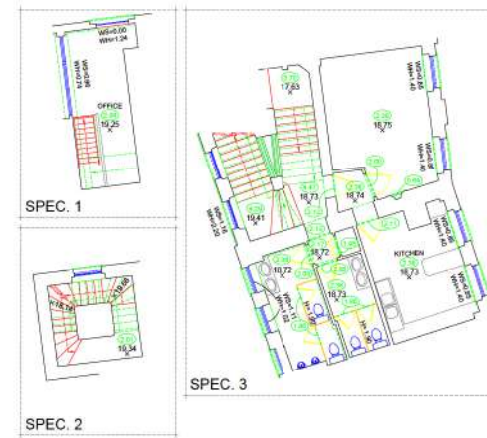
Title: Lower Ground Floor Plan

RevA: Additional Invasive Survey Details

Dwg No: LS2044/LG/01

Point 2 Surveyors Ltd,
3rd Floor,
17 Slingsby Place,
London WC2E 9AB,
0207 836 5828
www.point2surveyors.com





182120
031110

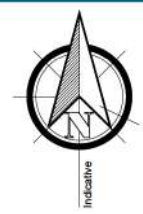
182120
031110

Sources:
Levels are related to Ordnance Survey Datum via GPS Observations

Survey location is related to Ordnance Survey Grid via GPS Observations.

All information contained in this drawing (including digital data) should be checked and verified prior to any fabrication or construction.

Key:
WS Floor to Window Sill Height
WH Window Sill to Head Height
2.30 Floor to Finished Ceiling Height
10.00 Finished Floor Level
FC False Ceiling
G Gully
IC Inspection Cover
V Vent
A/C Air Conditioning Unit
H Height



Project: 18 Vine Hill

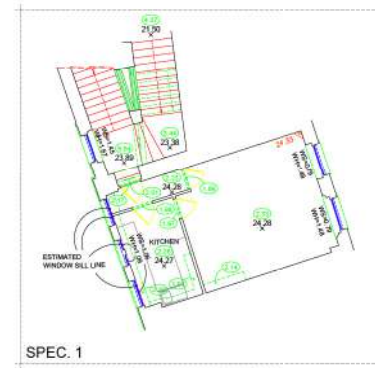
Drawn By: SB
Scale: 1:100 @ A0
Date: July 2018

Title: Ground Floor Plan

RevA: Additional Invasive Survey Details

Dwg No: LS2044/G/01_RevA

Point 2 Surveyors Ltd,
3rd Floor,
17 Slingsby Place,
London WC2E 9AB,
0207 836 5828
www.point2surveyors.com



182120
031110

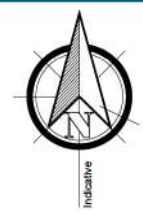
182120
031110

Sources:
Levels are related to Ordnance Survey Datum via GPS Observations

Survey location is related to Ordnance Survey Grid via GPS Observations.

All information contained in this drawing (including digital data) should be checked and verified prior to any fabrication or construction.

- Key:
- WS Floor to Window Sill Height
 - WH Window Sill to Head Height
 - 2.30 Floor to Finished Ceiling Height
 - 10.00 Finished Floor Level
 - FC False Ceiling
 - G Gully
 - IC Inspection Cover
 - V Vent
 - A/C Air Conditioning Unit
 - H Height



Project: 18 Vine Hill

Title: First Floor Plan

Point 2 Surveyors Ltd,
3rd Floor,
17 Slingsby Place,
London WC2E 9AB,
0207 836 5828
www.point2surveyors.com

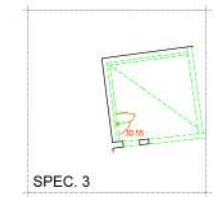
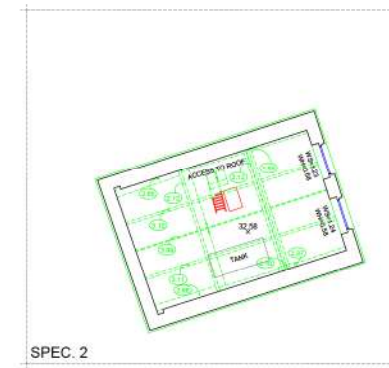
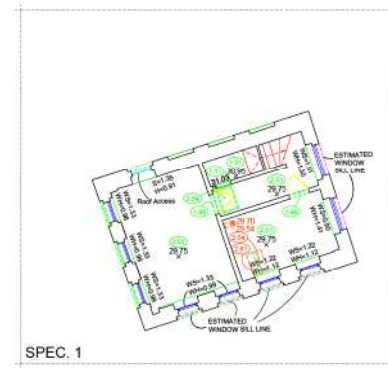


Drawn By: SB

Scale: 1:100 @ A0

Date: April 2018

Dwg No: LS2044/1/01



Sources:
Levels are related to Ordnance Survey Datum via GPS Observations
Survey location is related to Ordnance Survey Grid via GPS Observations.
All information contained in this drawing (including digital data) should be checked and verified prior to any fabrication or construction.

Key:
WS Floor to Window Sill Height
WH Window Sill to Head Height
2.30 Floor to Finished Ceiling Height
10.00 Finished Floor Level
FC False Ceiling
G Gully
IC Inspection Cover
V Vent
A/C Air Conditioning Unit
H Height



Project: 18 Vine Hill

Title: Second Floor Plan

Point 2 Surveyors Ltd,
3rd Floor,
17 Slingsby Place,
London WC2E 9AB,
0207 836 5828
www.point2surveyors.com

RevA: Additional Invasive Survey Details

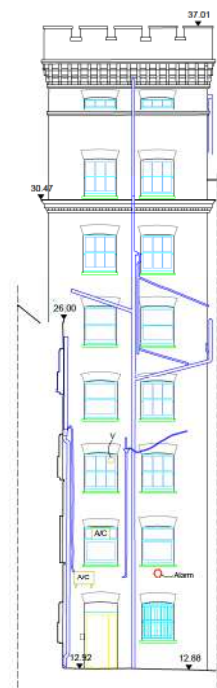


Drawn By: SB

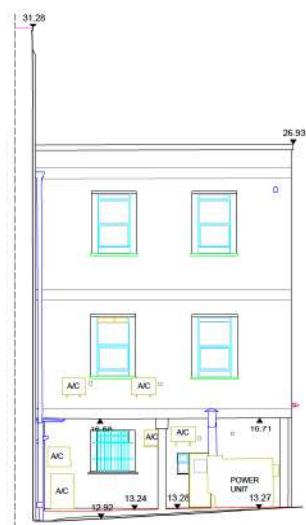
Scale: 1:100 @ A0

Date: July 2018

Dwg No: LS2044/2/01_RevA



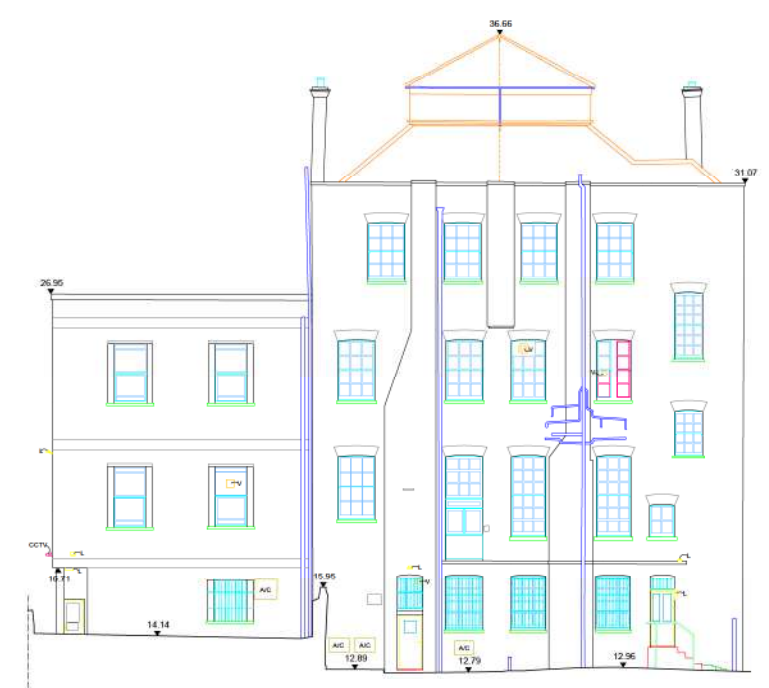
+ 10.00
ELEV. 1



+ 10.00
ELEV. 2



+ 10.00
ELEV. 3



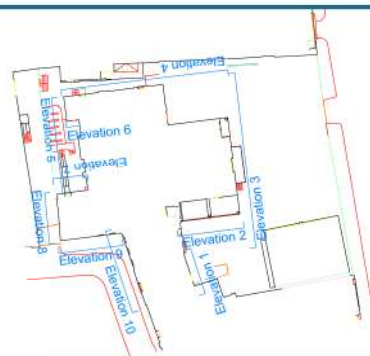
+ 10.00
ELEV. 4

Sources:

Levels are related to Ordnance Survey Datum via GPS Observations

All information contained in this drawing (including digital data) should be checked and verified prior to any fabrication or construction.

Key:



Project: 18 Vine Hill

Title: Site Elevations
Elevations 1-4

RevA: Additions made to roof details for Elev 3 and 5

Point 2 Surveyors Ltd,
3rd Floor,
17 Slingsby Place,
London WC2E 9AB,
0207 836 5828
www.point2surveyors.com



Drawn By: SB

Scale: 1:100 @ A0

Date: April 2018

Dwg No: LS2044/E/01_RevA