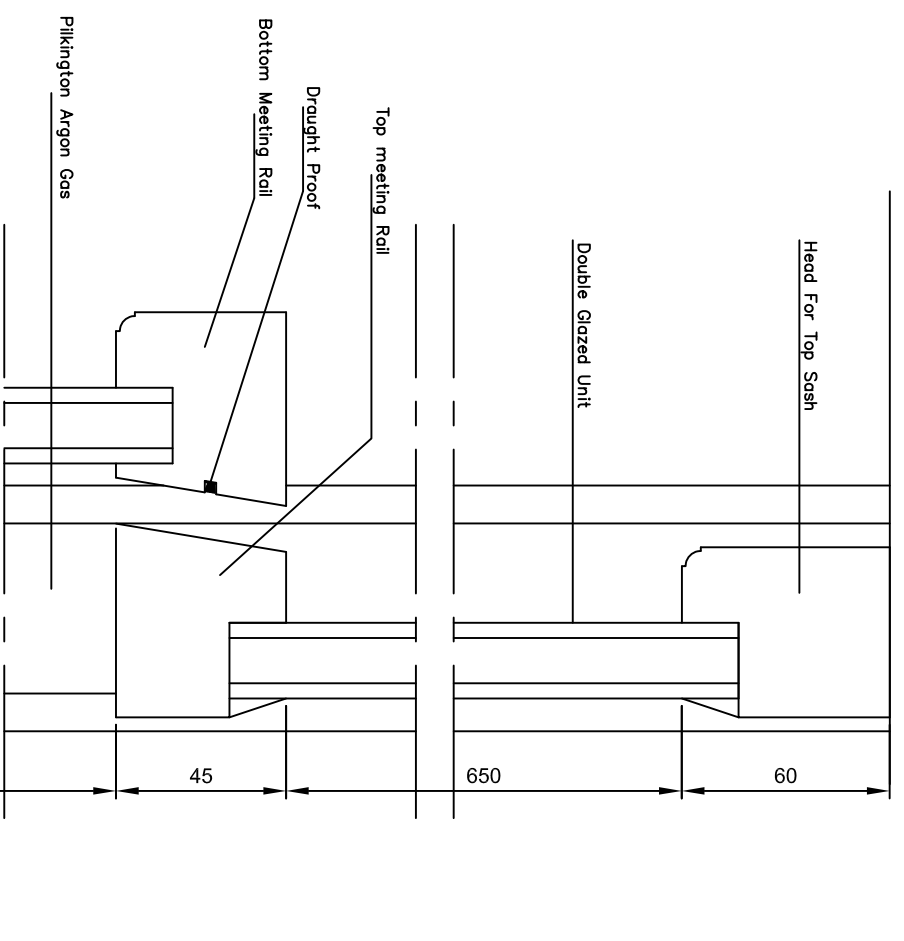
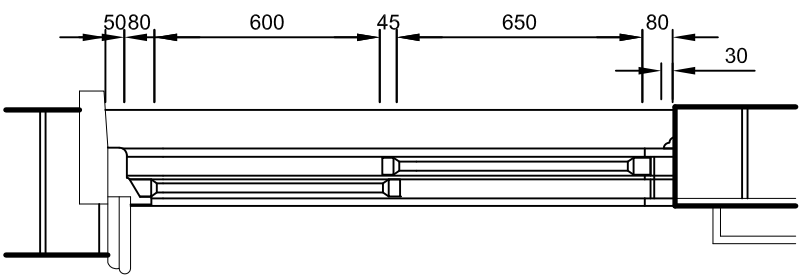


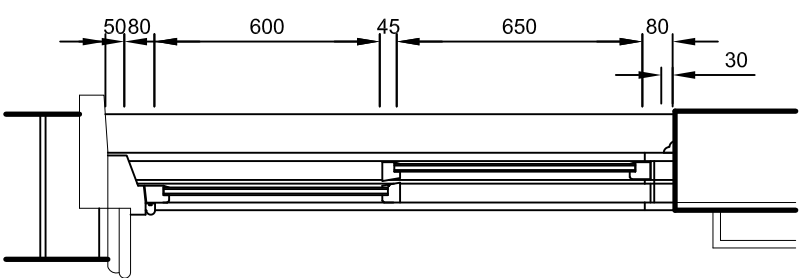
B-B
1:2
PROPOSED TYPICAL WINDOW SECTION



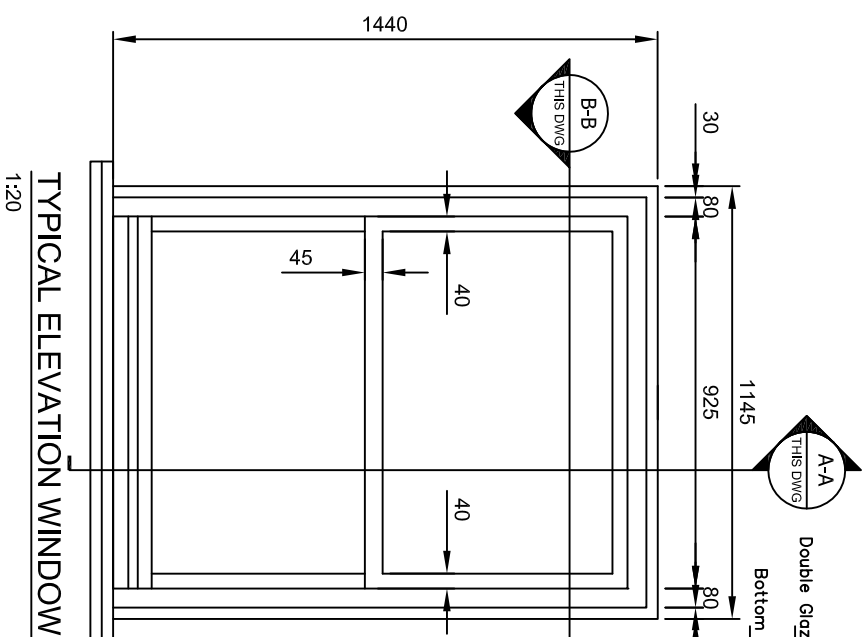
A-A
1:2
PROPOSED TYPICAL WINDOW SECTION



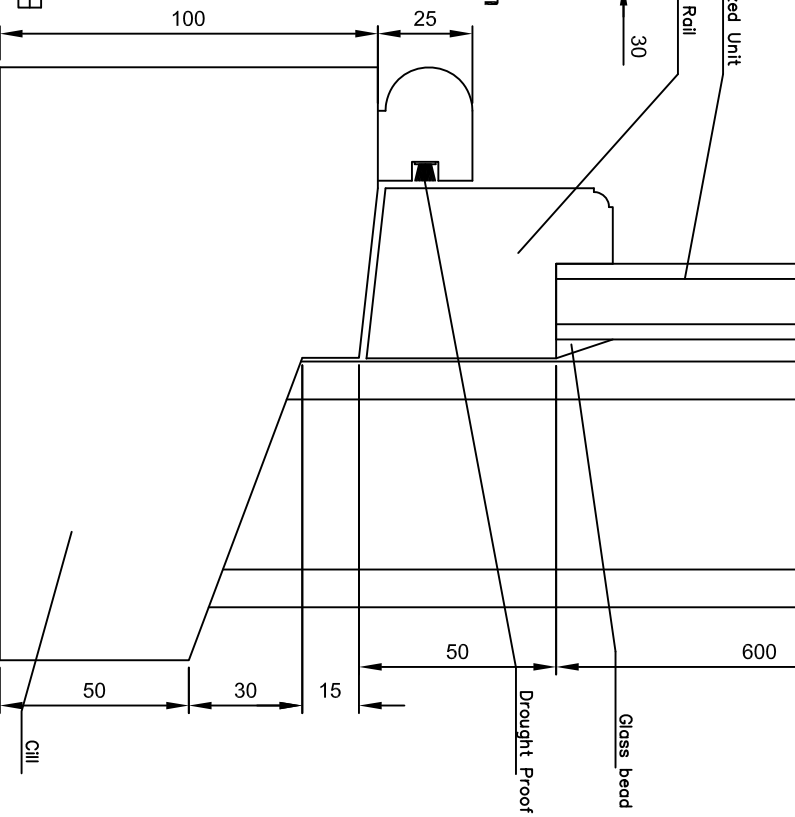
EXISTING TYPICAL WINDOW SECTION
1:20
PAINTED SLIDING SASH TIMBER WINDOW



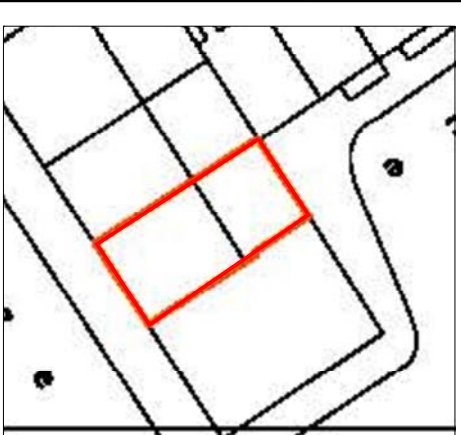
PROPOSED TYPICAL WINDOW SECTION
1:20
PAINTED SLIDING SASH TIMBER WINDOW



1:20
TYPICAL ELEVATION WINDOW



A-A
1:2
PROPOSED TYPICAL WINDOW SECTION



1:500
BLOCK PLAN

REV	DESCRIPTION	DATE

CLIENT:	EUSTON TRUST LTD
PROJECT TITLE:	54 GOODGE STREET, LONDON W1TANA
SCHEME REF:	BSC 1099
DRAWING TITLE:	TYPICAL WINDOW DETAIL OF NEW WOODEN REPLACEMENT WINDOWS
MODELLED BY/DRAWN BY:	E.H.
DATE:	05/01/18
SCALE:	-