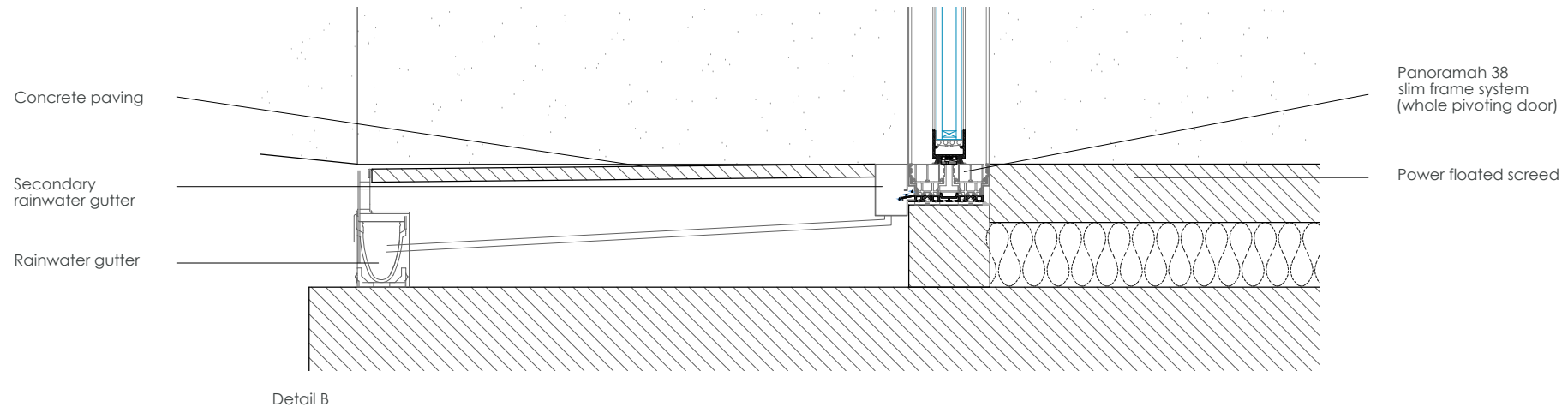
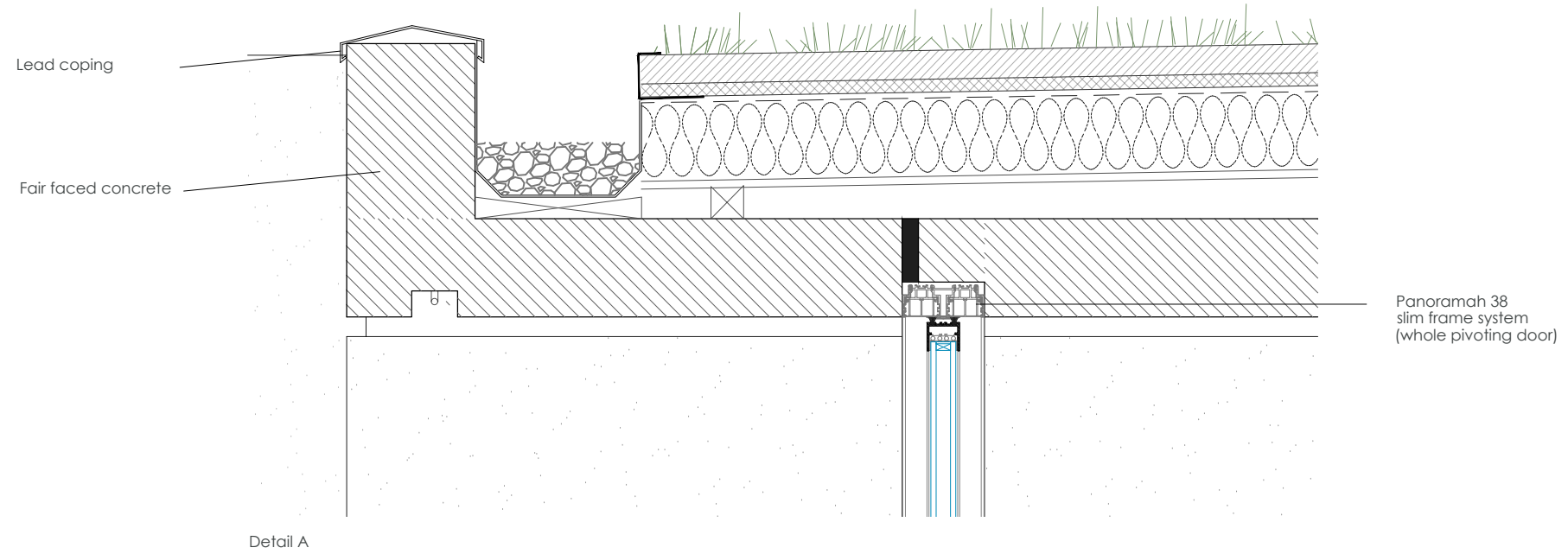
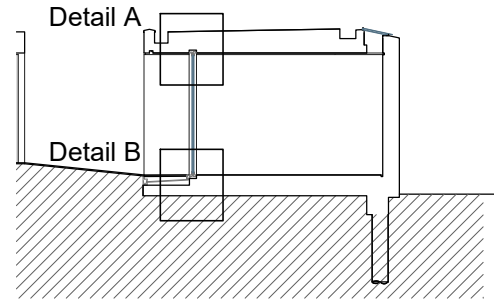
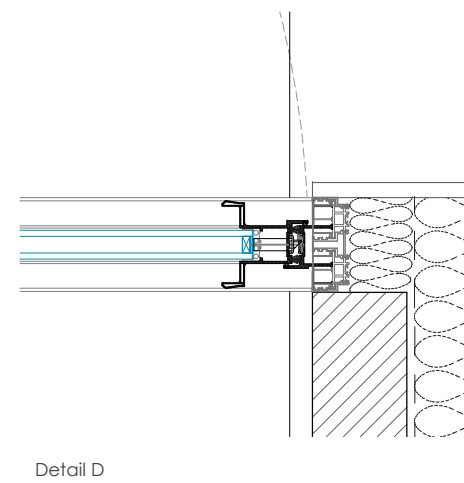
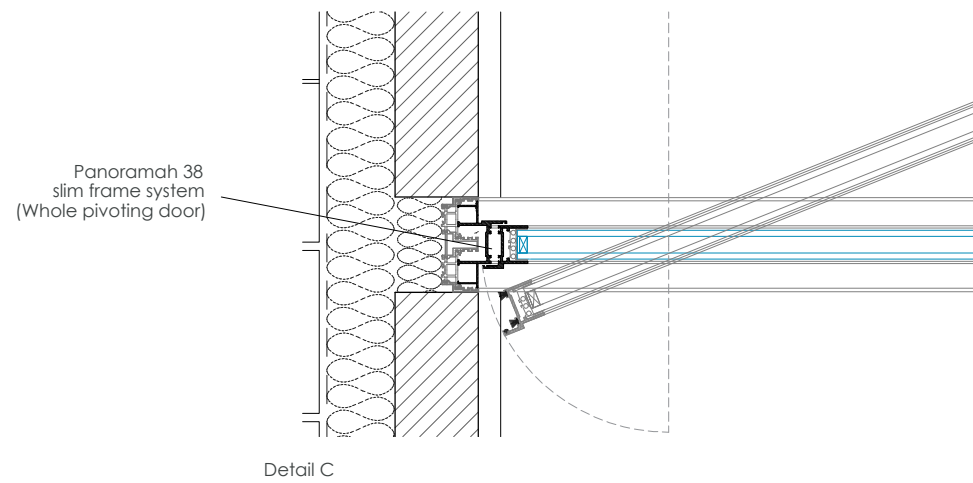
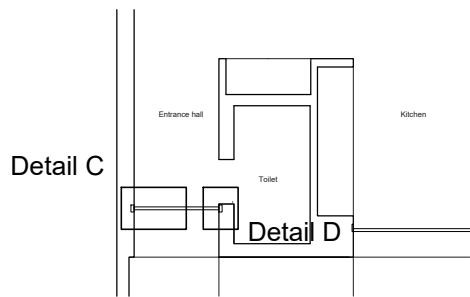


Section details



Floor plan details



Project No.	115 - Ellerdale Road	Date	Rev.	Drawn	Description
Drawing Title	Details. Entrance Pivoting Door	04-12-2018	-	L.E.	Planning. Conditions
Date	November 2018	Scale	1:10 @ A3		
Drawing No.	115 700 PA	Rev.	-		