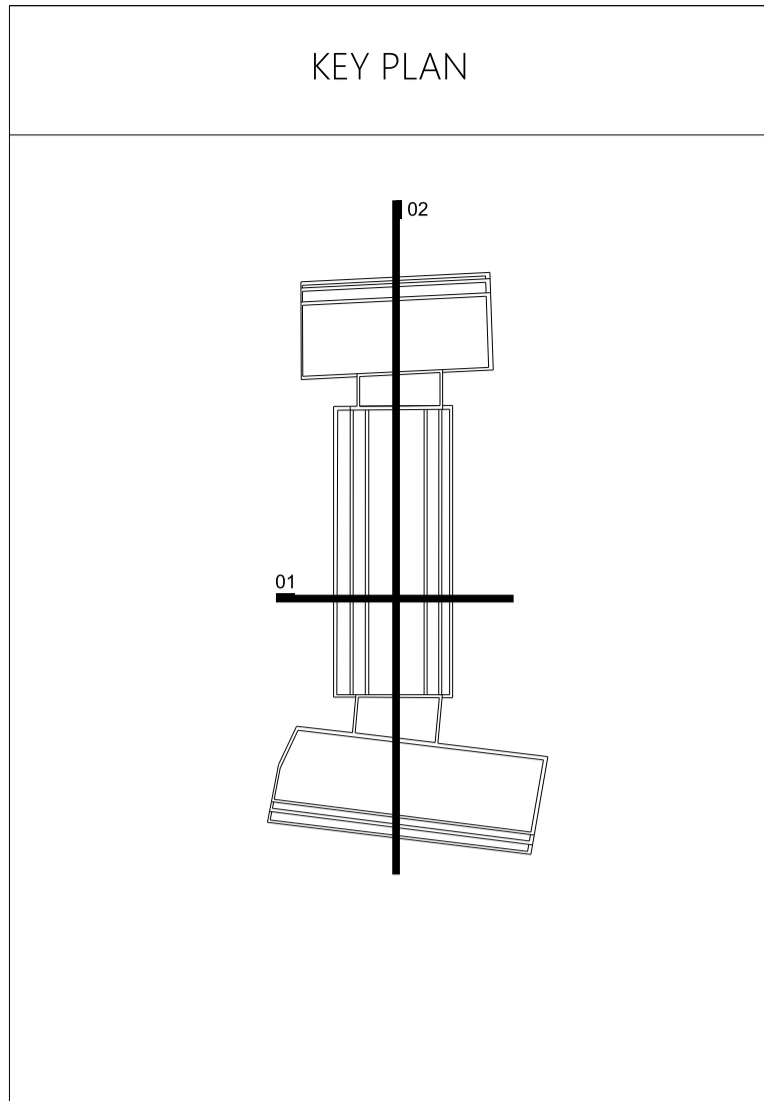
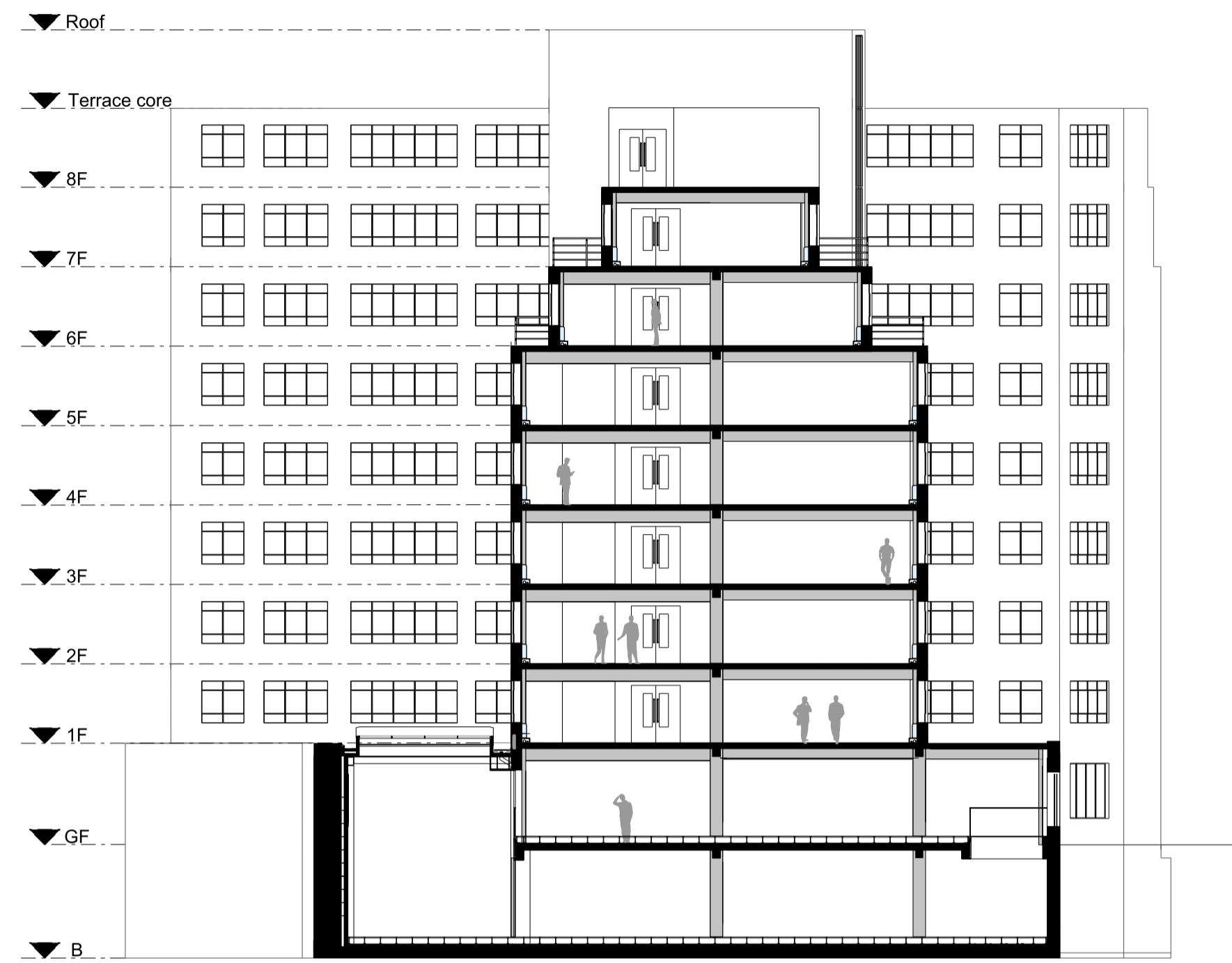
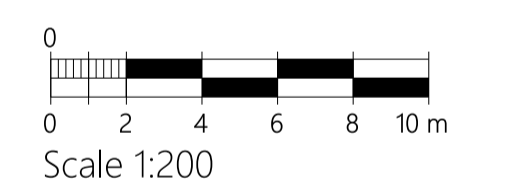
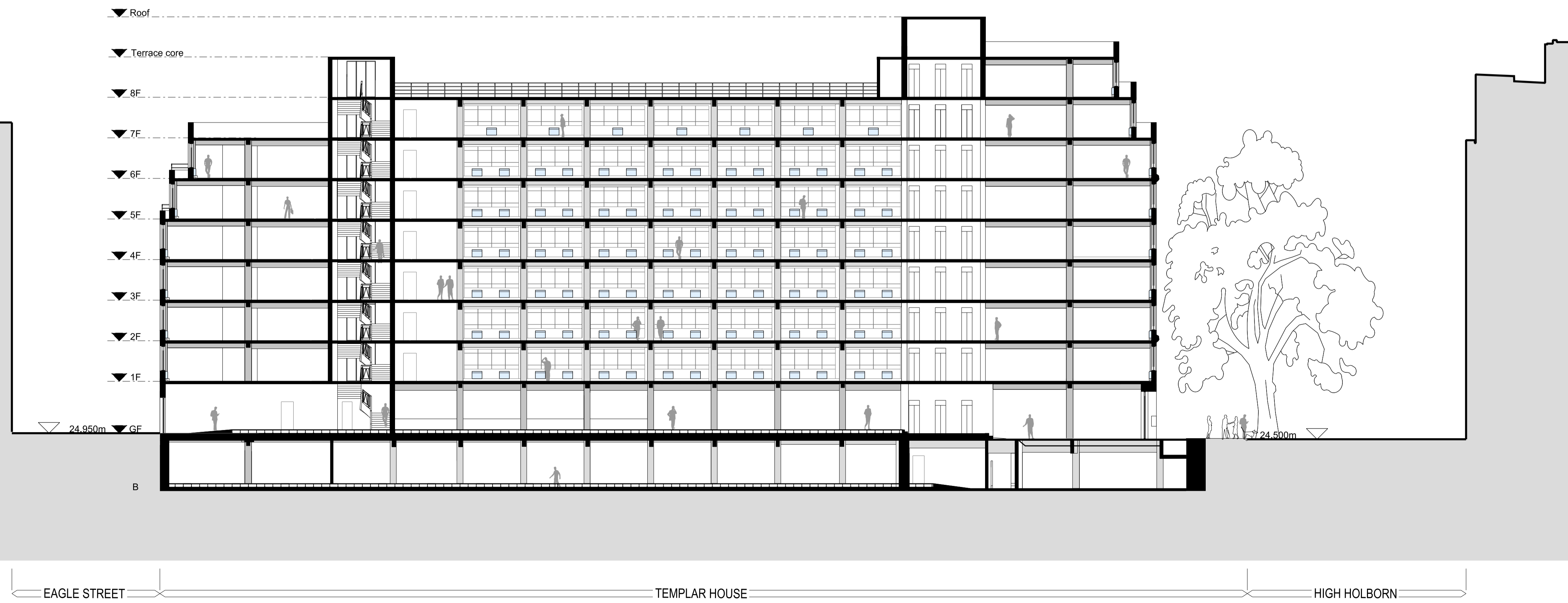


01 SECTION BB - PROPOSED  
1:200



02 SECTION AA - PROPOSED  
1:200



rev	description	date	AL	NG
01	PLANNING SUBMISSION	23/11/2018	AL	NG

Original by: ASTUDIO  
Designed By: AL  
Approved By: NG  
Issue Date: 23.11.2018

**astudio**  
The Tower Building, 8th Floor, 11 York Road, London SE1 7NX  
T: +44(0)207 401 4100 W: www.astudio.co.uk E-mail: info@astudio.co.uk

Client: **PLATFORM**

Project: **TEMPLAR HOUSE REFURBISHMENT**

Drawing: **SECTION AA AND SECTION BB PROPOSED**

Project number: 17007  
Drawing number: THR-AST-00-SE-DR-A-GA-0320

Scale: 1:200  
Issue status: PLANNING

01  
This drawing is to be read in conjunction with all related drawings. Do not scale from this drawing. All dimensions must be checked and verified on site before commencing any work or producing shop drawings. The originator should be notified immediately of any discrepancy. This drawing is copyright and remains the property of and ASTUDIO Architecture.