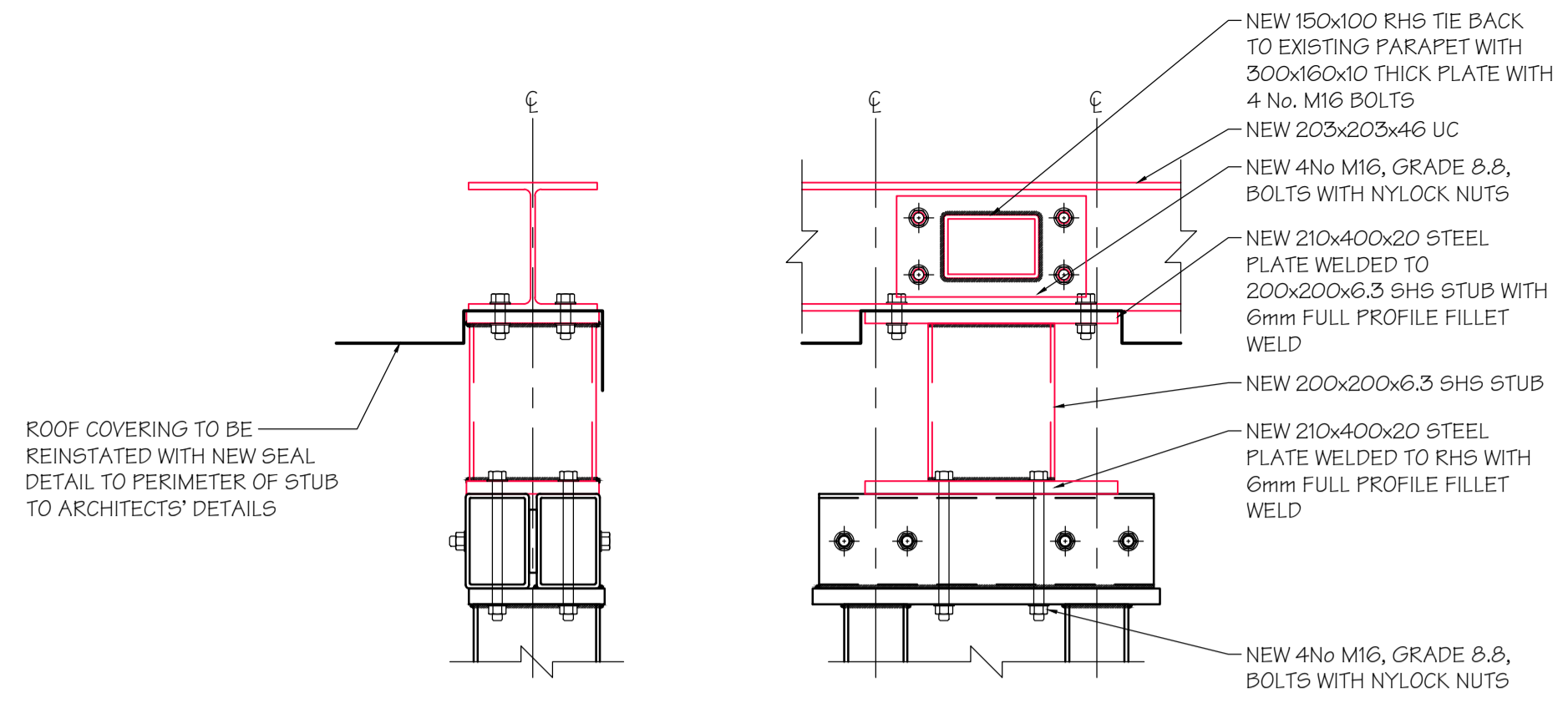
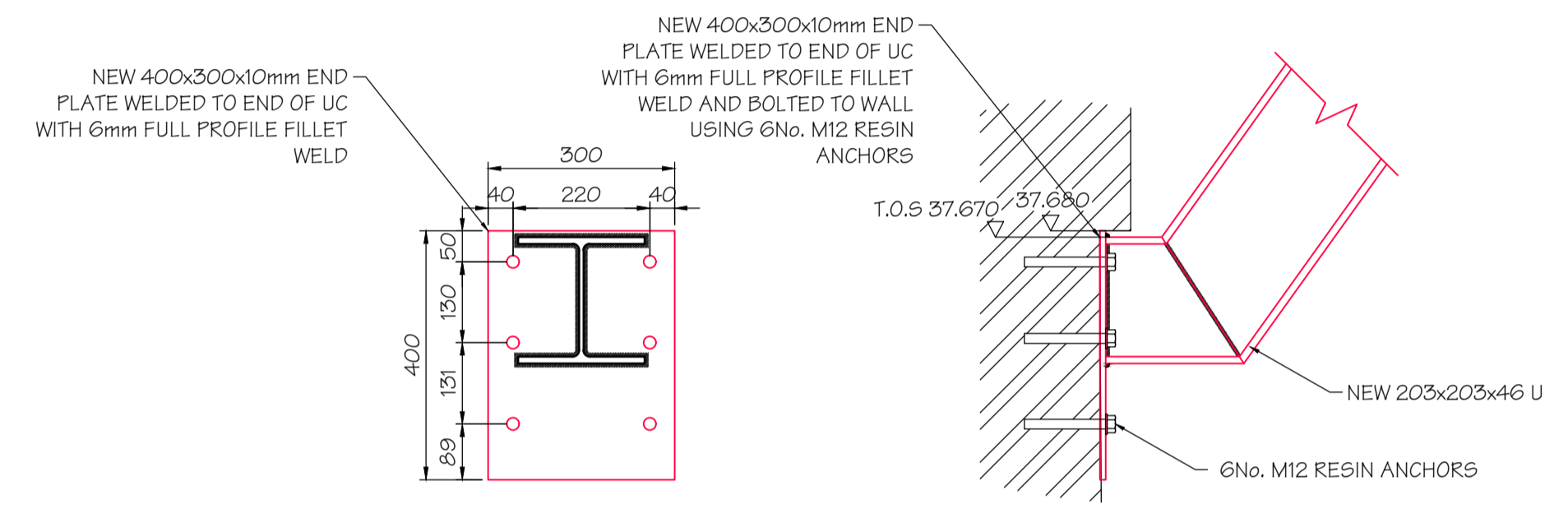


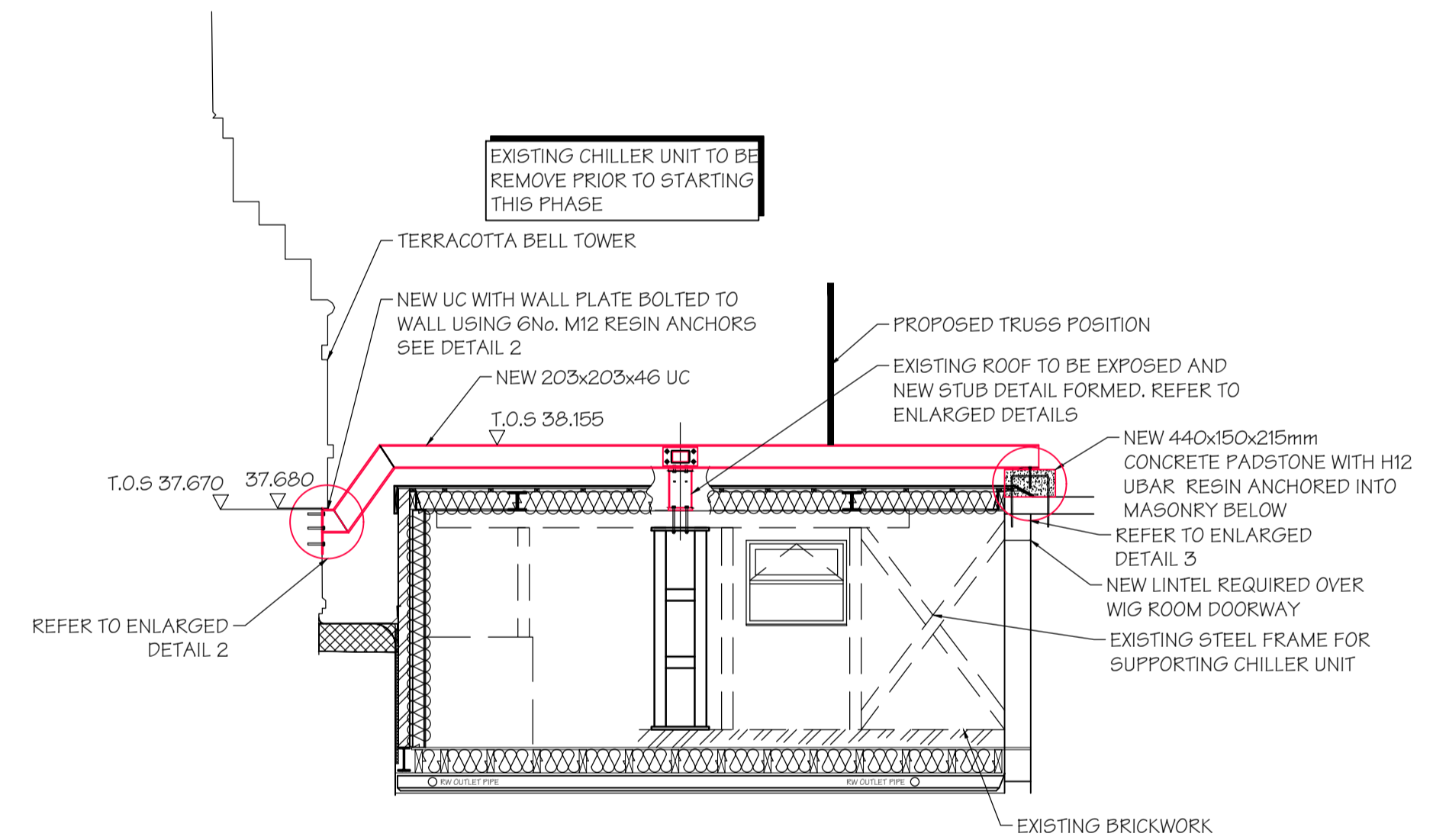
PROPOSED ROOF PLAN  
(SCALE 1:50 AT A1)



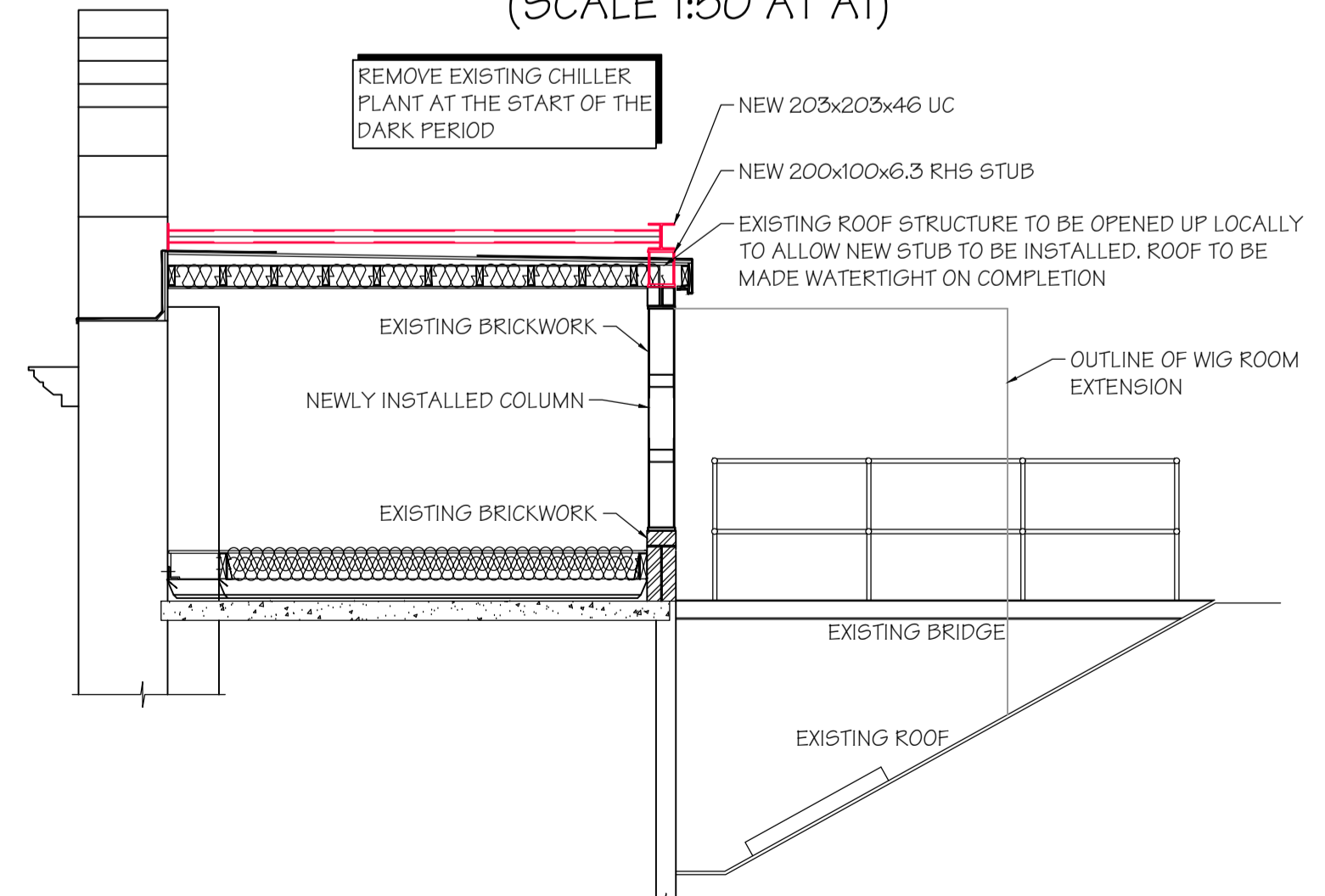
PROPOSED SECTION (SCALE 1:10 AT A1)  
PROPOSED ELEVATION (SCALE 1:10 AT A1)



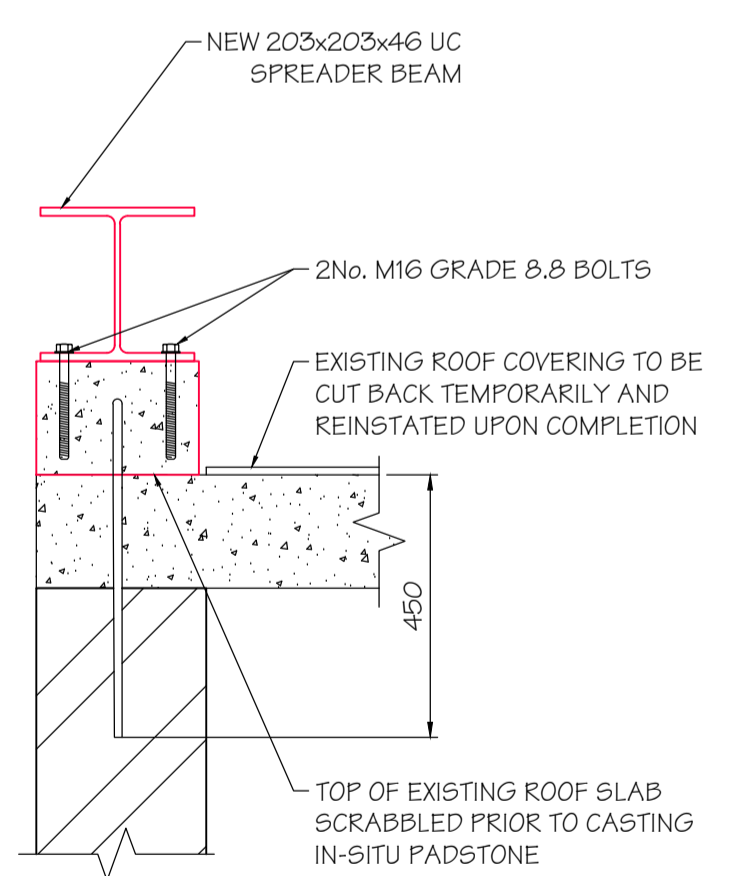
DETAIL 2  
(SCALE 1:10 AT A1)



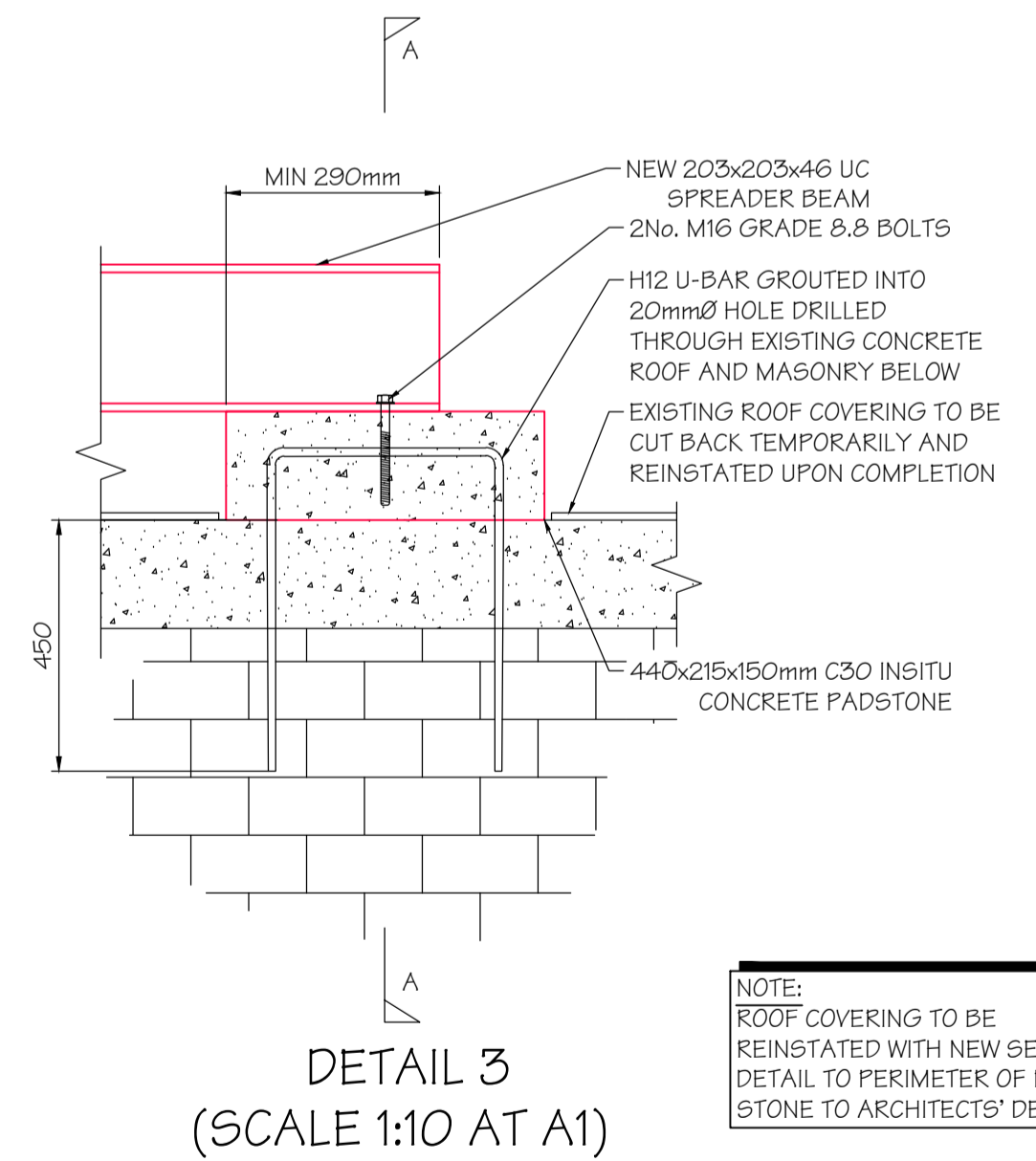
INTERNAL ELEVATION SECTION E-E  
(SCALE 1:50 AT A1)



PROPOSED SECTION Y-Y  
NEW STUB DETAIL AND BEAM  
(SCALE 1:50 AT A1)

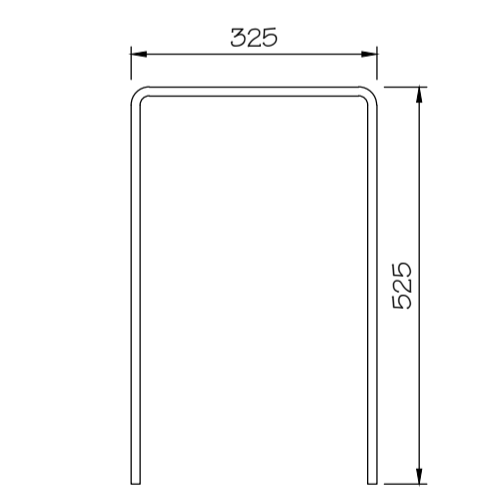


SECTION A-A  
(SCALE 1:10 AT A1)



DETAIL 3  
(SCALE 1:10 AT A1)

NOTE:  
ROOF COVERING TO BE REINSTATED WITH NEW SEAL DETAIL TO PERIMETER OF PADSTONE TO ARCHITECTS' DETAIL



U-BAR DETAIL  
(SCALE 1:10 AT A1)

DO NOT SCALE THIS DRAWING.

ORIGINAL DRAWING SIZE A1

Notes

REFER TO DRAWING 2714-901 FOR NOTES

DRAFT ONLY FOR DISCUSSION

Rev.	Date	Description	By

Revisions

**Michael Jackson Consulting**  
204 BOLTON ROAD  
WORSLEY  
MANCHESTER, M28 3BN  
Chartered Structural Engineers  
Tel: 0161 790 4404  
Fax: 0161 790 4405

Client  
**The Theatre of Comedy Company**  
**Shaftesbury Theatre**

Venue  
**SHAFTESBURY THEATRE,  
LONDON**

Project  
**WIGS ROOM ALTERATIONS**

Drawing Title  
**PROPOSED BEAM DETAILS**

Scale A5 SHOWN	Date OCT 18	Drawn DS	Checked	Passed
-------------------	----------------	-------------	---------	--------

DRG. No.  
**2714-903**