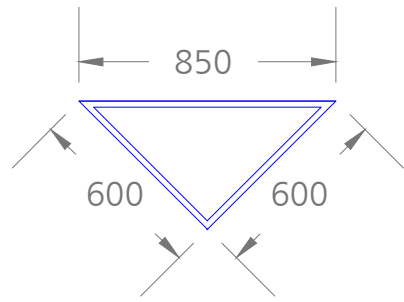
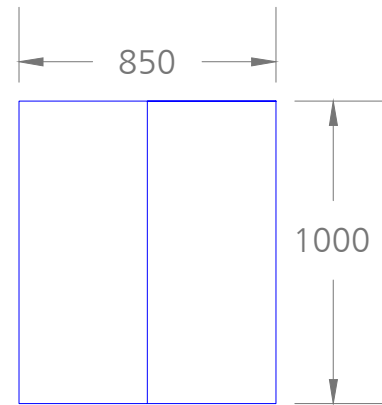


TOP VIEW

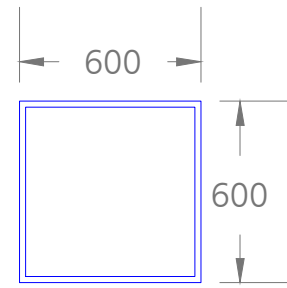


FRONT VIEW

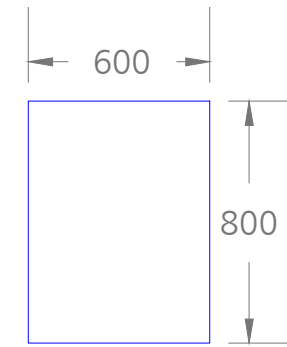


13 x Triangular planter. Size: W850/600/600 x H1000mm

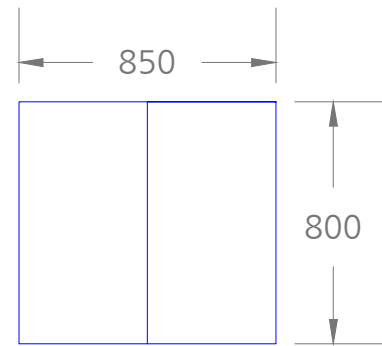
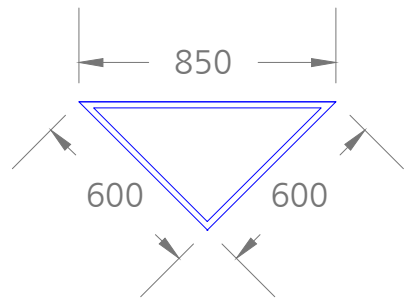
TOP VIEW



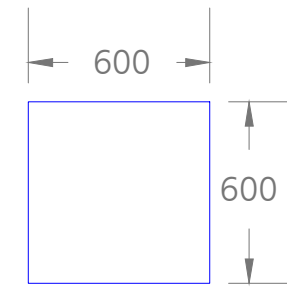
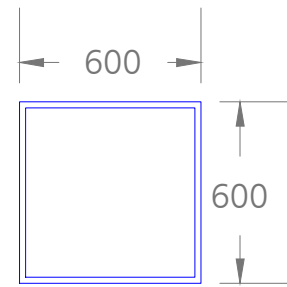
FRONT VIEW



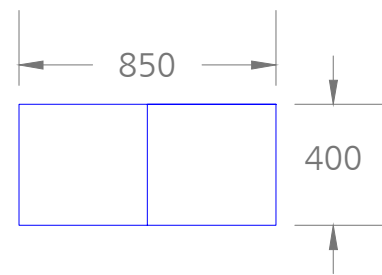
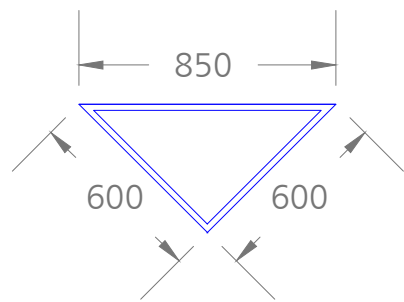
3 x Square planter. Size: W600 x L600 x H800mm



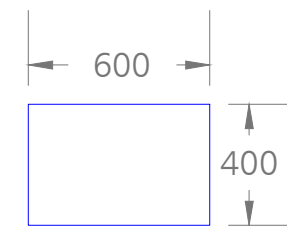
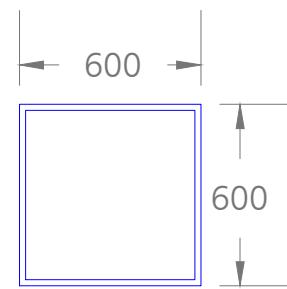
12 x Triangular planter. Size: W850/600/600 x H800mm



3 x Square planter. Size: W600 x L600 x H600mm

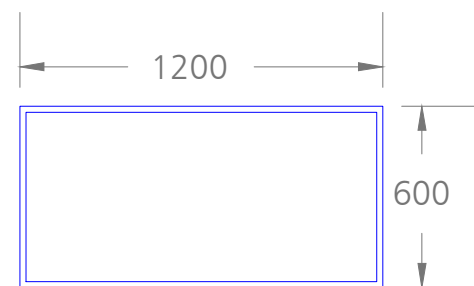


8 x Triangular planter. Size: W850/600/600 x H400mm

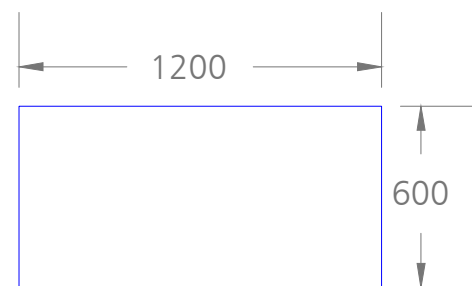


7 x Square planter. Size: W600 x L600 x H400mm

TOP VIEW

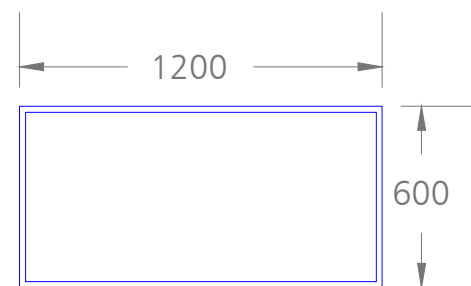


FRONT VIEW

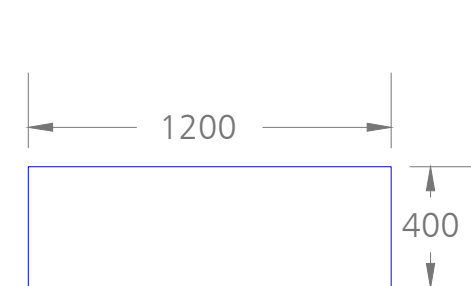


3 x Rectangular planter. Size: W600 x L1200 x H600mm

TOP VIEW



FRONT VIEW



2 x Rectangular planter. Size: W600 x L1200 x H400mm

Total: 51no. Planters.

All planters to be wet coat painted.

All measurements in mm



PROJECT: North Gower Street

DRAWING TITLE: Planters

SCALE: 1:25

PAPER SIZE: A3

DATE: 23/08/2018 NGS006