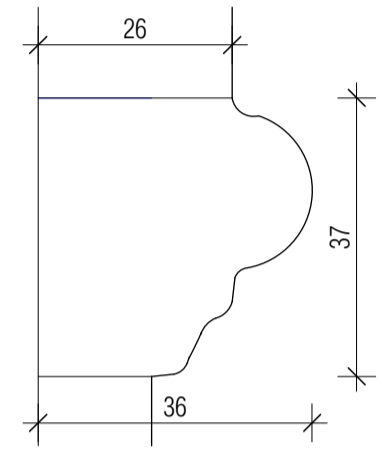
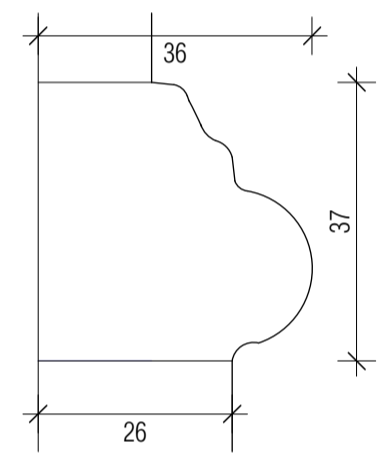


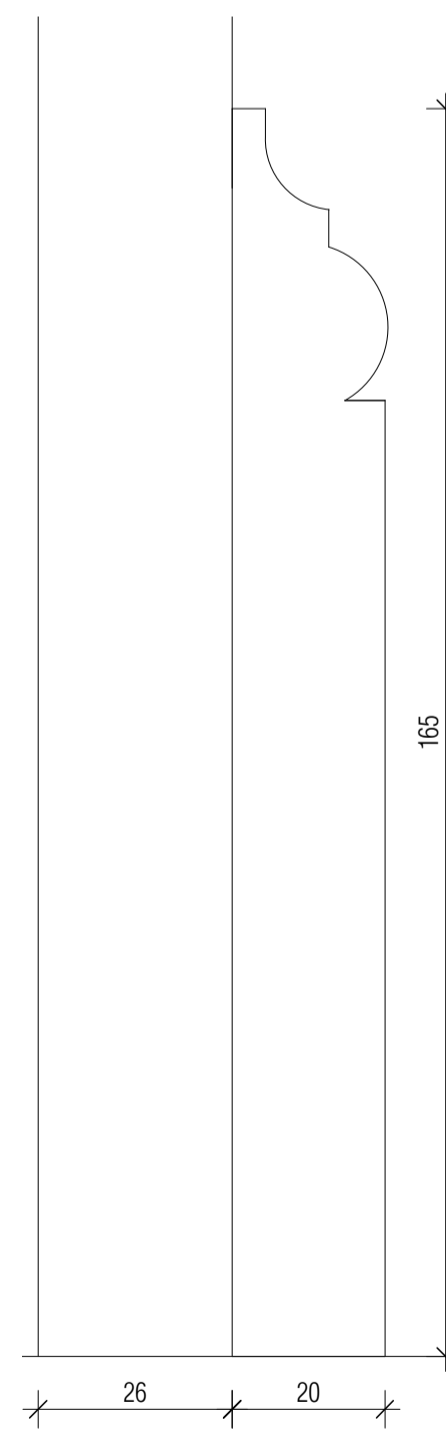
DM01
Dado Moulding 1
(pg.170; item 1; No.19 Queen Anne's Gate; c.1704)



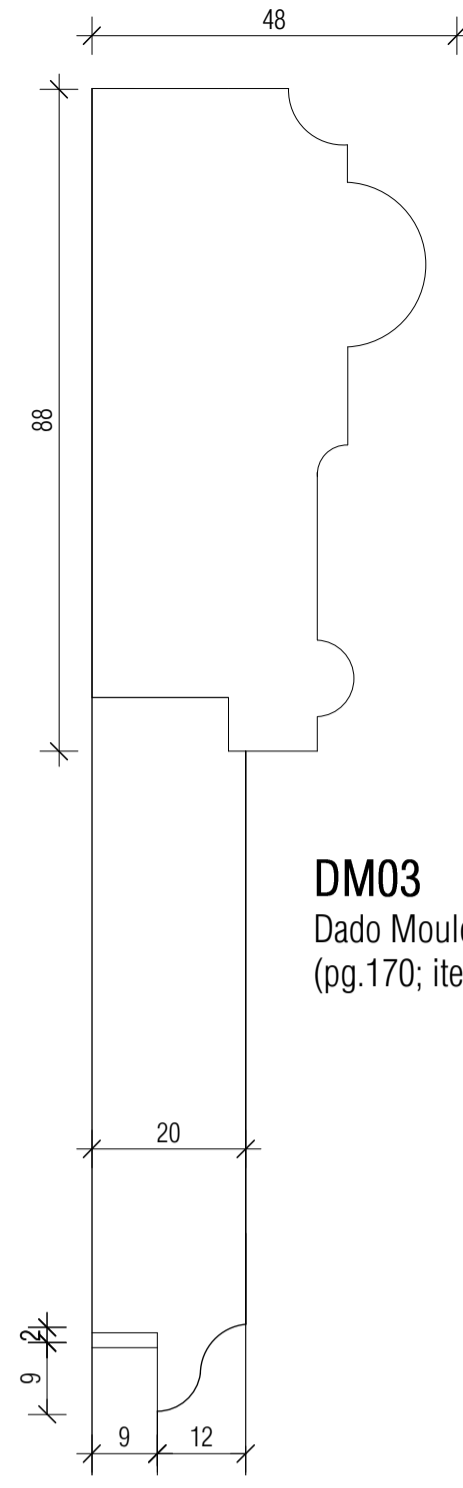
DM02
Dado Moulding 2
(pg.170; item 4; Fournier Stret, Spitalfields; c.1726)



DM03
Dado Moulding 3
(pg.170; item 3; No.15 Elder Street; 1727)

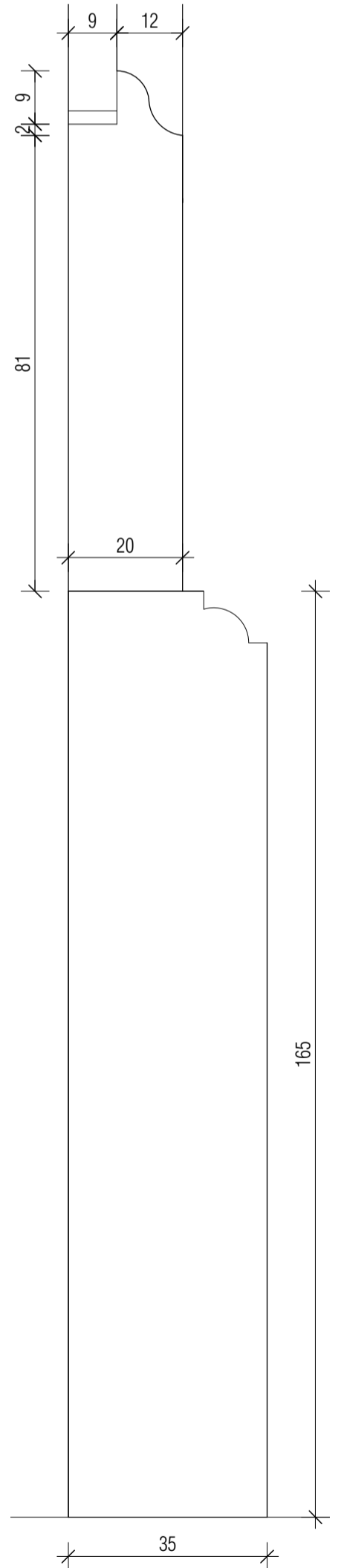


DM05
Dado Moulding 5
See Drawing HH-824



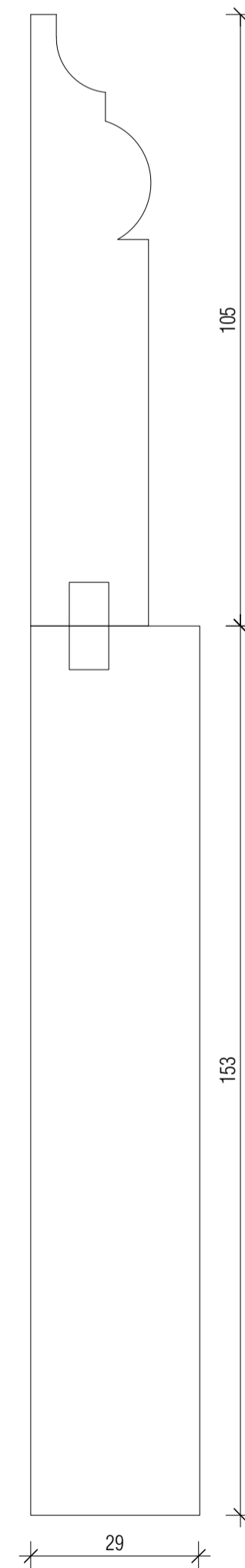
DM07
Dado Moulding 7
(pg.170; item 3; No.15 Elder Street; 1727)

DM04
Dado Moulding 4
(pg.170; item 1; No.19 Queen Anne's Gate; c.1704)



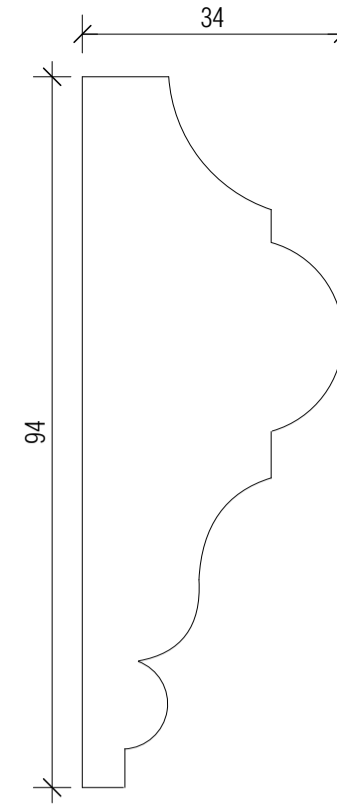
DM06
Dado Moulding 6
(pg.170; item 2; No.15 Elder Street; 1727)

DM02
Dado Moulding 2
(pg.170; item 4; Fournier Stret, Spitalfields; c.1726)

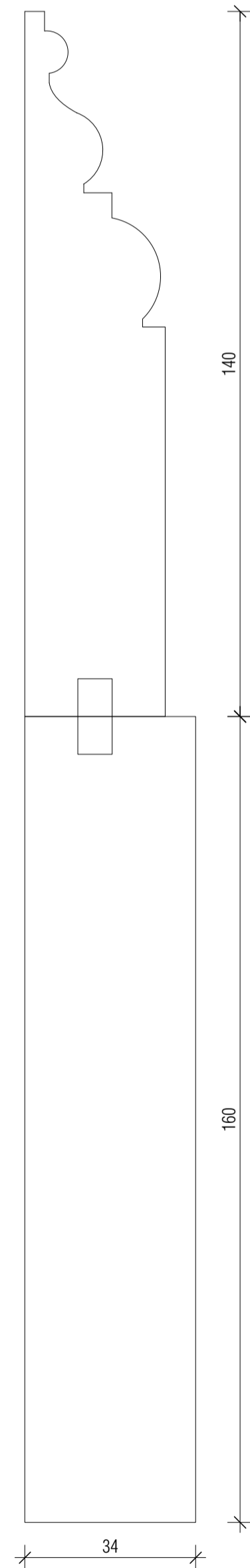


DM03
Dado Moulding 3
(pg.170; item 3; No.15 Elder Street; 1727)

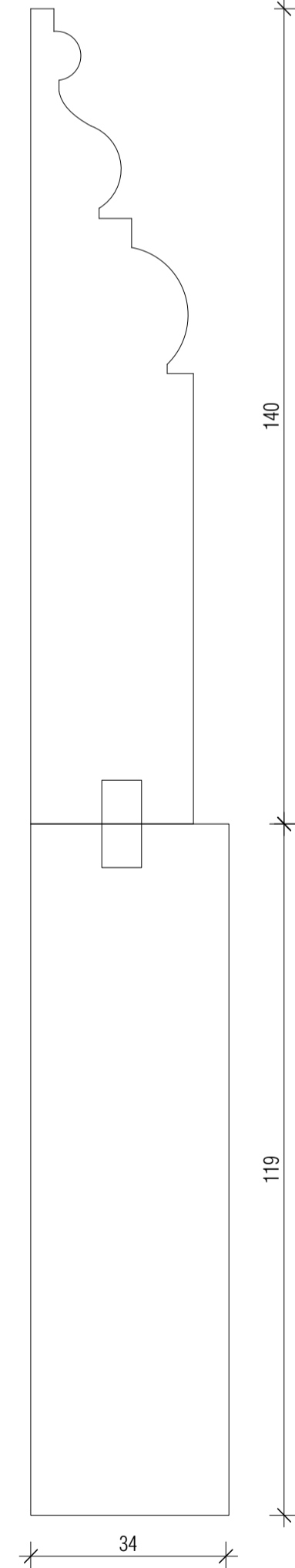
DM05
Dado Moulding 5
See Drawing HH-824



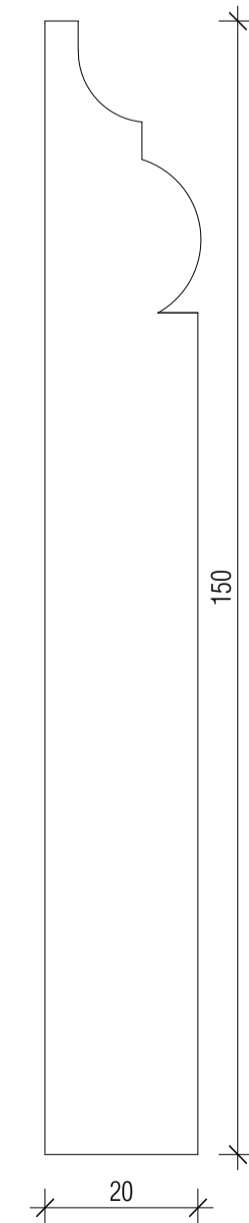
DM07
Dado Moulding 7
(pg.170; item 3; No.15 Elder Street; 1727)



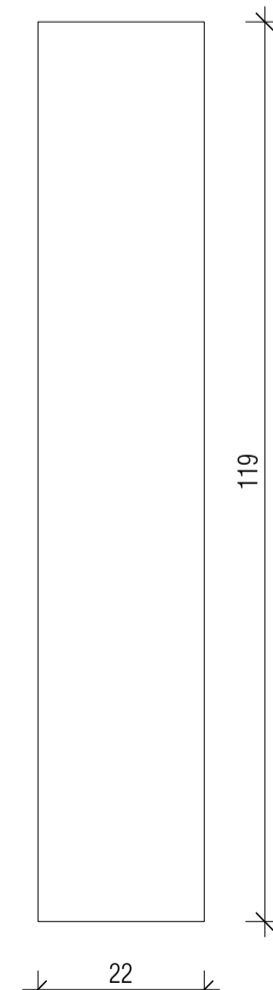
DM04
Dado Moulding 4
(pg.170; item 1; No.19 Queen Anne's Gate; c.1704)



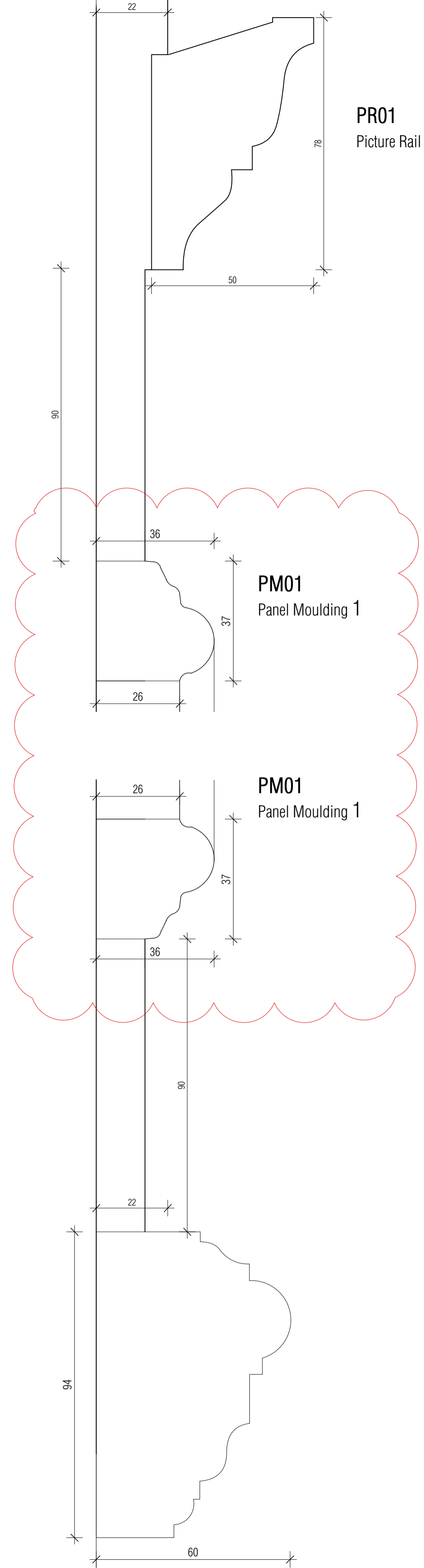
DM06
Dado Moulding 6
(pg.170; item 2; No.15 Elder Street; 1727)



DM02
Dado Moulding 2
(pg.170; item 4; Fournier Stret, Spitalfields; c.1726)



DM03
Dado Moulding 3
(pg.170; item 3; No.15 Elder Street; 1727)



DM04
Dado Moulding 4
(pg.170; item 1; No.19 Queen Anne's Gate; c.1704)

PM01
Panel Moulding 1

PM01
Panel Moulding 1

PR01
Picture Rail

SP01
Skirting Profile 1
(pg.170; item 1; No.15 Elder Street; 1727)

SP02
Skirting Profile 2
(pg.170; item 2; No.15 Elder Street; 1727)

SP03
Skirting Profile 3
(pg.170; item 1; No.15 Elder Street; 1727)

SP04
Skirting Profile 4
See drawing HH-824

SP05
Skirting Profile 5
(pg.170; item 5; Nos.5-13 Queen Anne's Gate; 1770)

SP06
Skirting Profile 6
(pg.170; item 5; Nos.5-13 Queen Anne's Gate; 1770)

SP07
Skirting Profile 7
(pg.170; item 1; No.15 Elder Street; 1727)

SP08
Skirting Profile 8
(pg.170; item 8; No.15 Elder Street; 1727)

© CLIVE CHAPMAN ARCHITECTS. SURVEY INFORMATION IS USED UNDER SEPARATE COPYRIGHT LICENCE. REFER TO EXISTING SURVEY DRAWINGS / TITLE BLOCK FOR SURVEYORS DETAILS.
ALL DIMENSIONS TO BE CHECKED ON SITE. BRACKETED DIMENSIONS ARE FOR CHECKING AND NOT FOR SETTING OUT PURPOSES. ANY DISCREPANCIES ARE TO BE REPORTED TO THE ARCHITECT BEFORE COMMENCEMENT.

Notes

Revisions

T1	24.04.2018	Issued for Pre-Planning Application.
T2	29.08.2018	Amendments from preliminary drawings to include updates to mouldings profiles as per Conservation Officer meeting 20.06.2018 Issued for Tender
T3	21.11.2018	Dining room internal finishes amended to timber panelling

TENDER

Project HEATH HOUSE, HAMPSTEAD, NW3 7ET		
Drawing SKIRTING, DADO & PANEL MOULDING PROFILES		
Drawing No. HH-823 T3	Scale 1:1 @ A1	Date 29.01.2018

CLIVE CHAPMAN ARCHITECTS
SUSTAINABILITY CONSULTANTS
4 EEL PIE ISLAND
TWICKENHAM, MIDDLESEX TW1 3DY
TELEPHONE 020 8891 4837
EMAIL: INFO@CCAR.CO.UK
WEBSITE: WWW.CCAR.CO.UK