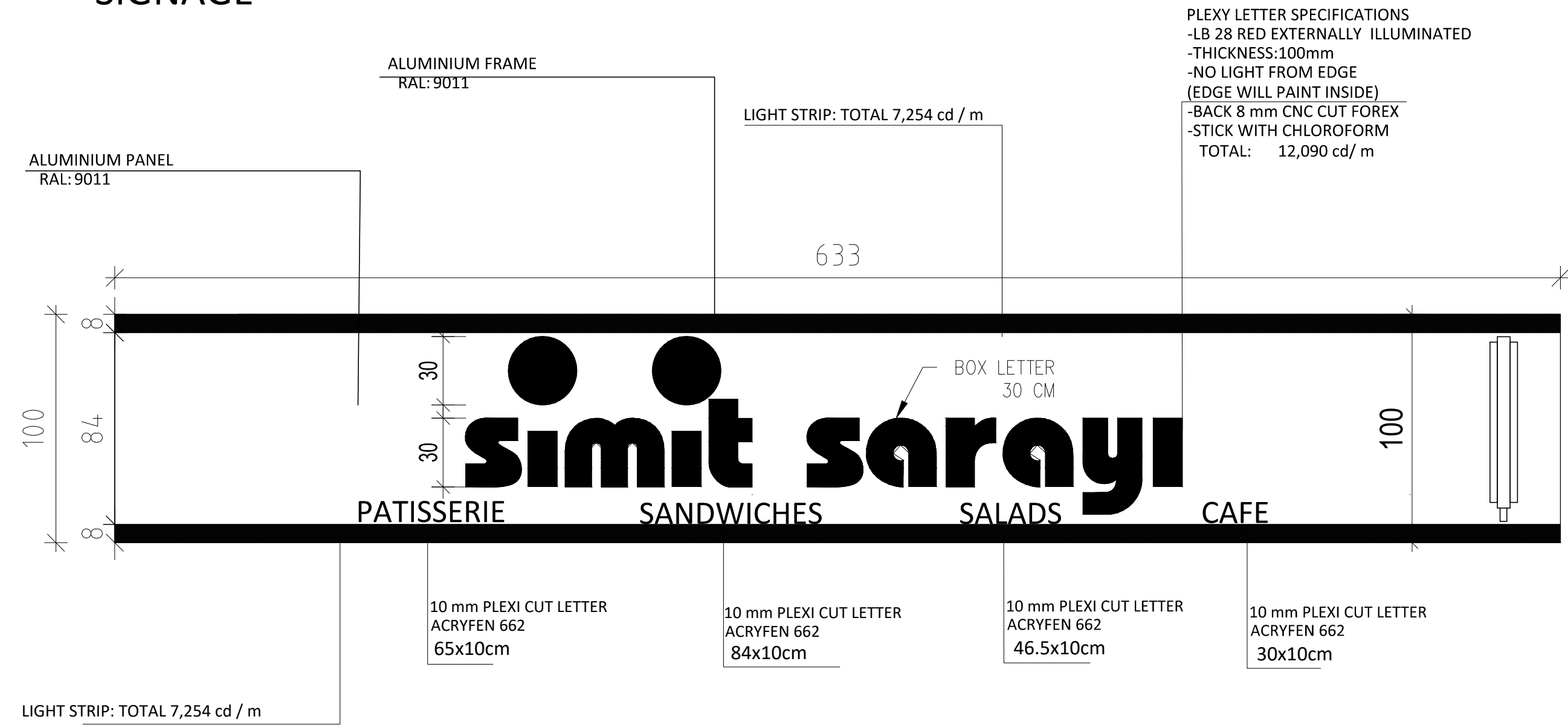
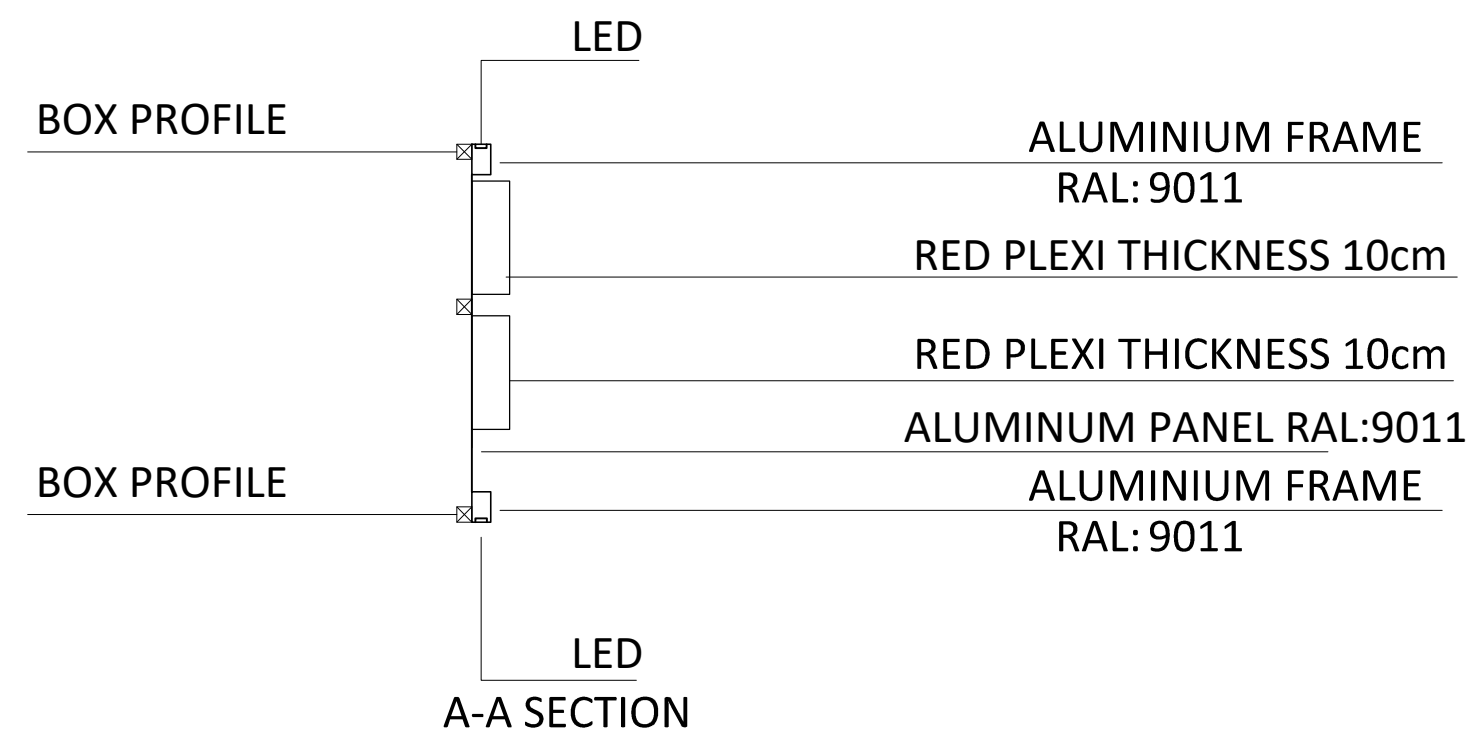


ELEVATION 1 FRONT FACADE SIGNAGE



PLEXI LETTER SPECIFICATIONS
-LB 28 RED EXTERNALLY ILLUMINATED
-THICKNESS:100mm
-NO LIGHT FROM EDGE
(EDGE WILL PAINT INSIDE)
-BACK 8 mm CNC CUT FOREX
-STICK WITH CHLOROFORM
TOTAL: 12,090 cd / m



All dimensions in cm
A1: 1/20



68 Oxford Street, London W1D 1BN
Phone : +44 207 636 4636

DATE: 15.10.2018

267 SARAYI
267 GAMBURGH STREET
Interior area : 46,00 m²
Number of people : 14 SEATS
Exterior area : 11 m²
Number of people : 12 SEATS

PAFTA ADI SHEET TITLE
PROPOSED SIGNAGE DETAILS
PAFTA NOJ SHEET NO
04

A.100.04

Drawn
Architect
Orhun Çakır

Architectural Confirm
Sultan Doğanılmaz

Operational Confirm
Patrick Graham

Manager Confirm

Final Approve
Gino Salak

NOTLAR:

1. Alınacak olan rölave sonrası proje üzerinde revizeler meydana gelebilir.
2. Uygulama projesi değildir imalat amaçlı kullanılmaz.
3. İmalat için yerinde ölçü alınmalıdır.

NOTES:

1. The dimensions will be check out on the site, so changes may occur on the drawings.
2. This is not a "Construction Drawing". Cannot be used for application and manufacturing.
3. For final manufactures, dimensions must be checked out on the site.