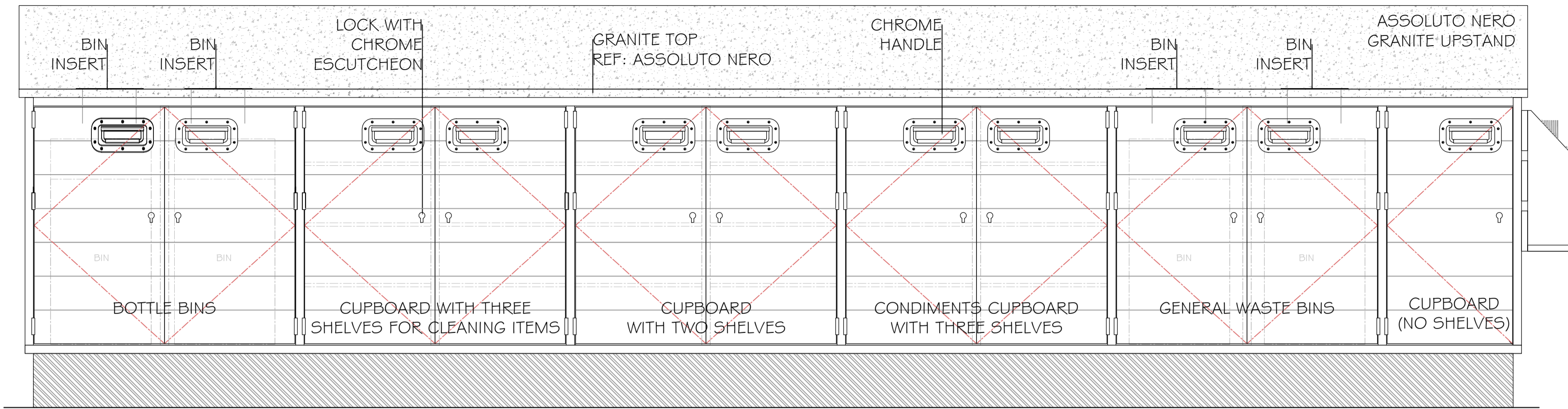
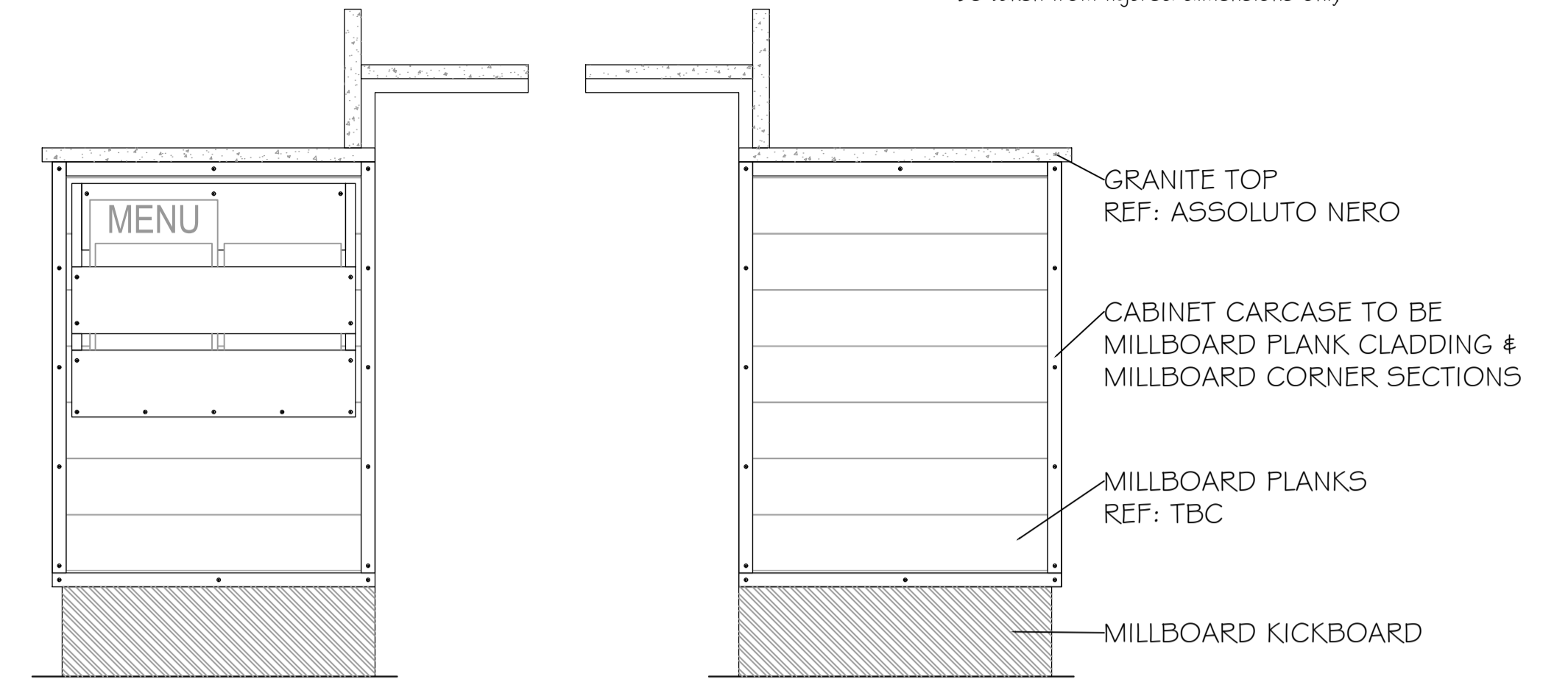


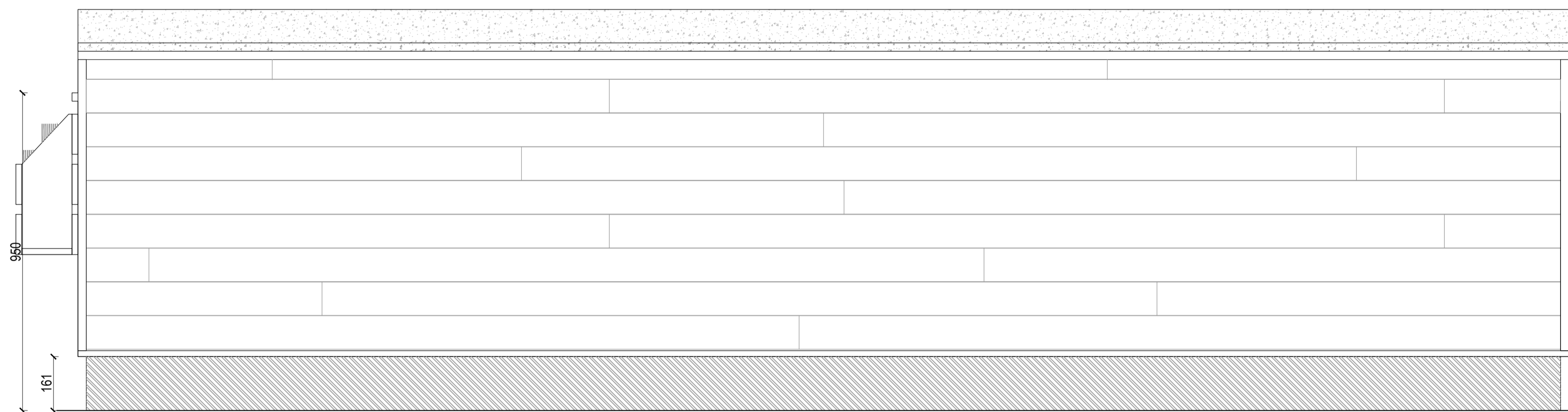
NOTE - Responsibility is not accepted for errors made by others in scaling from this drawing. All construction information should be taken from figured dimensions only



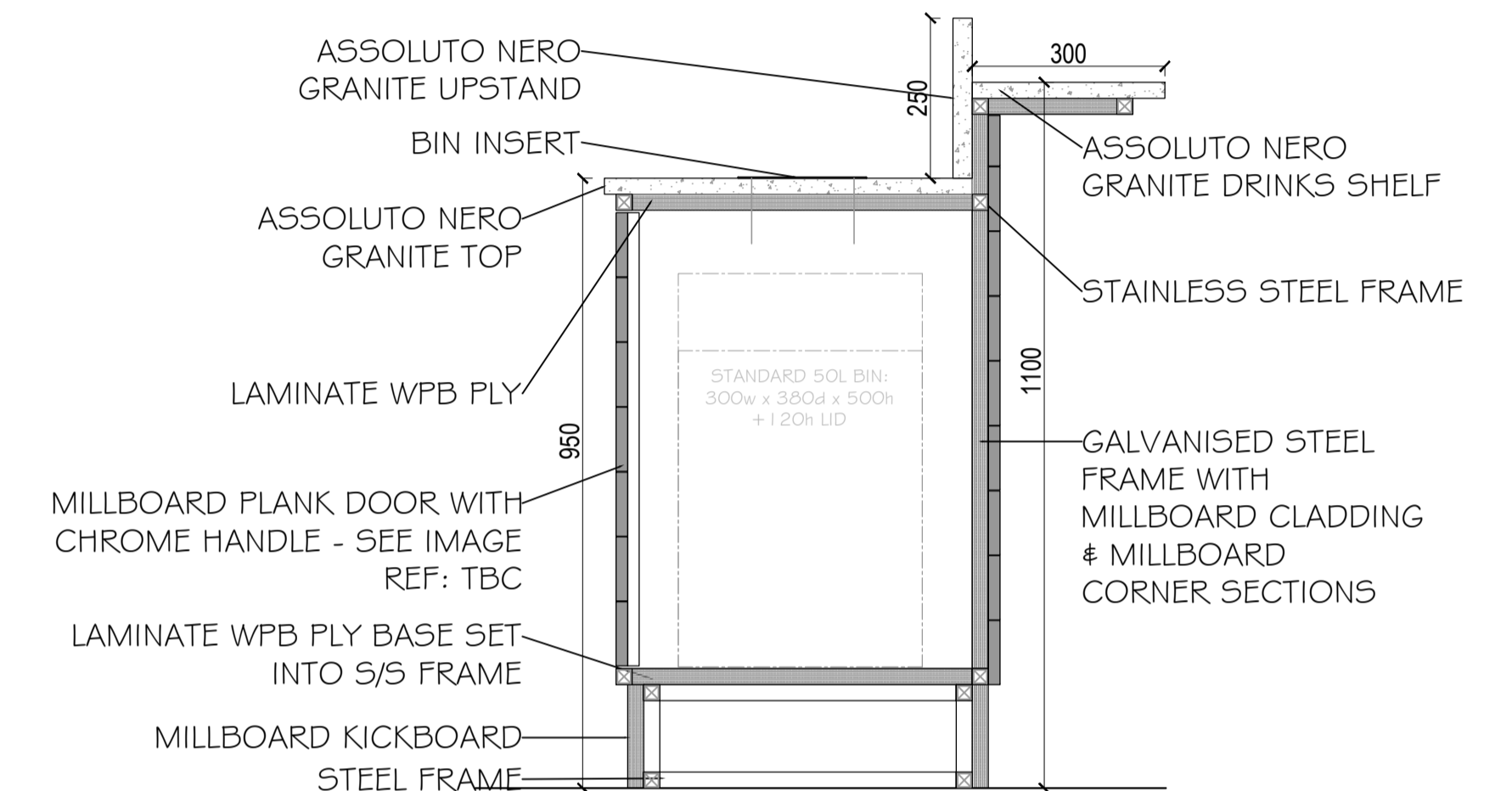
FRONT ELEVATION



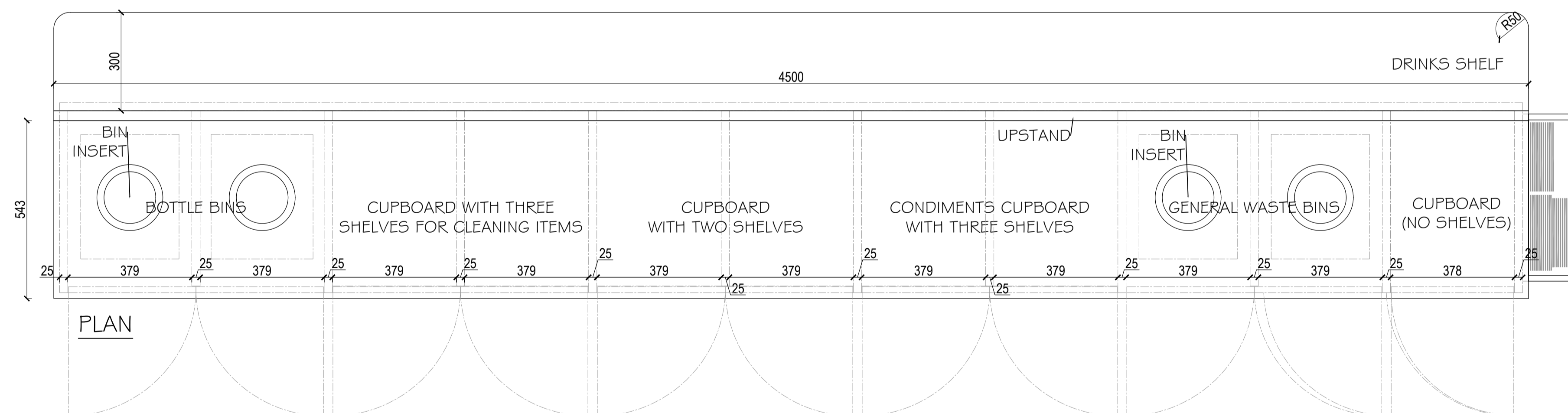
SIDE ELEVATIONS



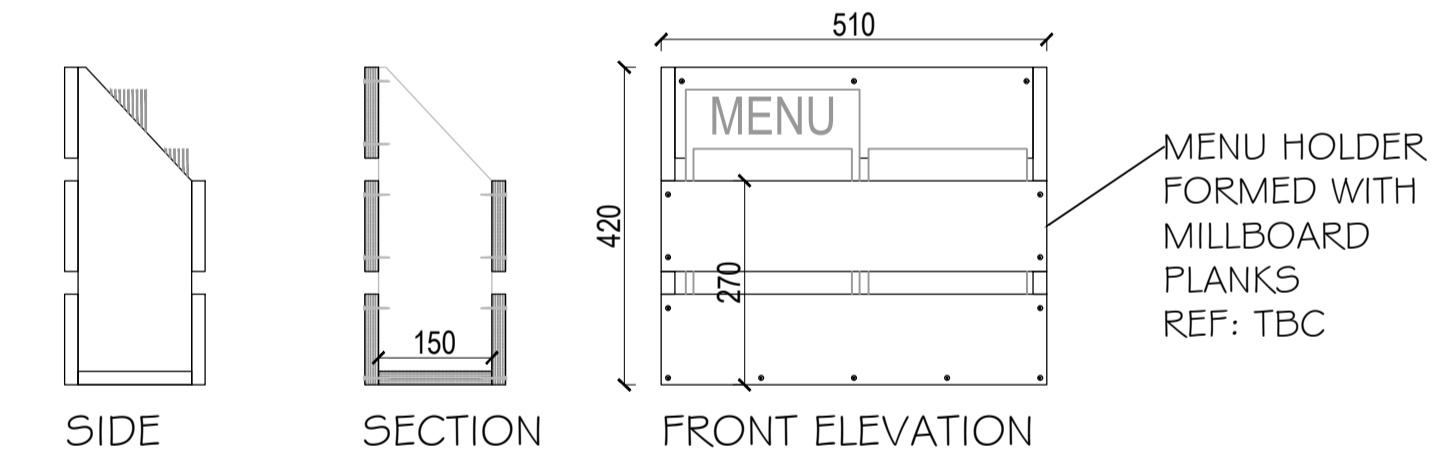
REAR ELEVATION



SECTION



PLAN



MENU HOLDER DETAIL

# CONSTRUCTION DRAWING

REVISIONS



Basepoint Business Centre, Little High Street, Shoreham by Sea, West Sussex BN43 5EG +44 (0)1273 467518 www.kdpaine.co.uk

CLIENT	JD WETHERSPOON PLC	
PROJECT	PUB NO: 2450 ICE WHARF CAMDEN, LONDON	
DRAWING	PROPOSED EXTERNAL WORK STATION DETAIL	
SCALE	DATE	DRAWN
A/1/1:10	OCT 2018	AKS
PROJECT No	DRAWING No	REVISION
7222	C-204	

