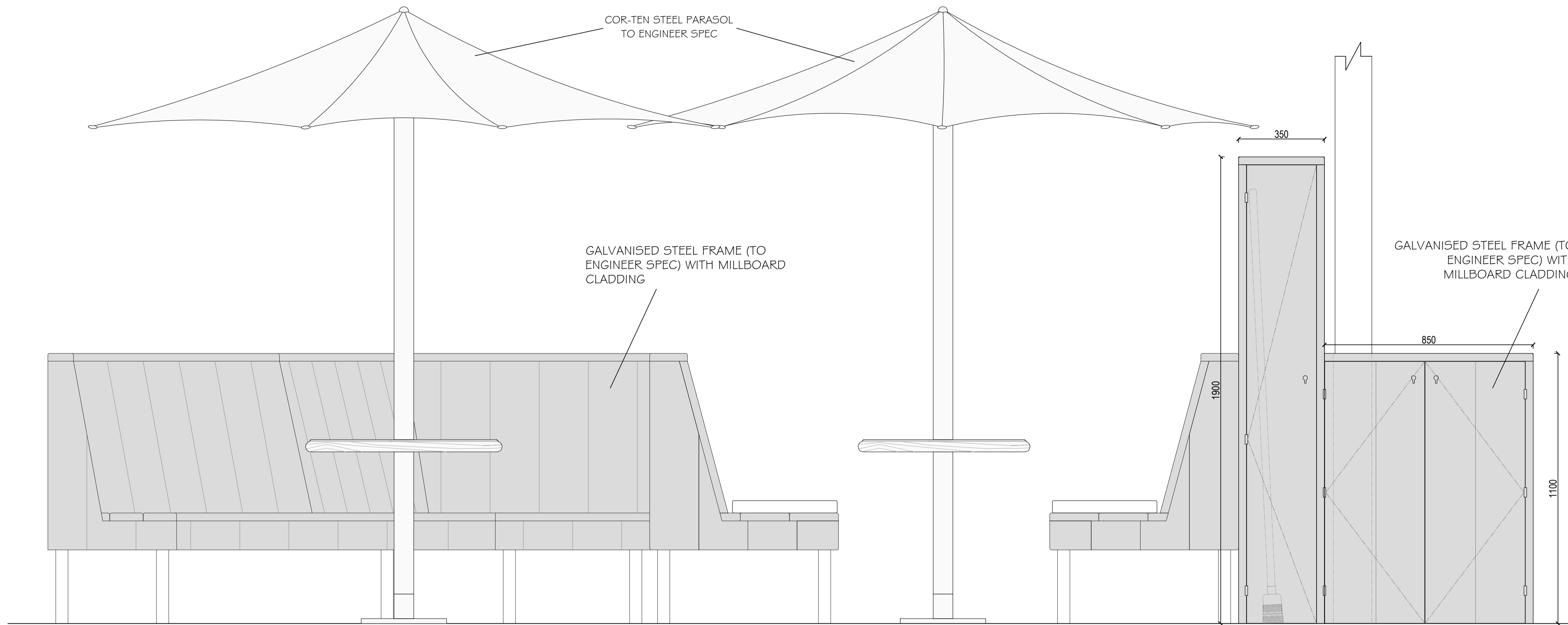
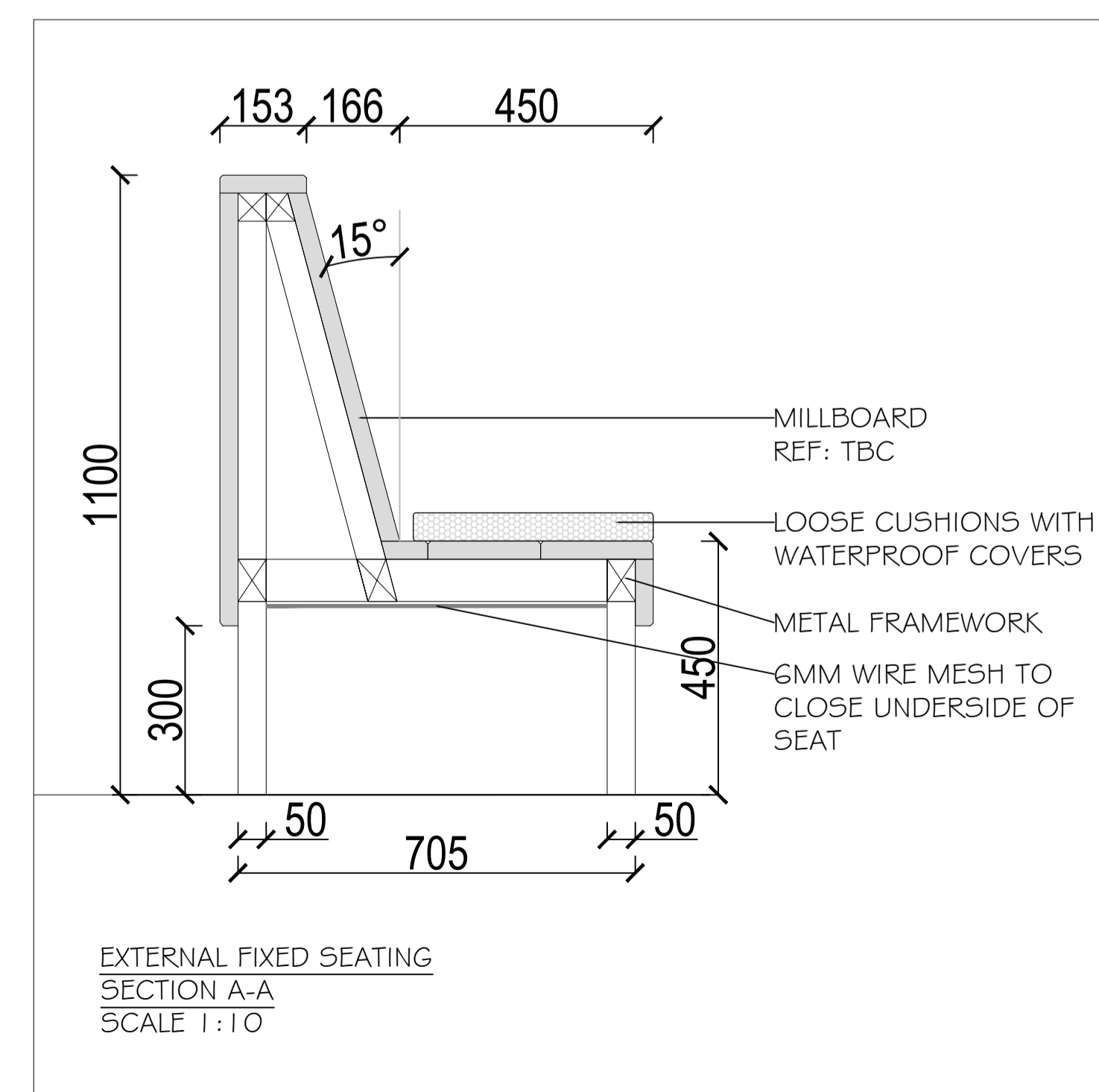
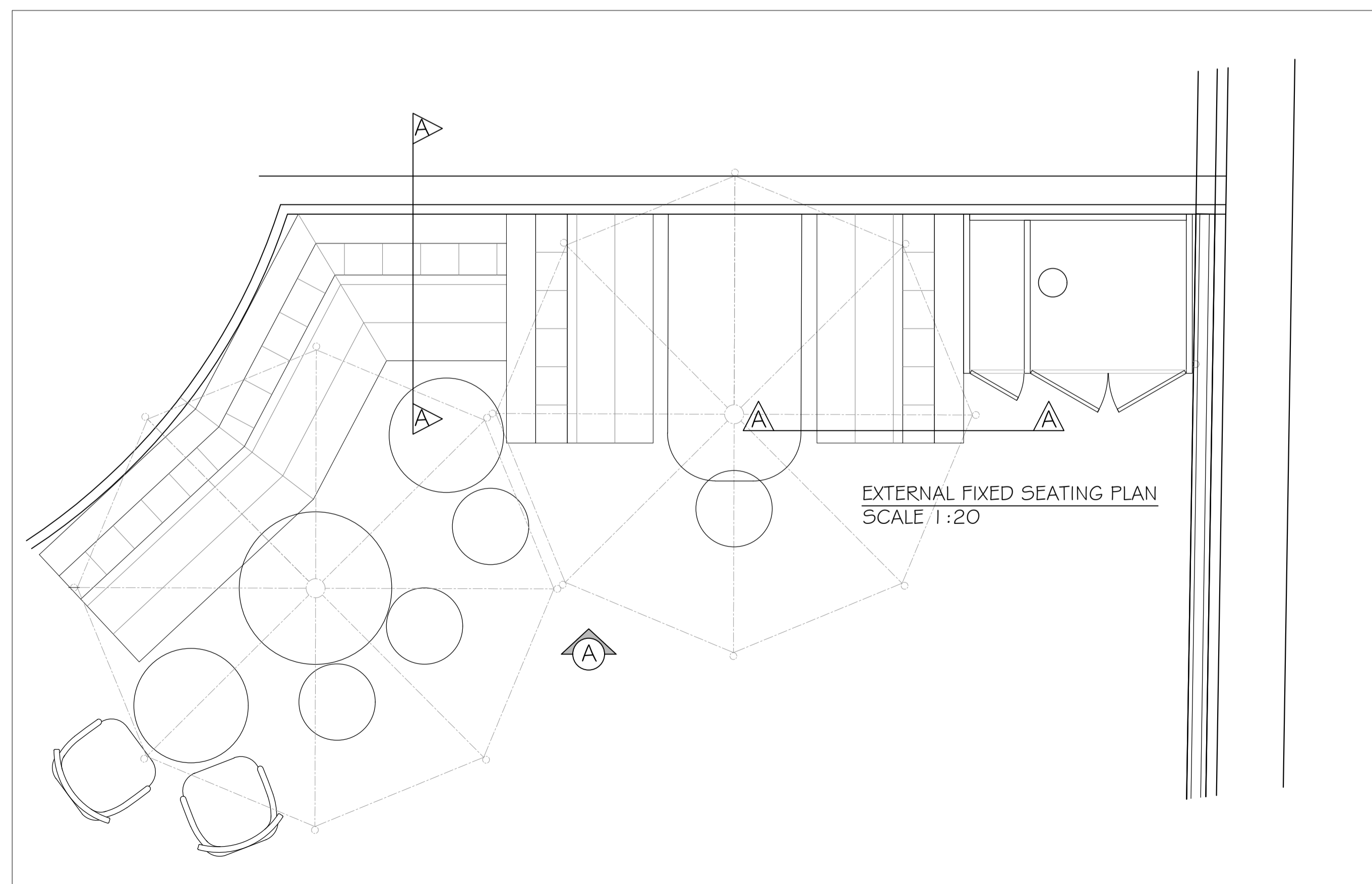


NOTE - Responsibility is not accepted for errors made by others in scaling from this drawing. All construction information should be taken from figured dimensions only



ELEVATION A
SCALE 1:10



CONSTRUCTION DRAWING

REVISIONS

REV A: FIXED SEATING AMENDED TO INCLUDE 1 No BOOTH & 1 No BANQUETTE AK5 02.10.18

kdpa

Basepoint Business Centre, Little High Street,
Shoreham by Sea, West Sussex BN43 5EG
+44 (0)1273 467518 www.kdpaine.co.uk

CLIENT	JD WETHERSPOON PLC		
PROJECT	PUB NO: 2450 THE ICE WHARF CAMDEN LOCK		
DRAWING	PROPOSED FIXED SEATING DETAIL		
SCALE	DATE	DRAWN	
A1/AS SHOWN	SEPT 2018	MT	
PROJECT No	DRAWING No	REVISION	
7222	C-201	C-201	