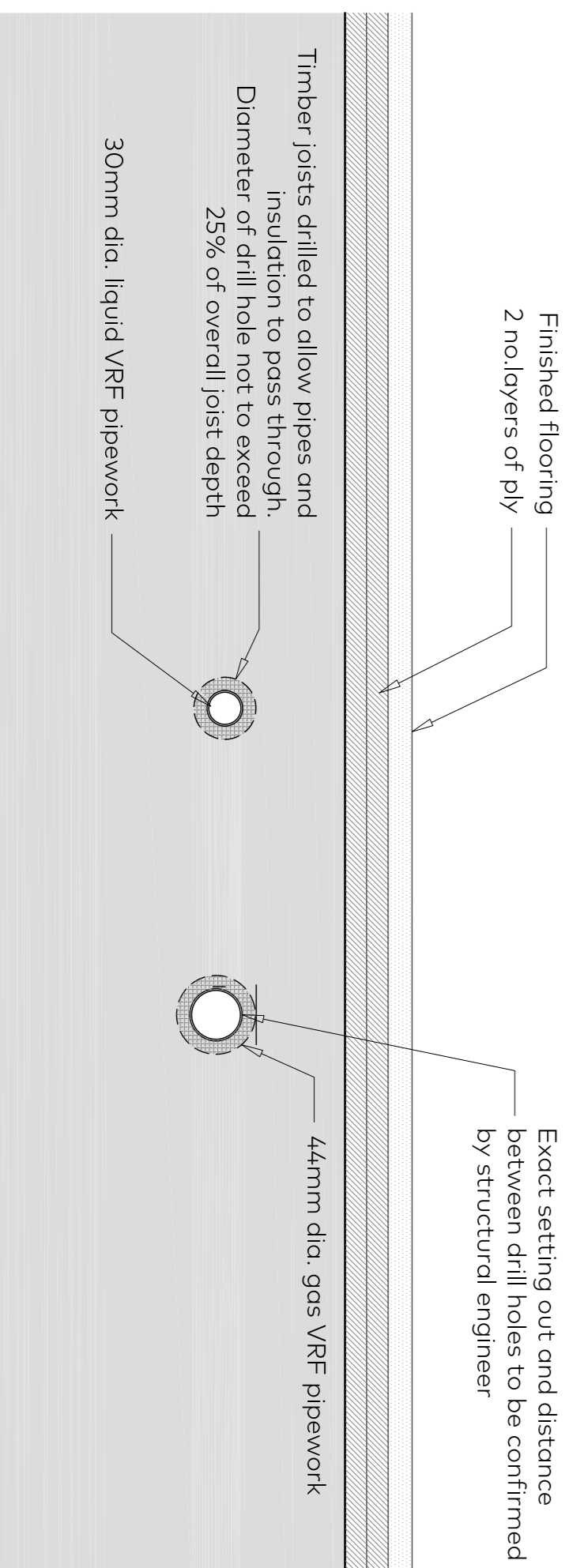
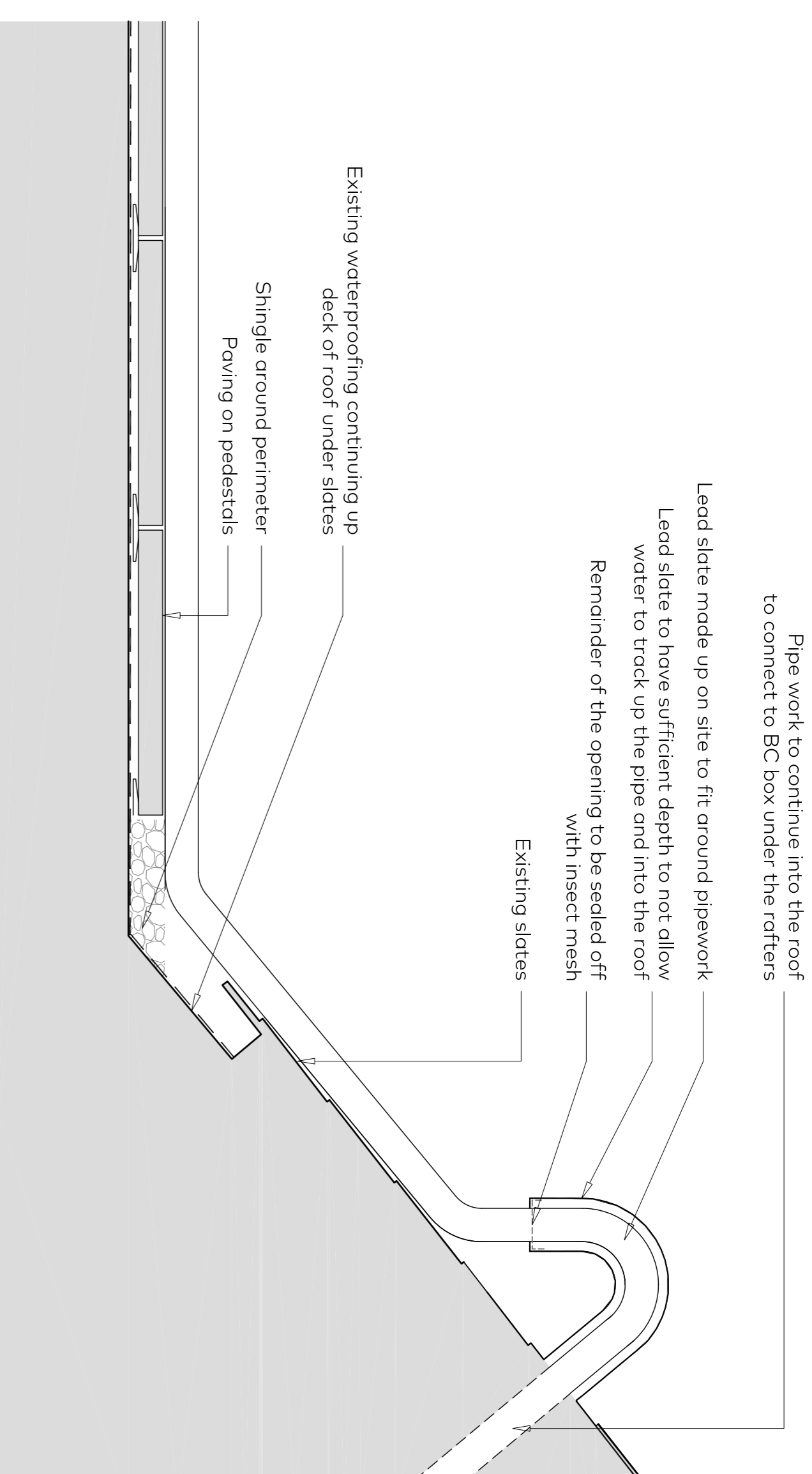


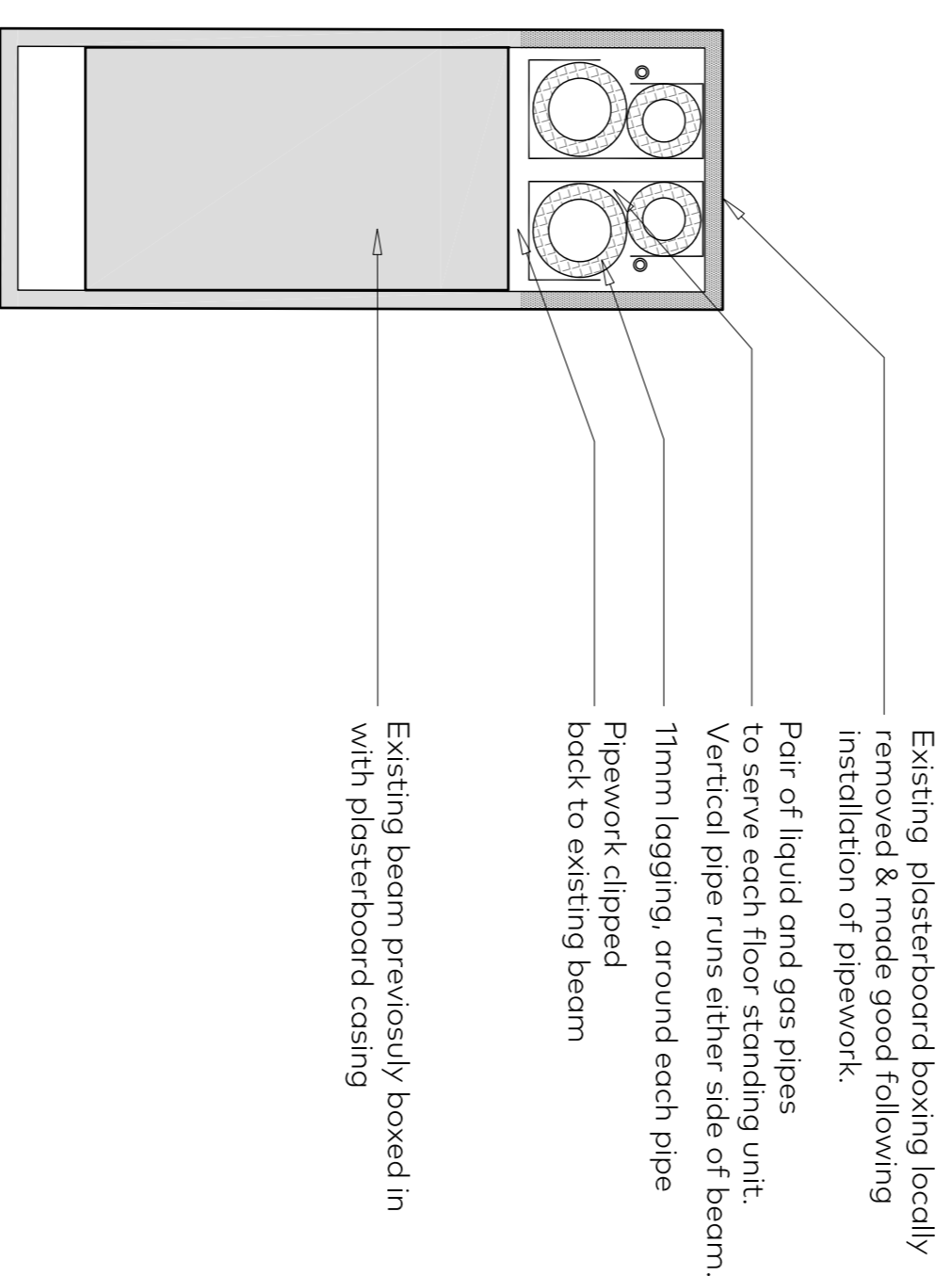
01 FIFTH FLOOR VRF PIPE BOXING DETAIL
1:5@A1



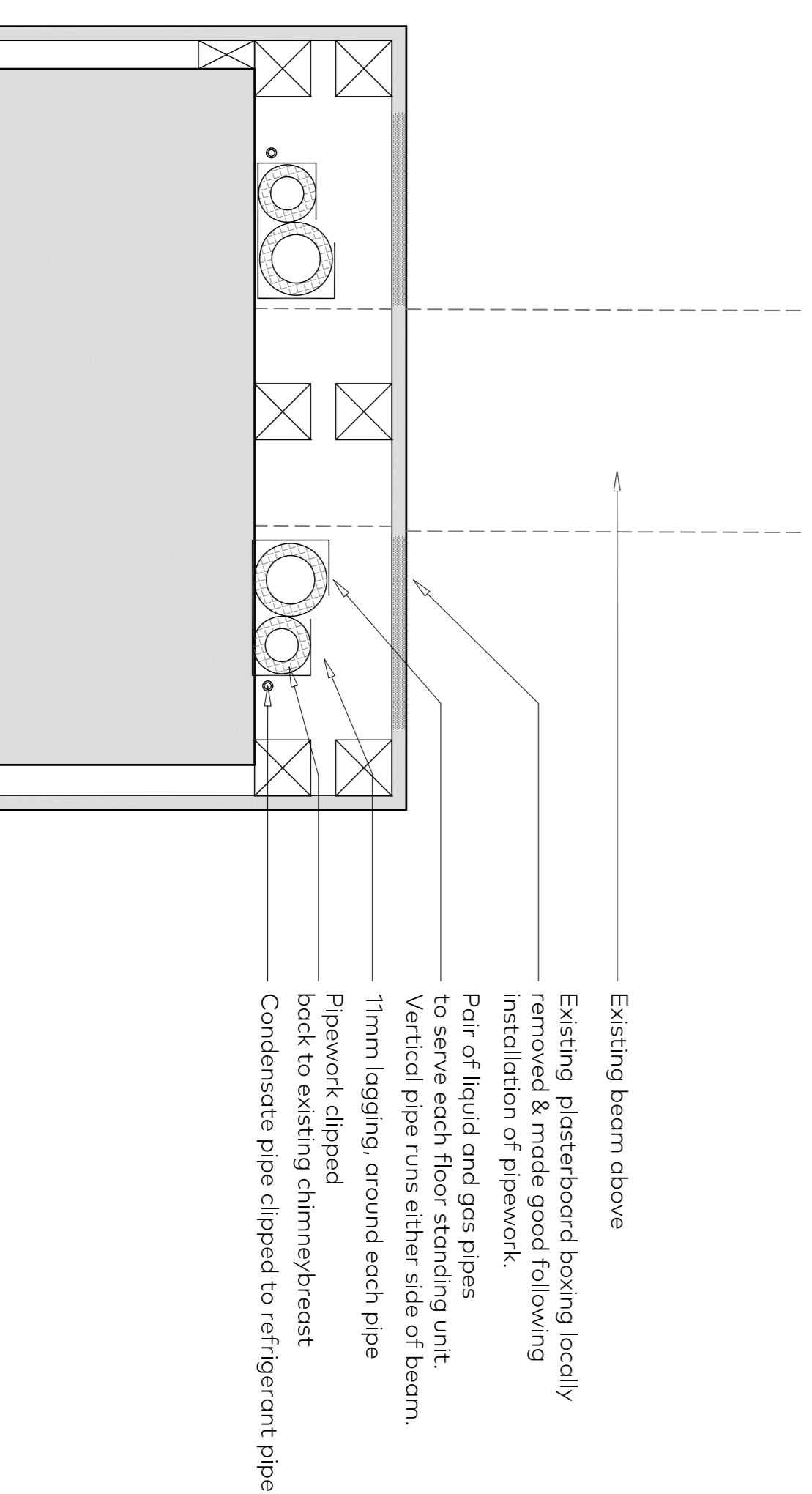
03 VRF PIPEWORK IN-FLOOR DETAIL
1:5@A1



02 VRF PIPEWORK ROOF PENETRATION DETAIL
1:10@A1



04 VRF PIPEWORK BOXING DETAIL TO BEAM
1:5@A1



05 VRF PIPEWORK BOXING DETAIL TO CHIMNEYBREAST
1:5@A1

Rev	Issue Date	Revision Notes	Drawn
A	06.07.2018	Issued for Comment	YD
B	11.02.2018	Issued for Planning	YD
C	13.02.2018	Issued for Planning	YD
E	12.02.2018	Issued for Planning	JN
F	01.11.2018	Issued for Planning	CG
G	06.11.2018	Issued for Planning	CG

General Notes
Do not scale. All within dimensions must be checked on site before work commences on site or in shop. Figure dimensions take preference over those scaled. Discrepancies, where identified, must be reported to the Architect immediately. Any errors indicated on drawings must be corrected immediately. All work must be carried out in accordance with the Building Regulations and to the satisfaction of the Local Authority.

PLANNING

Job Number	Drawing Number	Rev	Scale
815	(01)910	G	As Shown

Drawing Title	Project
VRF Pipework Details	Holborn Hall
Client	Mactaggart Inv Co Ltd
Date	26.06.2018
	drawn
	checked