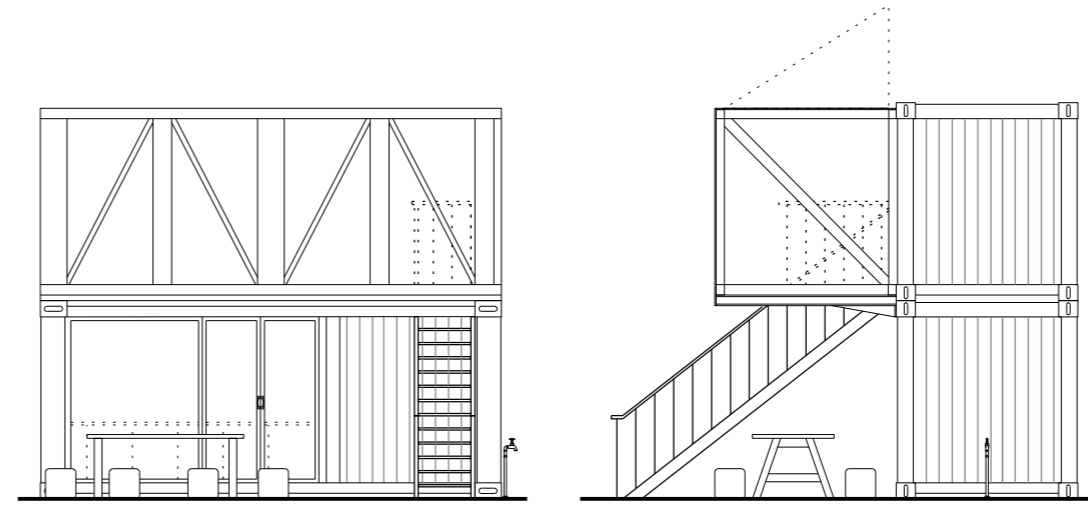


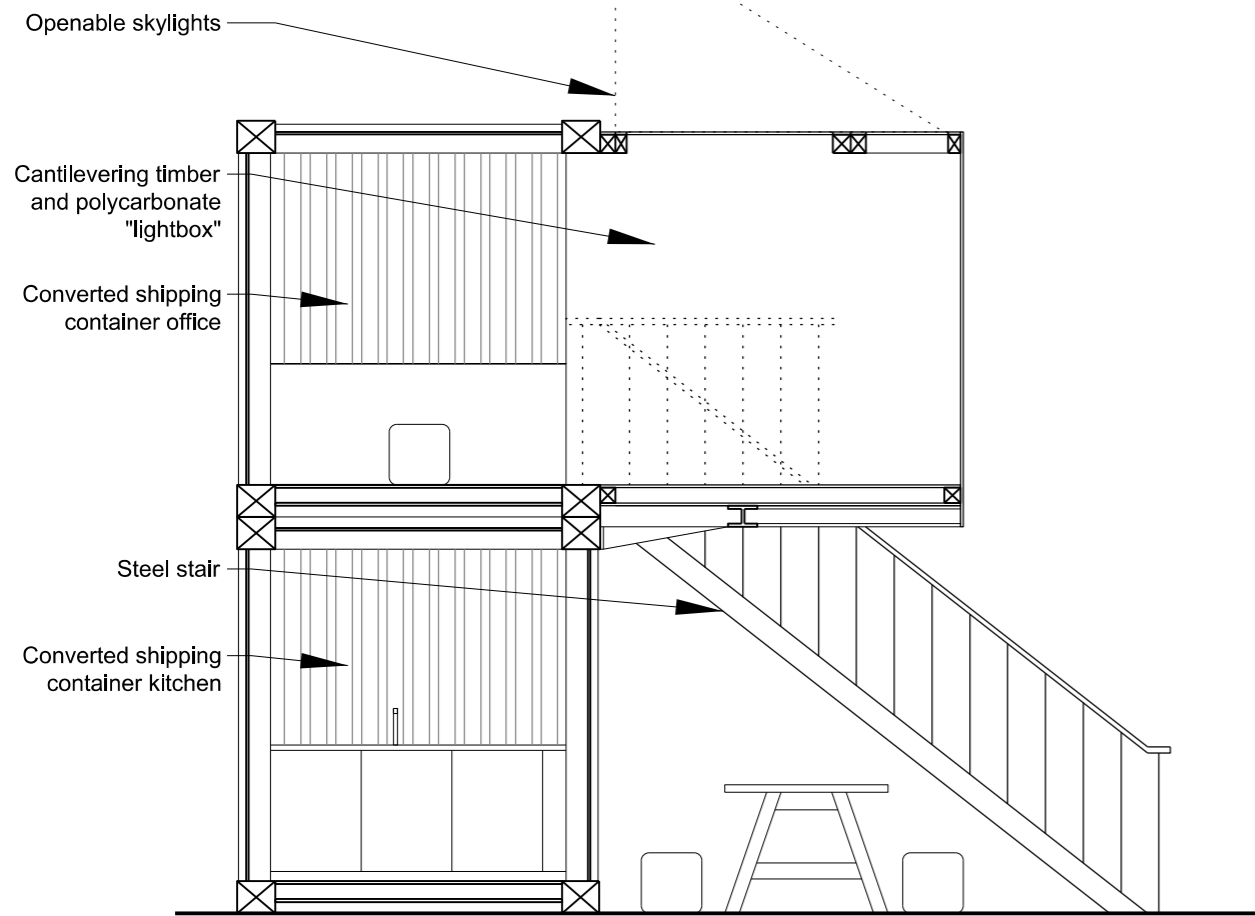
Elevation 1 (1:100)

Elevation 2 (1:100)

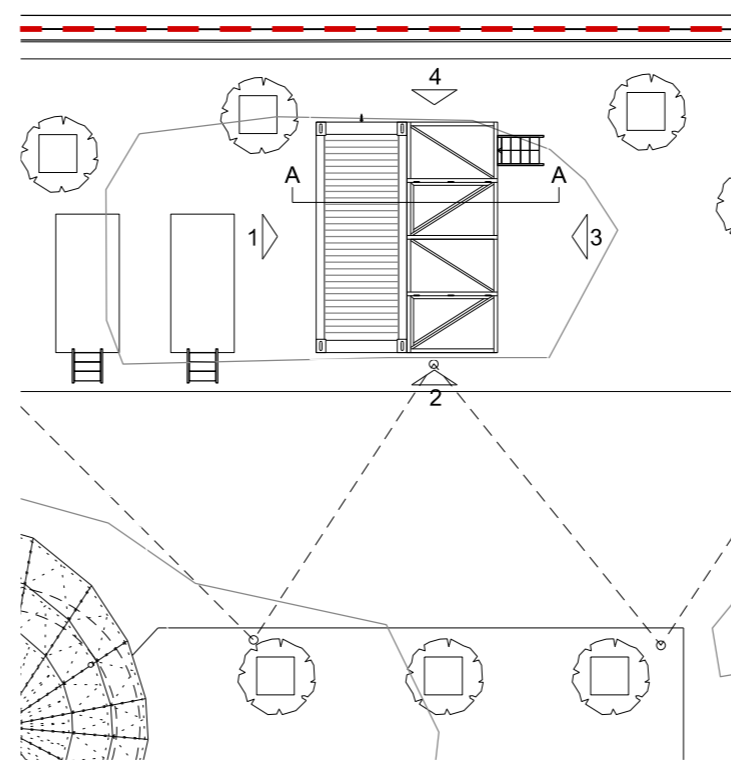


Elevation 3 (1:100)

Elevation 4 (1:100)



Section AA (1:50)



Location Plan (1:200)

**Client**

Global Generation  
 British Library  
 Story Garden (working title)

**Project Number**

134

**Drawing name**

Proposed Kitchen/Office  
 Plans Sections and Elevations

**Drawing number**

006

**Scale**

1:200 1:100 & 1:50

**Revision**

-

**Drawing status**

Planning

**Page size**

A3

**Date**

09/11/2018

**Drawn by**

KM

**Checked by**

JK

Copyright owned by Jan Kattein Architects.

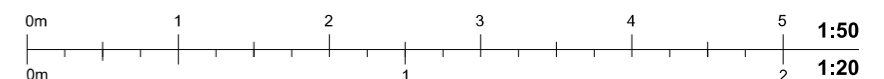
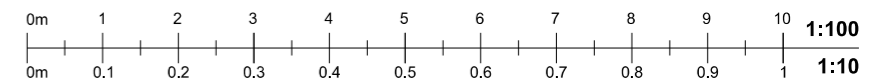
**Date Revision Description**

- - -

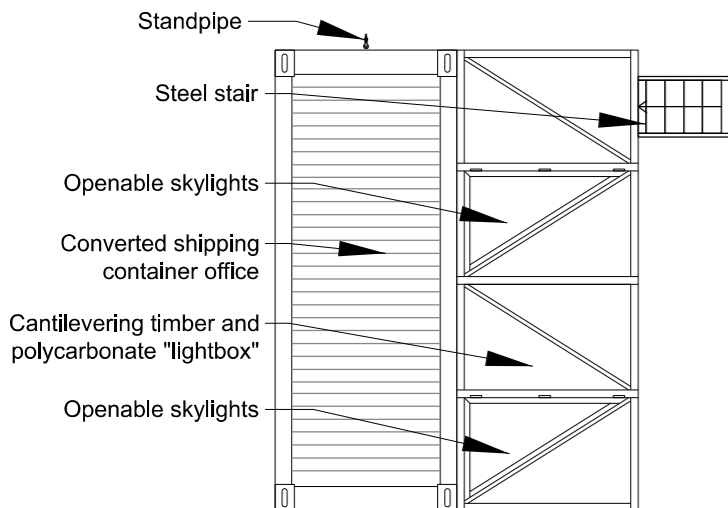
**JAN KATTEIN ARCHITECTS**

277 New North Road  
 London N1 7AA / UK  
 +44 [0]20 7704 0604

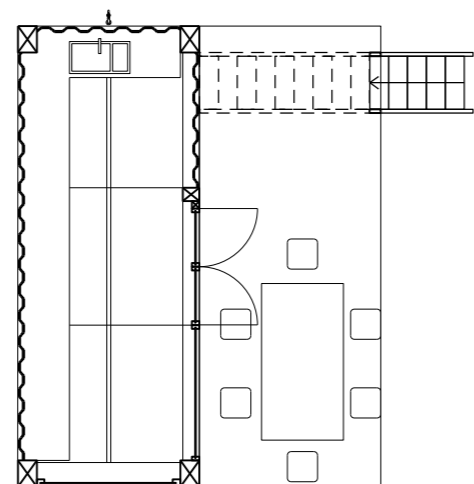
www.jankattein.com / mail@jankattein.com



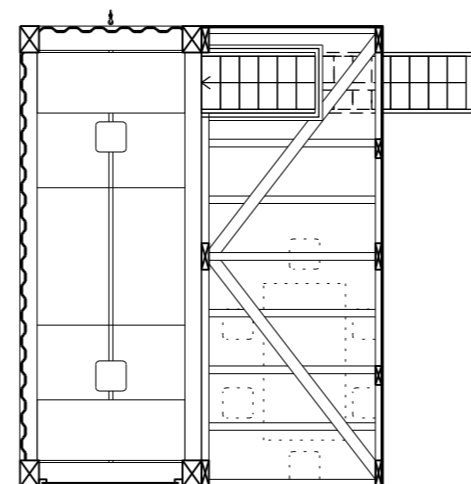
1inch = 25.4mm 1ft = 304.8mm



Roof Plan (1:100)



Ground Floor Plan (1:100)



1st Floor Plan (1:100)

