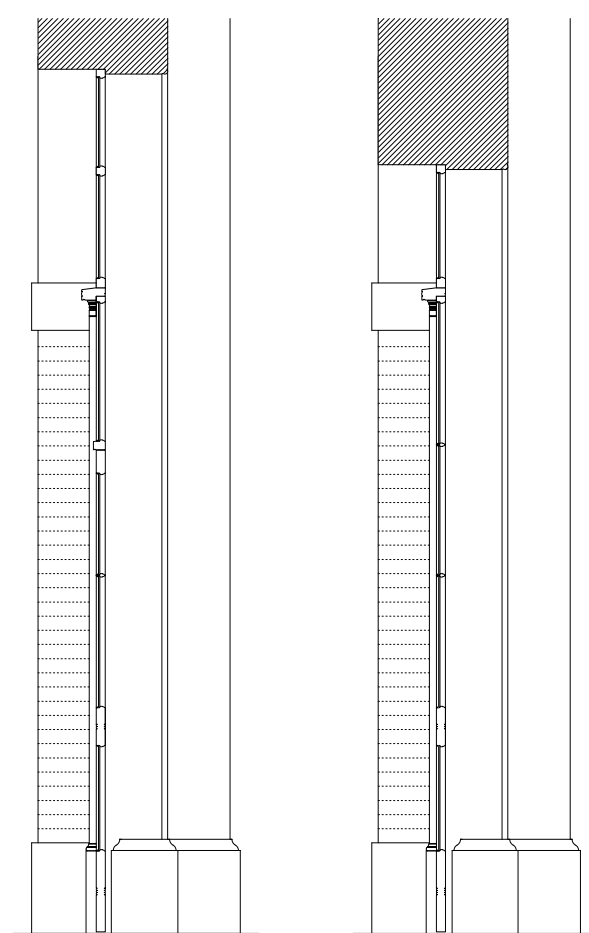
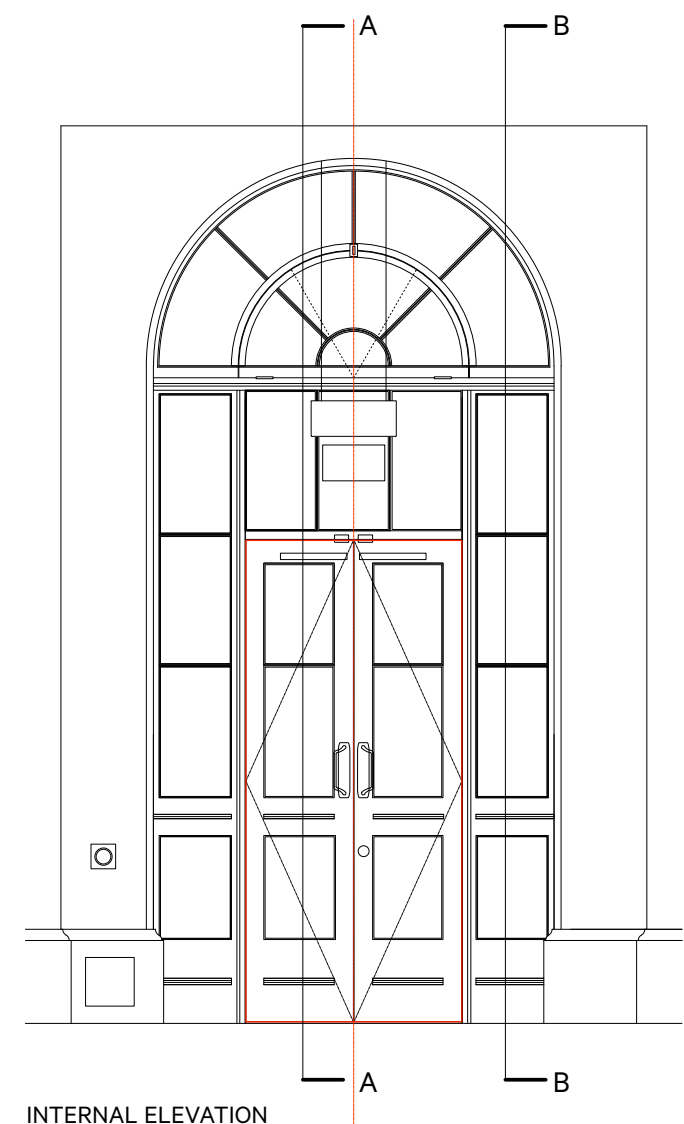


EXTERNAL ELEVATION

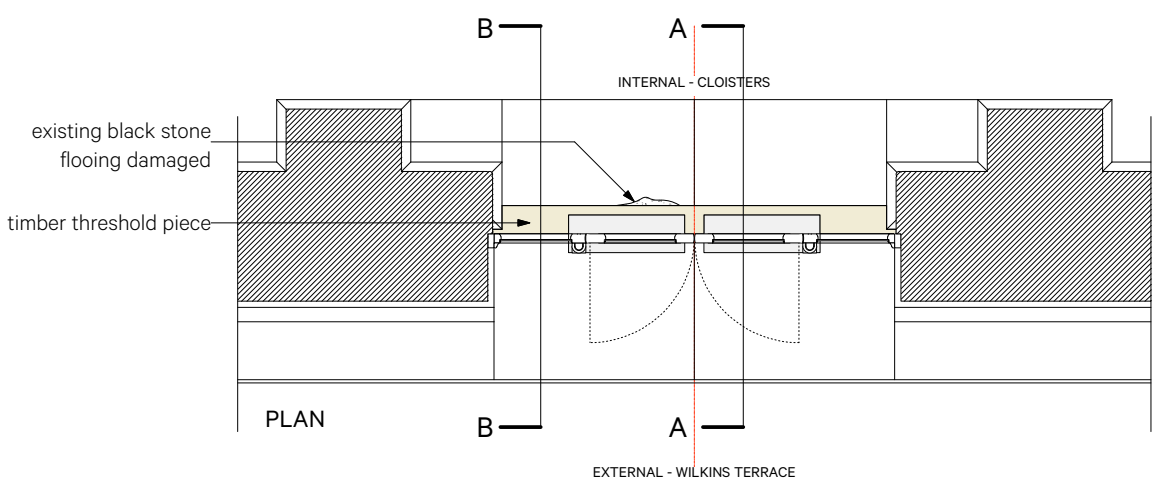


SECTION AA

SECTION BB



INTERNAL ELEVATION



PLAN



DG-01



DG-02



DG-03



DG-04

Revision	Date	Amendment	Notes					Client	Project	Drawing	Scale	Date	Drawn	Revision	Burwell Deakins		
P1	17.09.2018	Planning Issue						University College London	Wilkins Building Core Areas - Cloister Doors	Cloister Doors as Existing	1:20 @ A1	September 2018	CL	P1	info@burwellarchitects.com www.burwellarchitects.com	Unit 001 California Building London SE13 7SF +44 (0) 2083 056010	First Floor 6 Southernhay West Exeter EX1 1JG +44 (0) 1392 423981
				NO DIMENSIONS ARE TO BE SCALED FROM THIS DRAWING. THE CONTRACTOR/MANUFACTURER IS RESPONSIBLE FOR CHECKING ALL DIMENSIONS AND QUERYING ANY DISCREPANCIES. THIS DRAWING IS THE PROPERTY OF BDA ARCHITECTS LTD. COPYRIGHT IS RESERVED BY THEM AND THE DRAWING IS ISSUED ON CONDITION THAT IT IS NOT COPIED, REPRODUCED, RETAINED OR DISCLOSED TO ANY UNAUTHORISED PERSON, EITHER WHOLLY OR IN PART, WITHOUT WRITTEN CONSENT.				Project N°	Drawing N°	Revision							
								791	791/PL/020	P1							