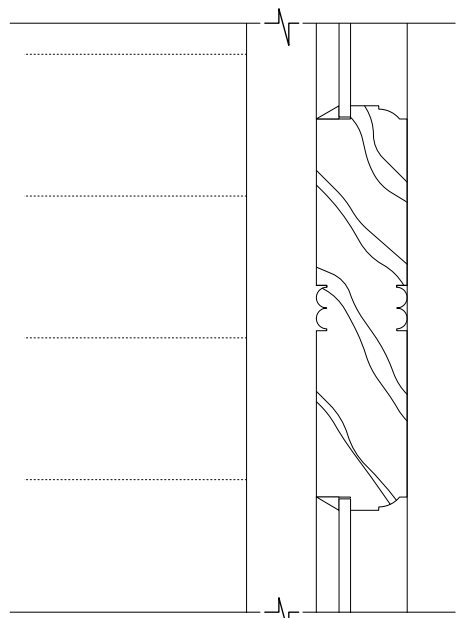
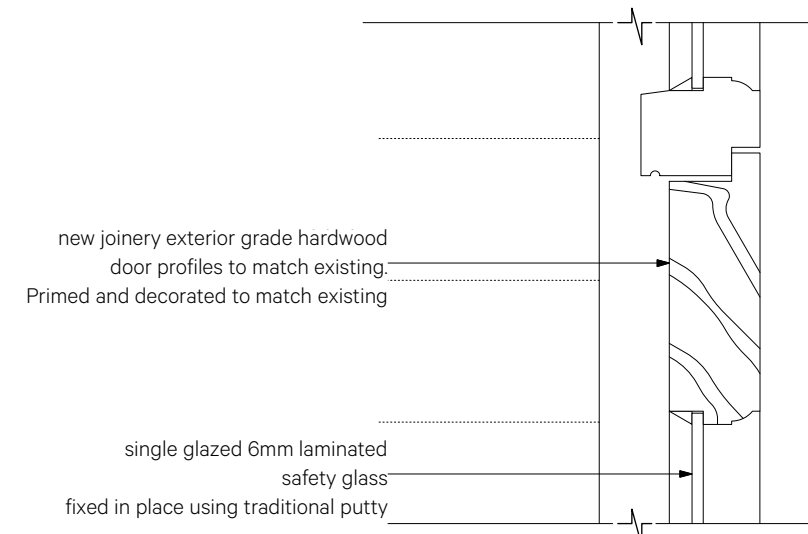


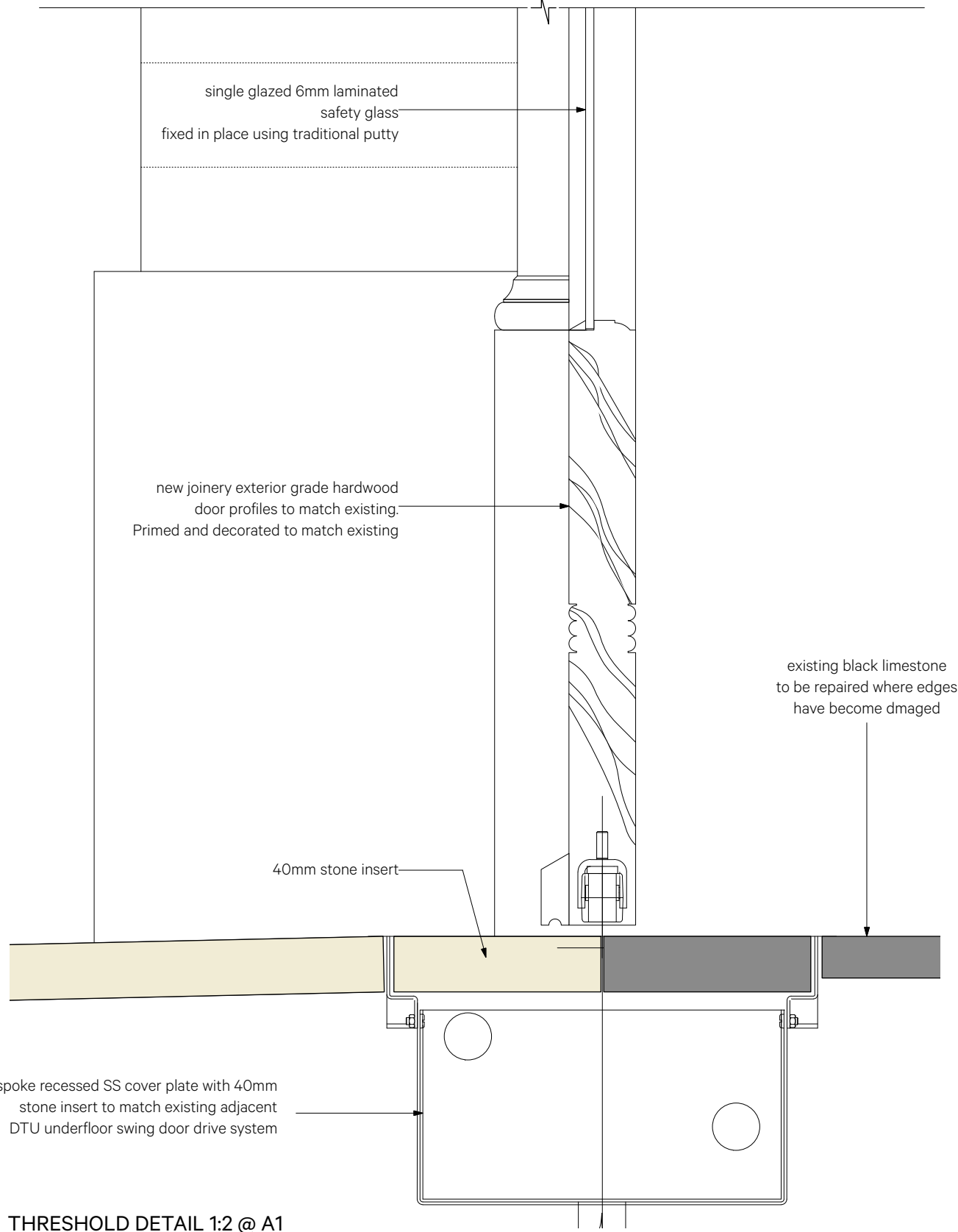
TRANSOM DETAIL 1:2 @ A1



CENTRAL RAIL DETAIL 1:2 @ A1



DOOR HEAD DETAIL 1:2 @ A1



THRESHOLD DETAIL 1:2 @ A1

**NB: TIMBER PROFILES TO MATCH EXISTIING**

| Revision | Date       | Amendment      | Notes |  |  |  |  |  |  |  |  |   |                | Client                    | Project                                      | Burwell Deakins   |     |            |  |          |    |  |  |  |  |
|----------|------------|----------------|-------|--|--|--|--|--|--|--|--|---|----------------|---------------------------|--|---|-----|------------|--|----------|----|--|--|--|--|
| P1       | 17.09.2018 | Planning Issue |       |  |  |  |  |  |  |  |  |   |                | University College London | Wilkins Building Core Areas - Cloister Doors | info@burwellarchitects.com<br>www.burwellarchitects.com                   |     |            |  |          |    |  |  |  |  |
|          |            |                |       |  |  |  |  |  |  |  |  | Scale   | 1:2 @ A1       | Drawn                     | CL   | Unit 001<br>California Building<br>London SE13 7SF<br>+44 (0) 2083 056010 |     |            | First Floor<br>6 Southernhay<br>West Exeter EX1 1JG<br>+44 (0) 1392 423981 |          |    |  |  |  |  |
|          |            |                |       |  |  |  |  |  |  |  |  | Date  | Septembre 2018 |                           |  | Project N°  | 791 | Drawing N° | 791/PL/031   | Revision | P1 |  |  |  |  |
|          |            |                |       |  |  |  |  |  |  |  |  | NO DIMENSIONS ARE TO BE SCALED FROM THIS DRAWING. THE CONTRACTOR/MANUFACTURER IS RESPONSIBLE FOR CHECKING ALL DIMENSIONS AND QUERYING ANY DISCREPANCIES. THIS DRAWING IS THE PROPERTY OF BDA ARCHITECTS LTD. COPYRIGHT IS RESERVED BY THEM AND THE DRAWING IS ISSUED ON CONDITION THAT IT IS NOT COPIED, REPRODUCED, RETAINED OR DISCLOSED TO ANY UNAUTHORISED PERSON, EITHER WHOLLY OR IN PART, WITHOUT WRITTEN CONSENT. |                |                           |  |   |     |            |  |          |    |  |  |  |  |