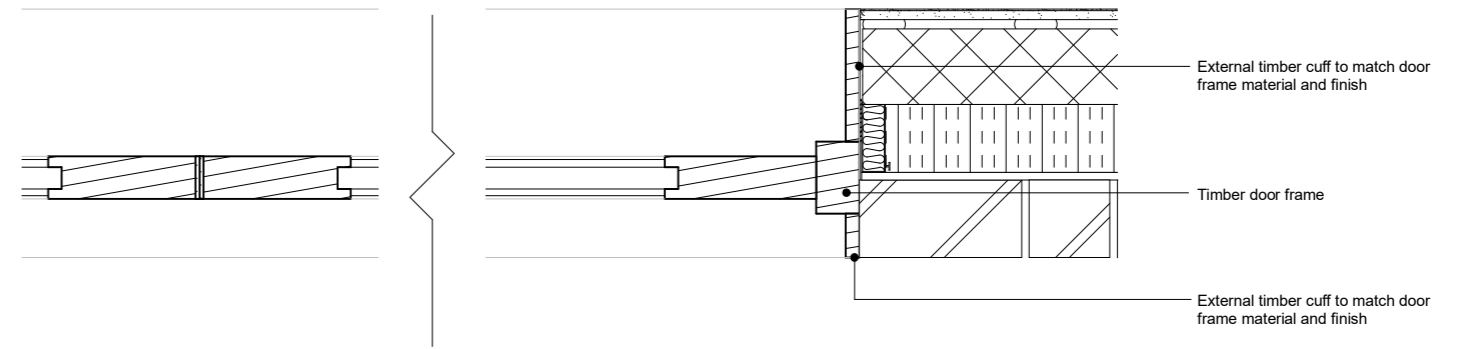
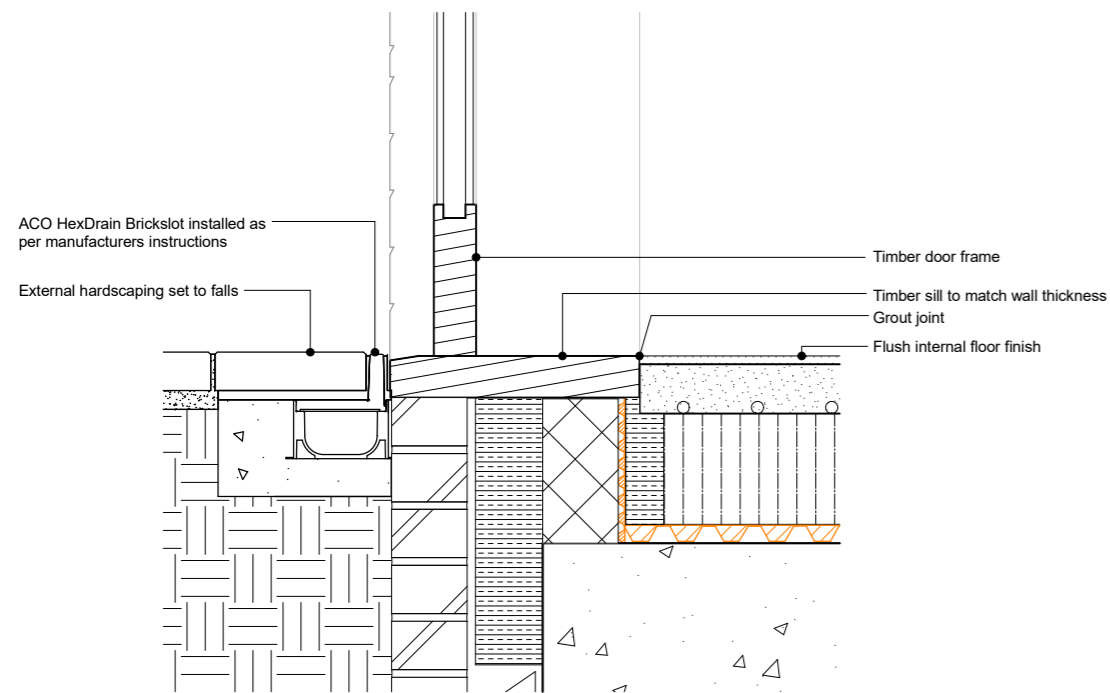


LGF PATIO DOOR HEAD DETAIL
Scale 1:10 @ A3

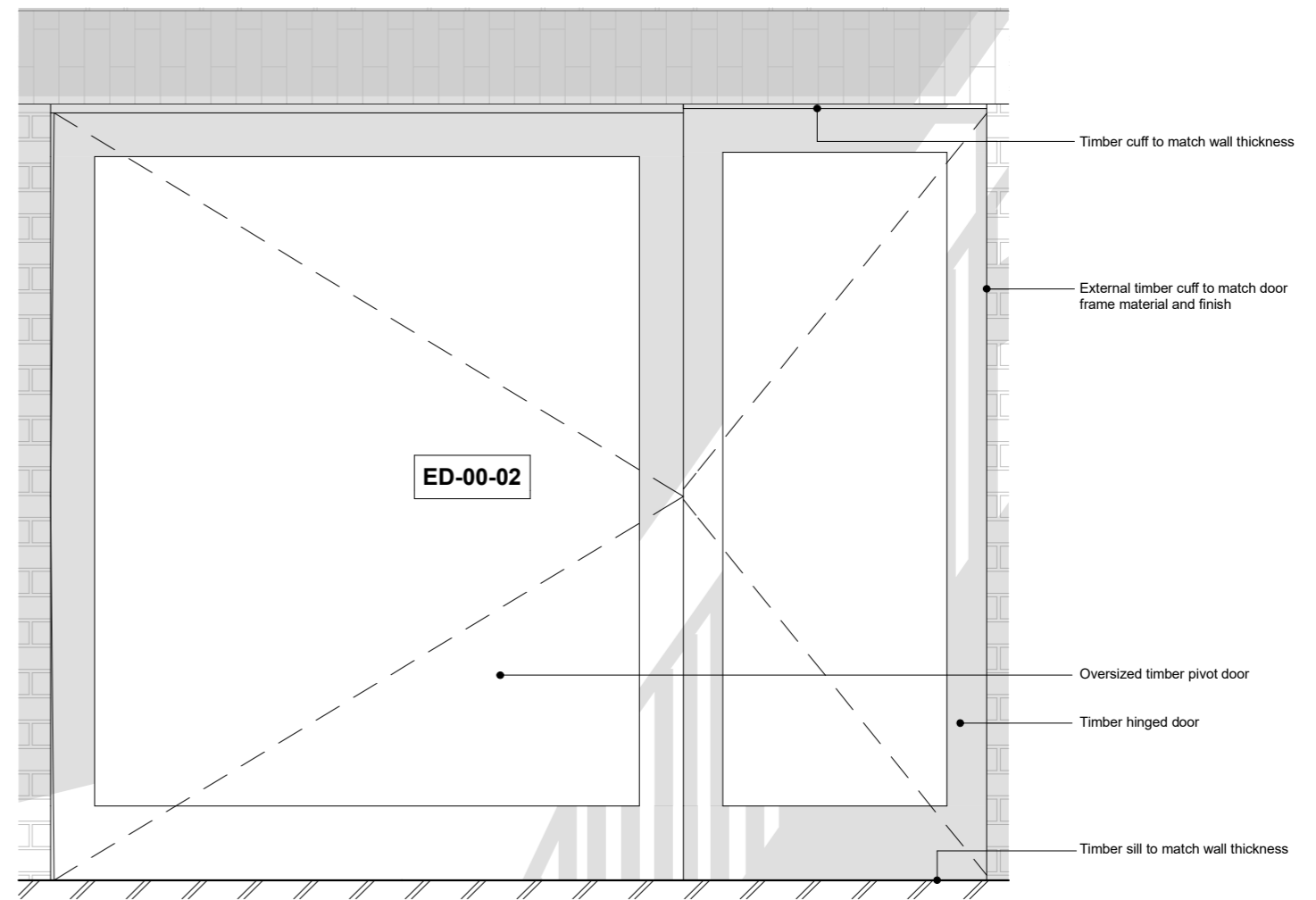


LGF PATIO DOOR PATIO DETAIL
Scale 1:10 @ A3

LGF PATIO DOOR PATIO DETAIL
Scale 1:10 @ A3



LGF PATIO DOOR SILL DETAIL
Scale 1:10 @ A3



LGF PATIO DOOR ELEVATION
Scale 1:10 @ A3

PATIO DOOR: ED-00-02

Rev:	Date:	Description:	By:	Chkd:

Rev:	Date:	Description:	By:	Chkd:

The copyright of this drawing and design remains the intellectual property of the designers and may not be used without the written permission of alma-nac Ltd. Do not Scale. Verify all dimensions on site before commencing work or preparing shop drawings. Report any discrepancies, errors or omissions to the designers and await further instructions before the commencement of works. All building materials, components and workmanship to comply with the appropriate public health acts, building regulations, British standards, codes of practice and the appropriate manufacturer's recommendations. Ensure all works are carried out within the prescribed hours of work and that all tools are of a non-percussive type where possible. Refer to the relevant drawings or method statement for all specialist work.

Project: PILGRIMS LANE, London, NW3 1SS	
Project Number: 215	Date: 02/11/2018
Scale: 1:10, 1:20 @A3	Drawn By: AS
	Checked By: TW

Drawing Number: 422	Drawing Status: TENDER	Revision: 01
Title: LGF TIMBER DOOR DETAILS		
11 Waterloo Court, 10 Theed Street, London SE1 8ST +44 (0)20 7928 2092 / info@alma-nac.com		