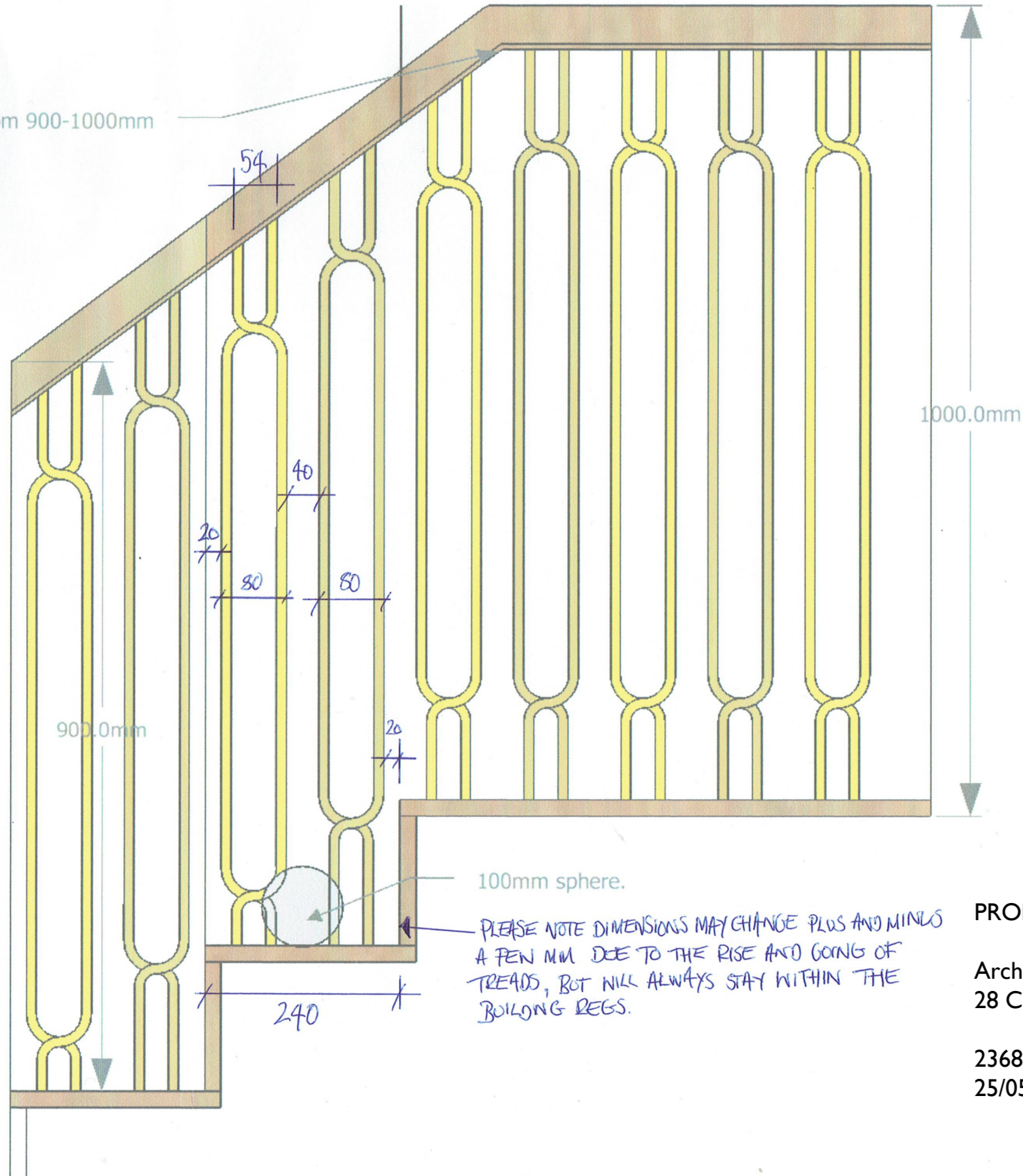


PROPOSED BALUSTRADE DETAILS

Archimet Fabrication Drawing
28 Chester Terrace

236868- SK01
25/05/18

Transition from 900-1000mm



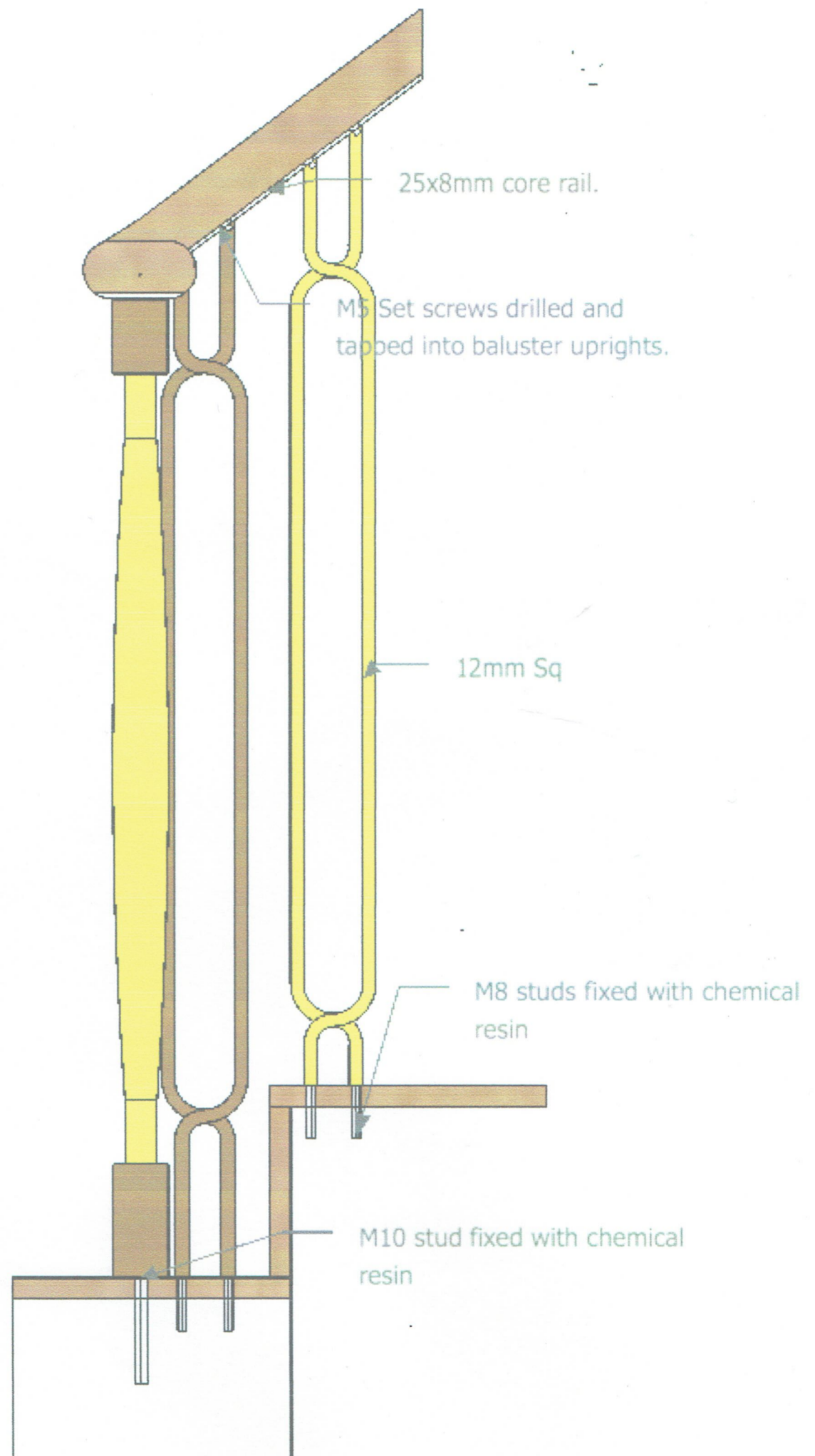
100mm sphere.

PLEASE NOTE DIMENSIONS MAY CHANGE PLUS AND MINUS A FEW MM DUE TO THE RISE AND GOING OF TREADS, BUT WILL ALWAYS STAY WITHIN THE BUILDING REGS.

PROPOSED BALUSTRADE DETAILS

Archimet Fabrication Drawing
28 Chester Terrace

236868- SK02
25/05/18



PROPOSED BALUSTRADE DETAILS

Archimet Fabrication Drawing
28 Chester Terrace

236868- SK03
25/05/18

WINDER DETAIL

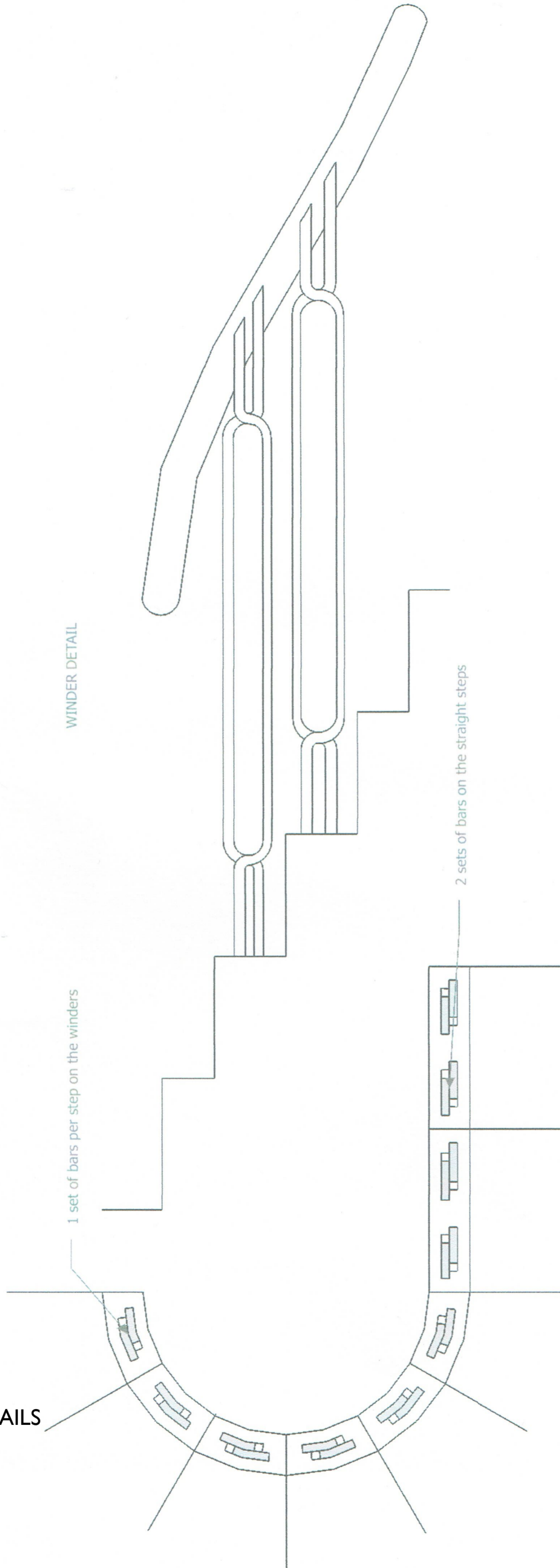
1 set of bars per step on the winders

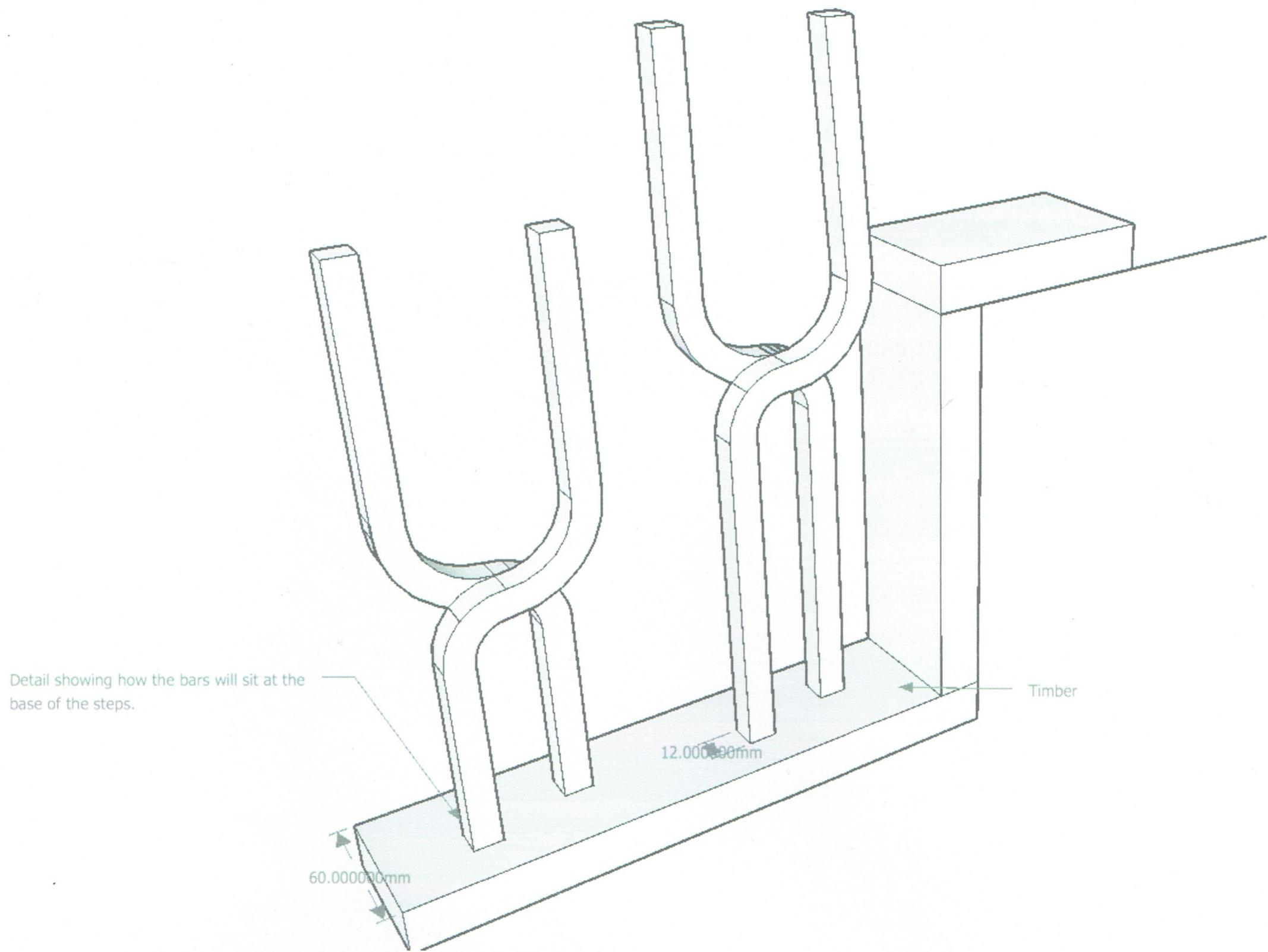
2 sets of bars on the straight steps

PROPOSED BALUSTRADE DETAILS

Archimet Fabrication Drawing
28 Chester Terrace

236868- SK04
25/05/18





PROPOSED BALUSTRADE DETAILS

Archimet Fabrication Drawing
28 Chester Terrace

236868- SK05
25/05/18