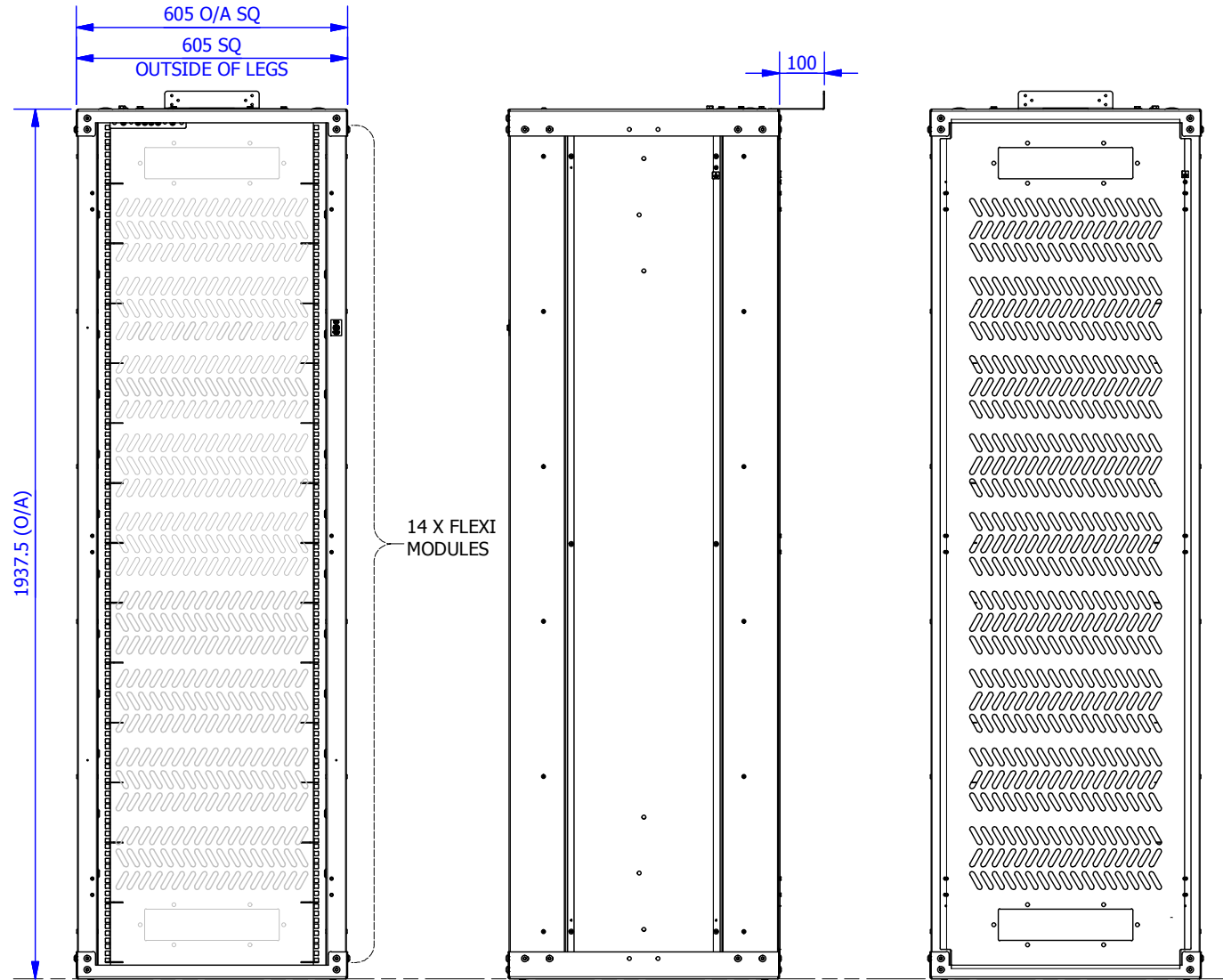


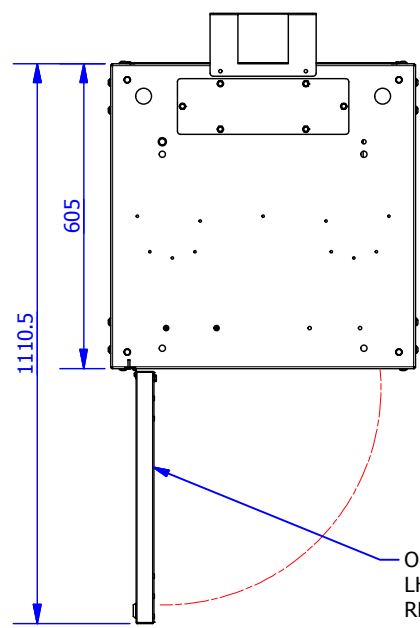
DO NOT SCALE - IF IN DOUBT ASK



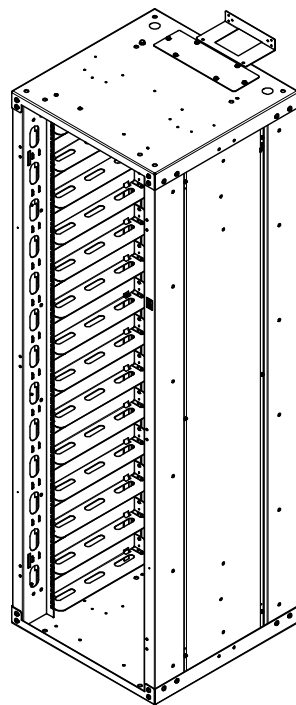
FRONT VIEW (1 : 15)
ASSEMBLED

RHS VIEW
ASSEMBLED

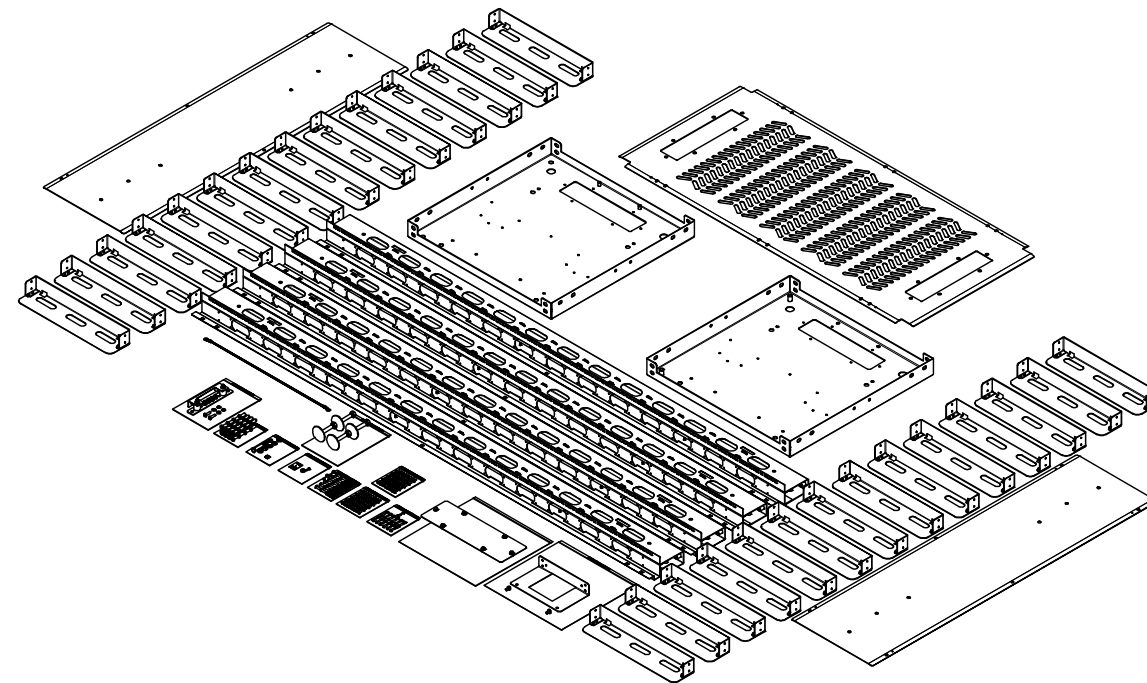
REAR VIEW
ASSEMBLED



PLAN VIEW
WITH OPTIONAL DOOR



ISO VIEW
ASSEMBLED



ISO VIEW
FLAT PACK KIT FORM, SEE DRAWING:
1TS_0000161 FOR FURTHER DETAILS

NOTES:

1Try 19" - 42U Microcell Rack supplied in flat pack kit form.

Provided with rear and side panels.

Optional protective, secure door is intended to be used with the Rack to offer additional protection to the installed equipment.

Standard Door Lock Option: Triangle 7mm

1Try 19" Rack and optional secure door are manufactured from Galvanised Steel (G275).

Metalwork comes with a powder coated finish, RAL colour options are available.

All external fixings are stainless steel.

Optional Products:

- 1TP_100055 - Secure Door Kit
- 1TP_100029 - Combiner Shelf
- RAL Colour Power Coated Paint Options Available

All fixing Kits and small items to be supplied in a box

Please refer to document (1TR_100009_A -27U & 42U 19 Inch Rack Assembly Build Document) for build instructions.

REV	DATE	DRAWN	CHECKED	DESCRIPTION
A	08/08/2017	PMH	PDT	FIRST ISSUE

<p>1Try Limited Excellence In Infrastructure</p>		<p>DESIGN PRODUCTS SERVICES</p>		<p>1Try, 29 Dale Road, Sheriff Hutton, York, YO60 6RZ +44(0)1904 236239 Website: www.1Try.co.uk Email: Enquiries@1Try.co.uk</p>	
MODELLED	BY PMH	DATE 31/07/2017	CHECKED PDT	DRAWING SIZE: A3	
DETAILED	BY PMH	DATE 31/07/2017	CHECKED PDT	WEIGHT: N/A BASE VIEW SCALE: 1 : 22.5	
<p>TOLERANCES: UNLESS STATED OTHERWISE ALL TOLERANCES ARE TO: 1Try Ltd STANDARD TOLERANCE DRAWING. PROTECTIVE COATING: UNLESS STATED OTHERWISE SEE PROJECT TOP LEVEL DRAWING MATERIAL: UNLESS STATED OTHERWISE ALL MATERIAL:</p>				<p>TITLE: 42U MICROCELL RACK (OUTDOOR - FLAT PACK - BARE)</p>	
<p>THIS DRAWING AND THE INFORMATION IT CONTAINS ARE THE PROPERTY OF 1Try Ltd. IT IS NOT TO BE COPIED, REPRODUCED OR DIVULGED TO A THIRD PARTY WITHOUT WRITTEN PERMISSION.</p>				PROJECT No	DRAWING No 1TP_100054
				REV	A