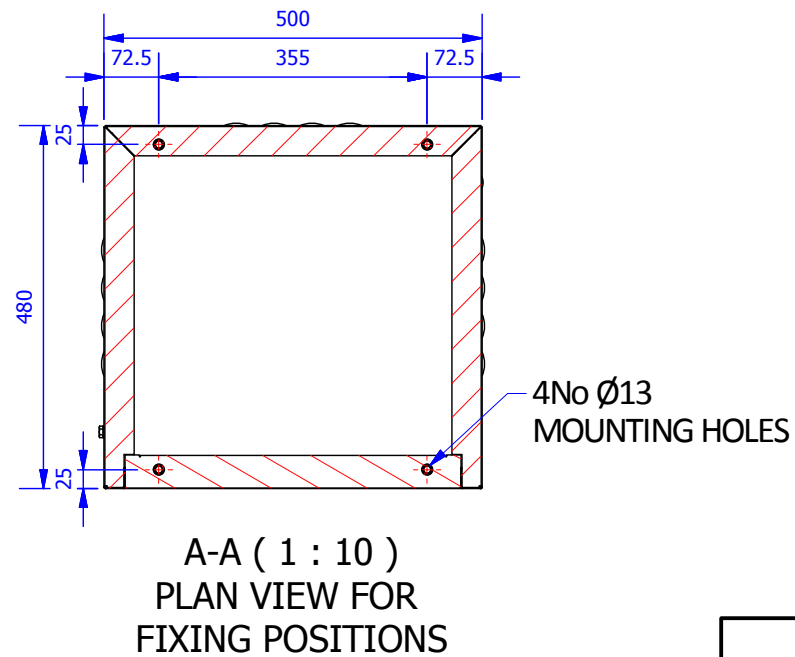
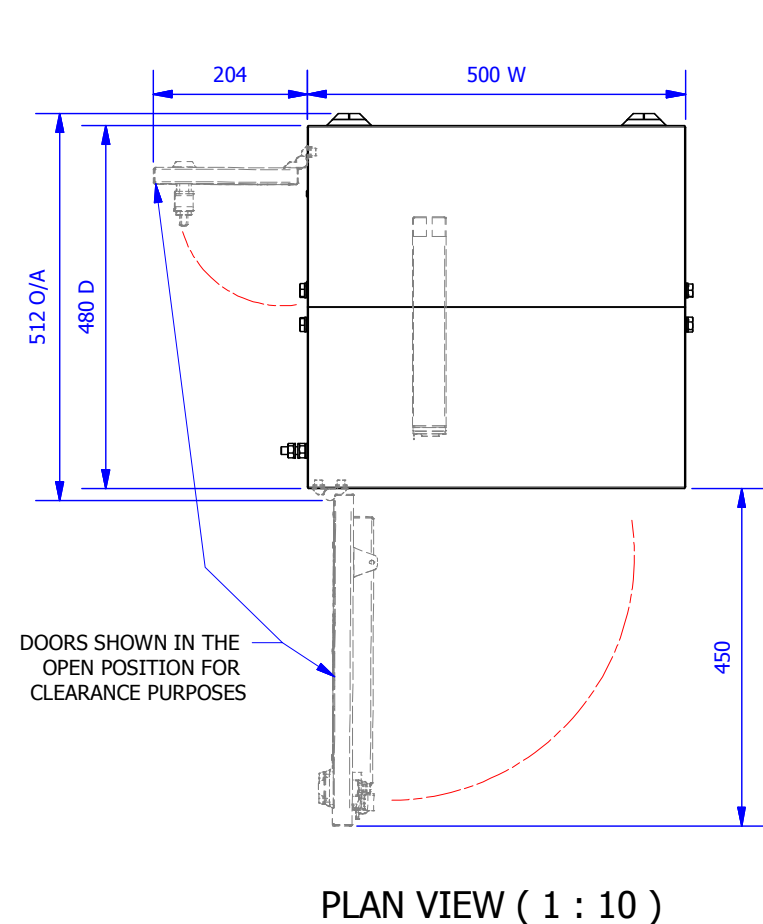
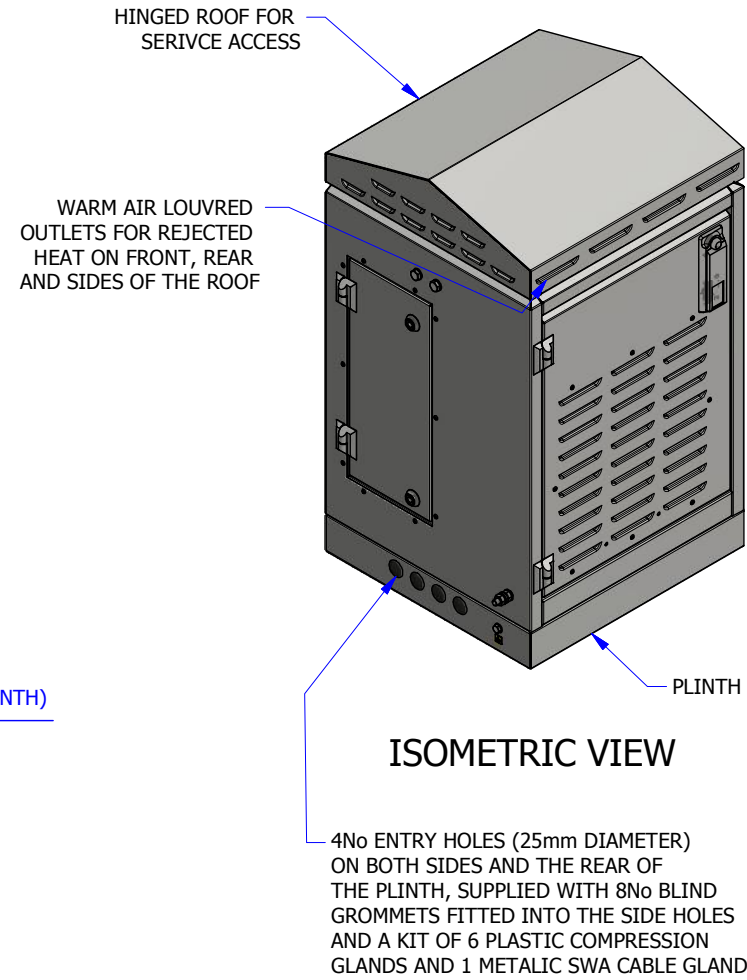
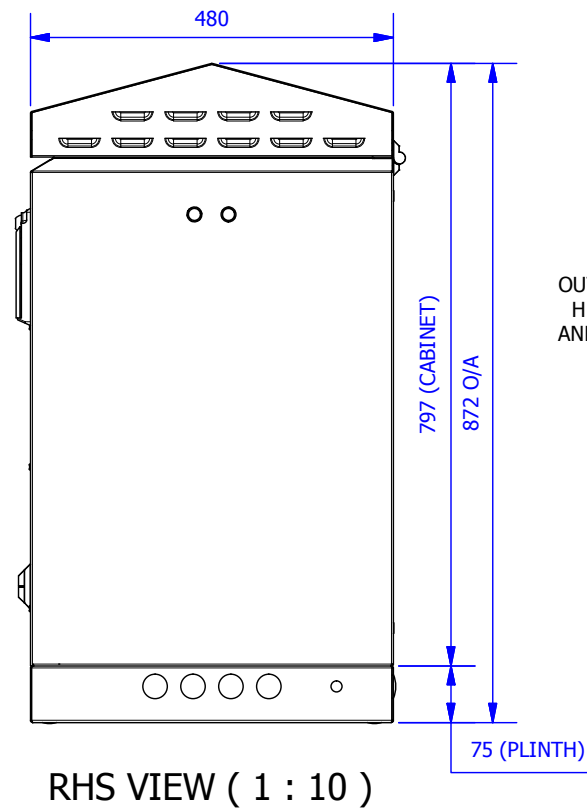
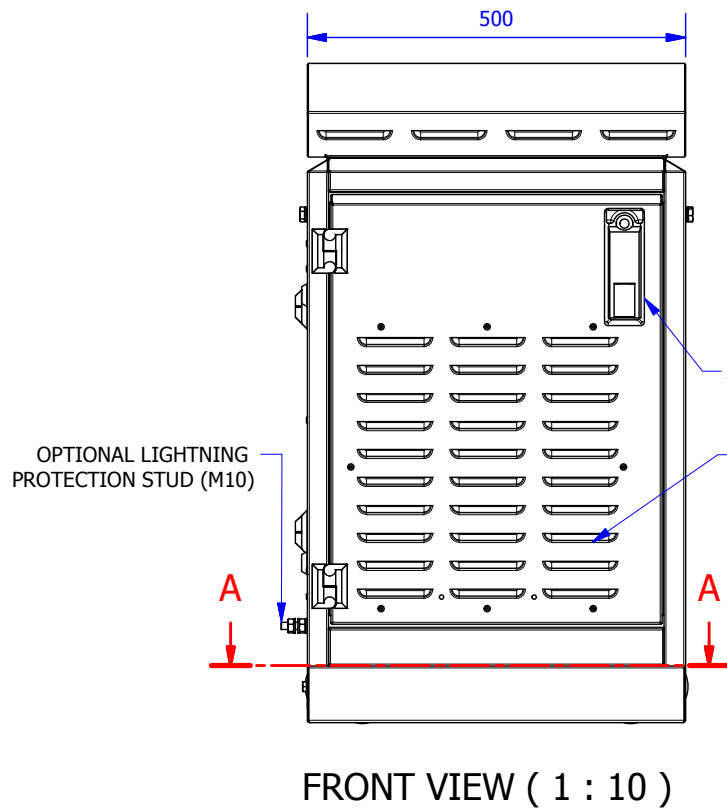


DO NOT SCALE - IF IN DOUBT ASK



NOTES

1TRY UTILITY ENCLOSURE.
AN IP 55 RATED STEEL ENCLOSURE OFFERING MULTIPLE CONFIGURATION OPTIONS TO SERVICE VARYING UTILITY REQUIREMENTS.

PRODUCT SPECIFICATION
STEEL ENCLOSURE TO 4003(NIROSTA) GRADE.
IP55 RATING WITH HYDROPHOBIC FILTRATION TO REMOVE PARTICULATE MOISTURE .
DC POWERED FAN AND CONTROL UNIT. CONFIGURABLE DEPLOYMENT OPTIONS FOR SPACE AND POWER.
AC CONSUMER UNIT AND USER SOCKET SUPPLIED AS DEFAULT. SMALL FOOTPRINT.
WEIGHT UNPOPULATED 60KG.
POWER COATED RAL PAINT FINISH.
INTENDED TO BE DEPLOYED WITH A SHALLOW PLINTH FOR FLOOR OR GRILLAGE MOUNTING.
OPTIONS OF A DEEPER 200mm HIGH PLINTH OR WALL MOUNTING KIT (1TP_100049) ARE AVAILABLE AND SHOULD BE SPECIFIED ON ORDER

INTENDED TO BE FED FROM A 32 AMP AC SUPPLY.

DEPLOYMENT OPTIONS

1. ELTEK FPS (1U) C/W 2 X 1.8KW HE RECTIFIERS
2. 1U FIXED LINE TRANSMISSION RAIL 1TP_100013
3. LEAVING 6U OF FULL DEPTH (370mm) & 1U OF REDUCED DEPTH (140mm) USABLE MOUNTING SPACE.

ALL DIMENSIONS IN mm UNLESS STATED OTHERWISE

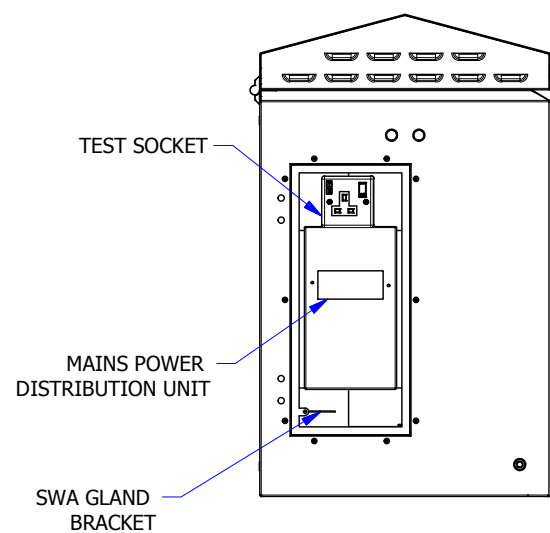
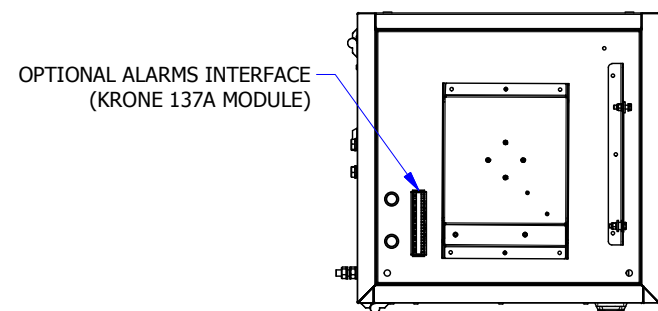
SHEET 1 OF 2 PLEASE SEE SHEET 2 FOR INTERNAL DETAILS

PSU WAS FP2 3U NOW FPS (1U) - CONFIGURATIONS UPDATED	D	02/08/2017	PMH	PDT
PSU AND DC DISTRIBUTION CONFIGURATIONS UPDATED	C	28/07/2017	PMH	PDT
GENERAL NOTES AND DIMENSIONS UPDATED	B	03/04/2017	PMH	PDT
FIRST ISSUE	A	06/12/2016	PHM	PDT
DESCRIPTION	REV	DATE	DRAWN	CHECKED

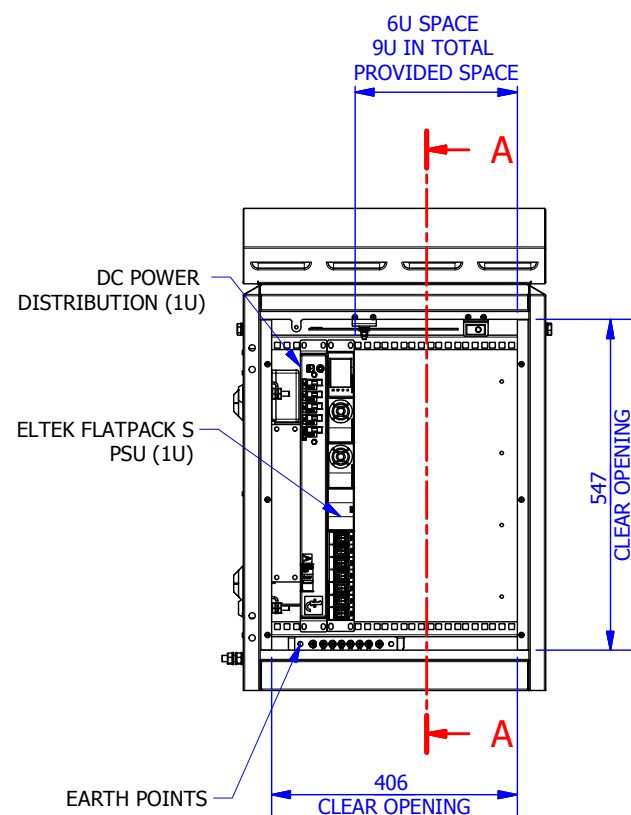
					1try, 29 Dale Road, Sheriff Hutton, York, YO60 6RZ +44(0)1904 236239 Website: www.1Try.co.uk Email: Enquiries@1Try.co.uk	
MODELLED	BY	DATE	CHECKED	DRAWING SIZE: A3		
DETAILED	PMH	06/12/2016	PDT	WEIGHT: 85.7 kg BASE VIEW SCALE: 1 : 12.5		
TOLERANCES: UNLESS STATED OTHERWISE ALL TOLERANCES ARE TO: 1try Ltd STANDARD TOLERANCE DRAWING. PROTECTIVE COATING: UNLESS STATED OTHERWISE SEE PROJECT TOP LEVEL DRAWING MATERIAL: UNLESS STATED OTHERWISE ALL MATERIALS ARE THE PROPERTY OF 1try Ltd. IT IS NOT TO BE COPIED, REPRODUCED OR DIVULGED TO A THIRD PARTY WITHOUT WRITTEN PERMISSION.				TITLE: TOP LEVEL PROJECT DRAWING 1 TRY UTILITY ENCLOSURE (500 SQUARE WALL MOUNTED)		
PROJECT No		DRAWING No		REV		
1TP_100015		1TP_100015		D		

DRAWING STATUS: **RELEASED FOR MANUFACTURE**

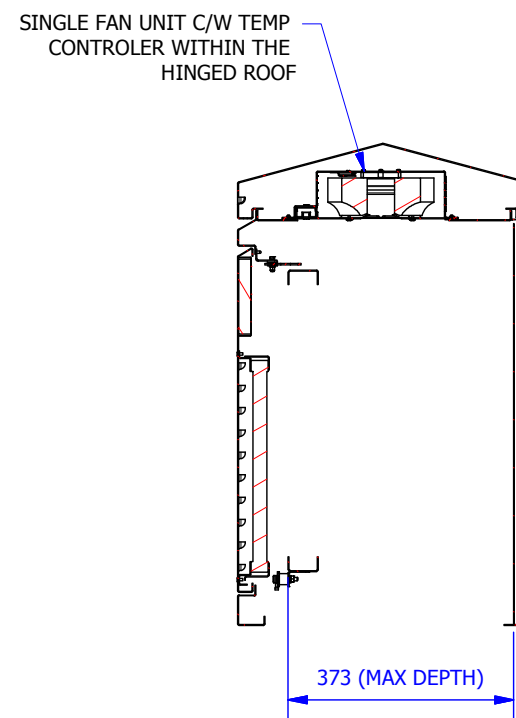
DO NOT SCALE - IF IN DOUBT ASK



LHS VIEW



FRONT ELEVATION



SECTION VIEW ON: A-A


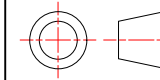
NOTES

ALL DIMENSIONS IN MM UNLESS STATED OTHERWISE

THIS CONFIGURATION SHOWS THE DEFAULT 9U USER SPACE COMPLETE WITH 3.6kW (2 X 1.8kW RECTIFIERS) -48V DC POWER SUPPLY (1U) AND ASSOCIATED TRANSMISSION RAIL (1U), LEAVING 6U OF ADDITIONAL SPACE FOR TRANSMISSION EQUIPMENT.

THE ENCLOSURE CAN BE CONFIGURED TO SUIT CUSTOMER REQUIREMENTS

SHEET 2 OF 2 PLEASE SEE SHEET 1 FOR EXTERNAL DETAILS

<h1>1try Limited</h1> <p>Excellence In Infrastructure</p>			<p>DESIGN PRODUCTS SERVICES</p> 		<p>1try, 29 Dale Road, Sheriff Hutton, York, YO60 6RZ +44(0)1904 236239 Website: www.1Try.co.uk Email: Enquiries@1Try.co.uk</p>									
<table border="1"> <tr> <th>BY</th> <th>DATE</th> <th>CHECKED</th> </tr> <tr> <td>MODELLED</td> <td>PMH</td> <td>06/12/2016</td> </tr> <tr> <td>DETAILED</td> <td>PMH</td> <td>06/12/2016</td> </tr> </table>		BY	DATE	CHECKED	MODELLED	PMH	06/12/2016	DETAILED	PMH	06/12/2016	<p>DRAWING SIZE: A3</p> <p>WEIGHT: 85.7 kg BASE VIEW SCALE: 1 : 12.5</p>			
BY	DATE	CHECKED												
MODELLED	PMH	06/12/2016												
DETAILED	PMH	06/12/2016												
<p>TOLERANCES: UNLESS STATED OTHERWISE ALL TOLERANCES ARE TO: 1try Ltd STANDARD TOLERANCE DRAWING.</p> <p>PROTECTIVE COATING: UNLESS STATED OTHERWISE SEE PROJECT TOP LEVEL DRAWING</p> <p>MATERIAL: UNLESS STATED OTHERWISE ALL MATERIALS THIS DRAWING AND THE INFORMATION IT CONTAINS ARE THE PROPERTY OF 1try Ltd. IT IS NOT TO BE COPIED, REPRODUCED OR DIVULGED TO A THIRD PARTY WITHOUT WRITTEN PERMISSION.</p>			<p>TITLE: TOP LEVEL PROJECT DRAWING 1 TRY UTILITY ENCLOSURE (500 SQUARE WALL MOUNTED)</p>											
<p>PROJECT No 1TP_100015</p>		<p>DRAWING No 1TP_100015</p>		<p>REV D</p>										

DRAWING STATUS: RELEASED FOR MANUFACTURE