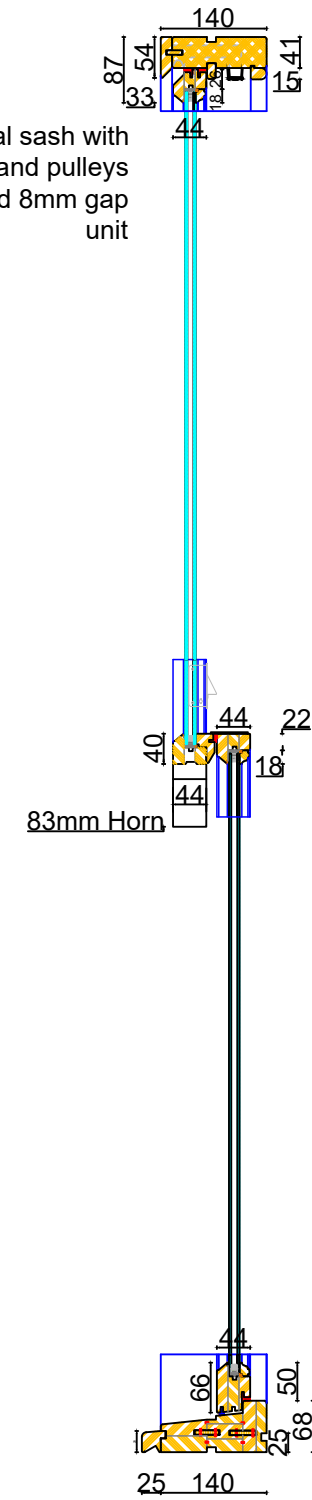
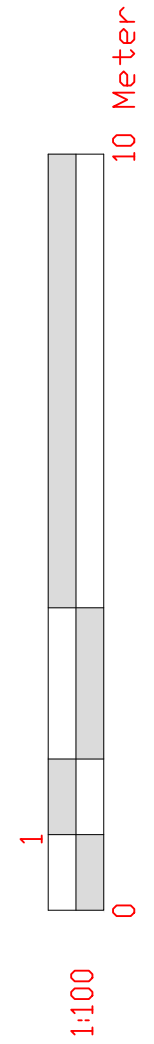




Traditional sash with weights and pulleys
Double Glazed 8mm gap unit



Notes:



EMPLOYER'S AGENTS & PROJECT MANAGERS
UNIT A COURT HOUSE, 11A HIGH STREET
BARNET EN5 5UJ
TEL: 020 8446 5537
E-MAIL: Planning@walkercc.co.uk

TITLE
Window Section

PROJECT
24 Quex Road

CLIENT
GENESIS HOUSING ASSOCIATION / KIER

SCALE: AS IDENTIFIED
CAD FILE: -
DATE: 27.09.18
DRAWN BY: SHA
CHECKED:

PROJECT NO.	DRAWING NO.	REVISION
4240	4240/WM/08	0