



THIS DRAWING IS THE PROPERTY AND COPYRIGHT OF "PEOPLE" AND SHALL NOT BE COPIED OR COMMUNICATED TO A THIRD PARTY WITHOUT CONSENT.

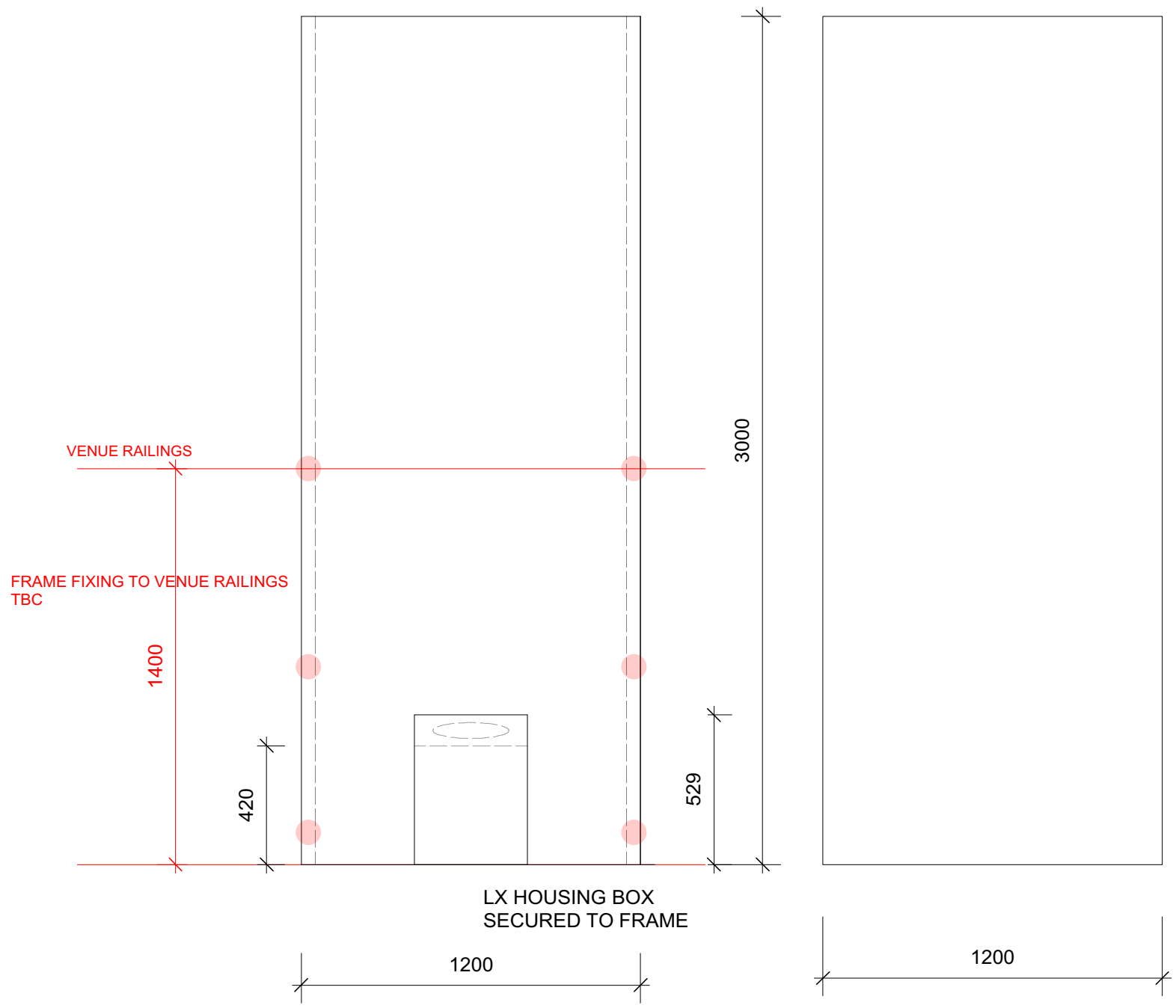
GENERAL NOTES:
 1) ALL DRAWINGS ARE STATED IN MILLIMETERS, OR UNLESS OTHERWISE INDICATED IN THE DRAWING.
 2) DRAWINGS SHALL NOT BE SCALED OR UNLESS OTHERWISE INDICATED. ONLY WRITTEN DIMENSIONS SHALL BE FOLLOWED.

KEY:

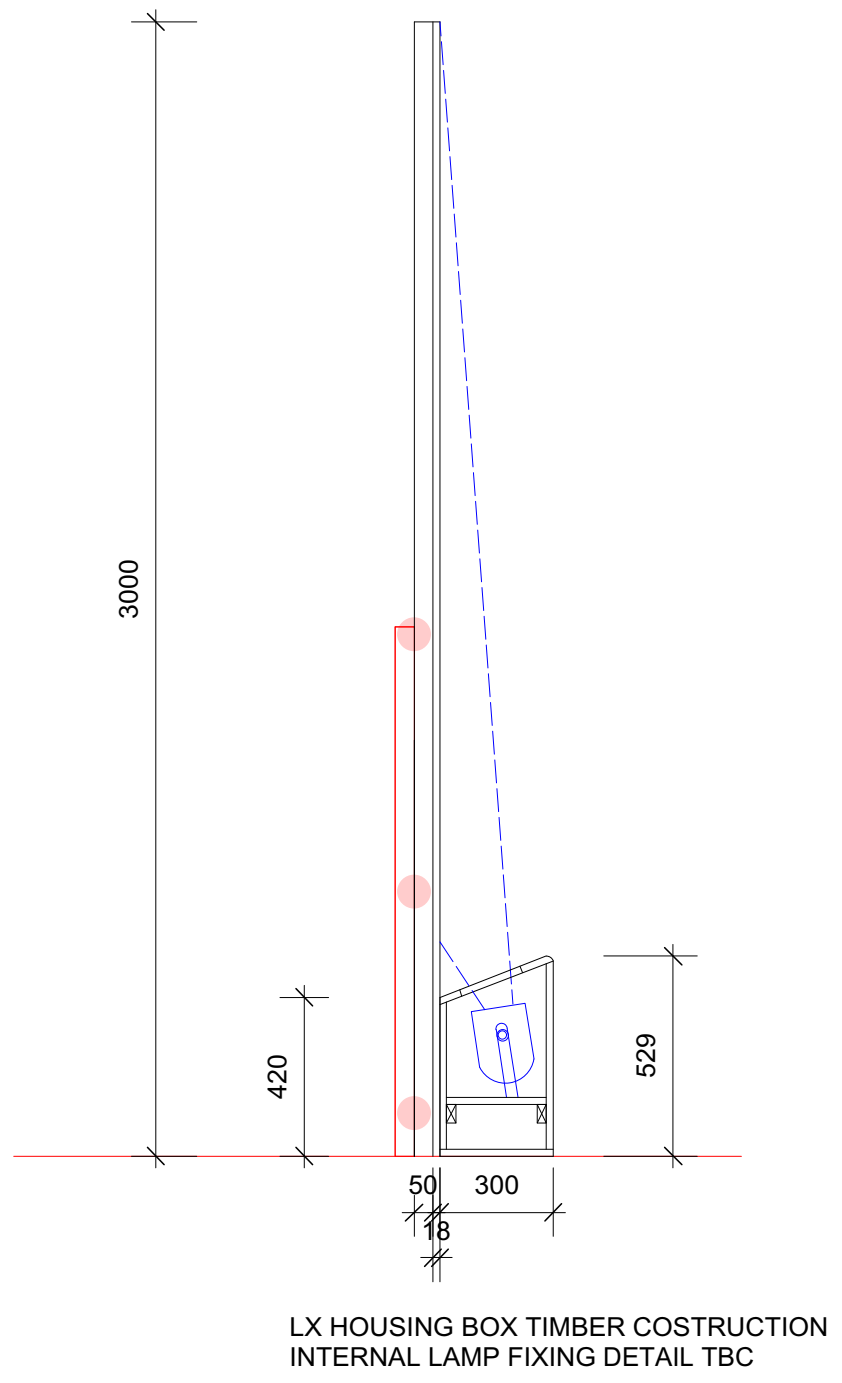
FRONT

18MM TIMBER SHEET WITH 50X75 VERTICAL TIMBERS TO REAR FOR FIXING

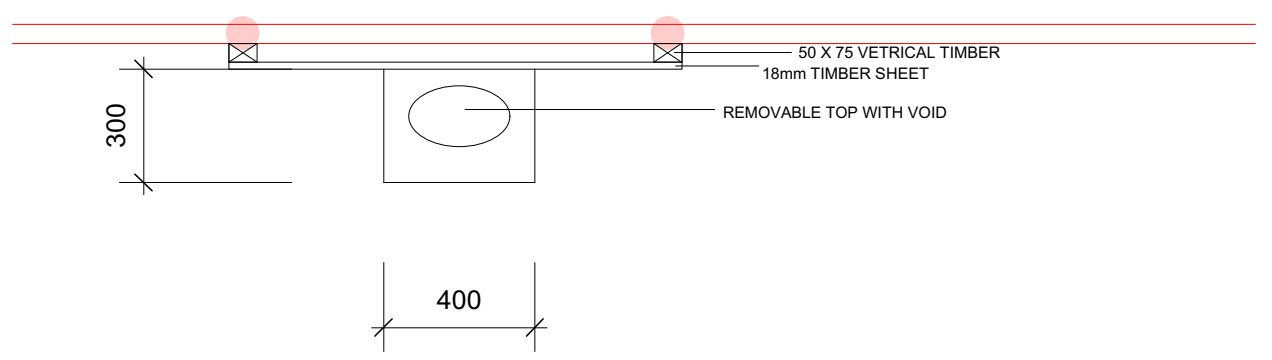
GRAPHIC BONDED TO SHEET TIMBER IN SITU



SIDE



PLAN



Location CENTRAL SCHOOL

Job Number

Event/Venue WCCL 2018

Title EXTERNAL FLOOR STANDING BANNERS

Drawn by: MS Checked by: Approved by:

Date: 18.10.18 Date: Date: 1

Drawing Number Revision

Status Size A3 Scale 1:20