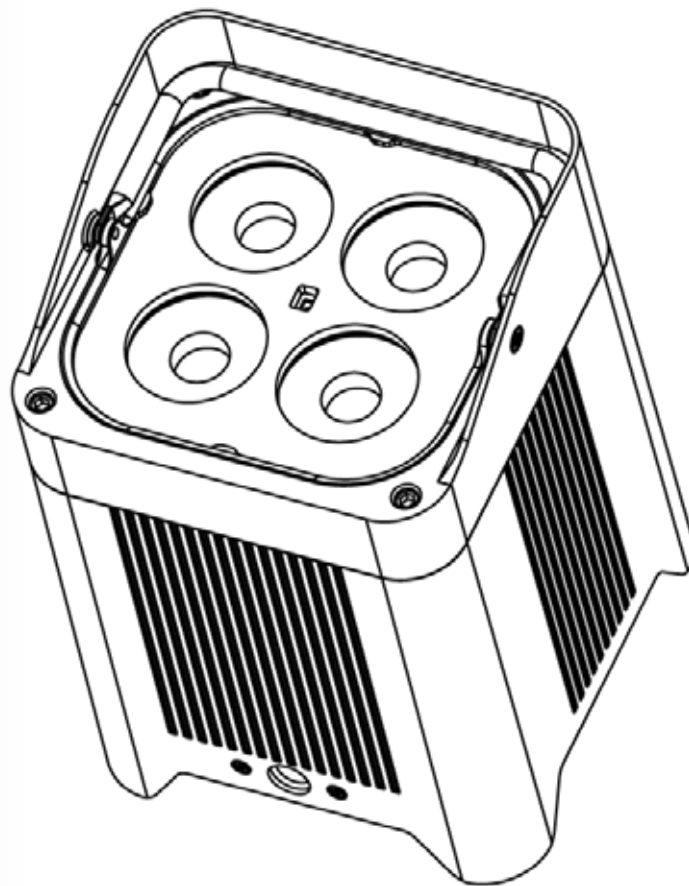


WELL FIT

WIRELESS EVENT LED LUMINAIRE

User Manual




CHAUVET
PROFESSIONAL

Edition Notes The WELL Fit User Manual Rev. 3 includes a description, safety precautions, and installation, programming, operation, and maintenance instructions for the WELL Fit as of the release date of this edition in 2017.

Trademarks CHAUVET, the Chauvet logo and WELL Fit are registered trademarks or trademarks of Chauvet & Sons, LLC. (d/b/a Chauvet and Chauvet Lighting) in the United States and other countries. Other company and product names and logos referred to herein may be trademarks of their respective companies.

Copyright Notice The works of authorship contained in this manual, including, but not limited to, all design, text and images are owned by Chauvet.

© **Copyright 2017 Chauvet & Sons, LLC. All rights reserved.**

Electronically published by Chauvet in the United States of America.

Manual Use Chauvet authorizes its customers to download and print this manual for professional information purposes only. Chauvet expressly prohibits the usage, copy, storage, distribution, modification, or printing of this manual or its content for any other purpose without written consent from Chauvet.

Document Printing For better results, print this document in color, on letter size paper (8.5 x 11 in), double-sided. If using A4 paper (210 x 297 mm), configure your printer to scale the content accordingly.

Intended Audience Any person in charge of installing, operating, and/or maintaining this product should completely read through the guide that shipped with the product, as well as this manual, before installing, operating, or maintaining this product.

Disclaimer Chauvet believes that the information contained in this manual is accurate in all respects. However, Chauvet assumes no responsibility and specifically disclaims any and all liability to any party for any loss, damage or disruption caused by any errors or omissions in this document, whether such errors or omissions result from negligence, accident or any other cause. Chauvet reserves the right to revise the content of this document without any obligation to notify any person or company of such revision, however, Chauvet has no obligation to make, and does not commit to make, any such revisions..

Document Revision The WELL Fit User Manual Rev. 3 is the revised edition of this manual. Go to www.chauvetprofessional.com for the latest version.

Table of Contents

1. Before You Begin	1
What Is Included	1
Claims	1
Manual Conventions	1
Symbols	1
Safety Notes	2
Personal Safety	2
Mounting And Rigging	2
Power And Wiring	2
Operation	2
Expected LED Lifespan	2
2. Introduction	3
Description	3
Features	3
Well Fit Overview	4
Product Dimensions	5
Charging Case Dimensions (Not sold with the Single Fixture)	6
3. Setup	7
AC Power	7
AC Plug	7
Battery Charge Notes	7
Replacing the Fuse	7
DMX Linking	7
DMX Personalities	7
Wireless Operation	8
Initial Setup	8
Configuration	8
Product Pairing	8
Storage Notes	8
W-DMX Setup	8
IR Infrared Remote Control	9
IR Remote Operation	9
Mounting	10
Orientation	10
Rigging	10
Procedure	10
4. Operation	11
Control Panel Description	11
Control Options	11
Programming	11
Control Panel Lock	11
Passcode	11
Menu Map	11
Menu Map (Cont.)	12
Configuration (Standalone)	13
Automatic Programs	13
Fixed Static Color	13
Manual Static Color	13
Dimmer Profiles	13
White Calibration	13
Backlight	14
Software Information	14
Fixture Hours	14

LED Test.....	14
Factory Reset.....	14
Configuration (DMX).....	14
DMX Personalities.....	14
DMX Control.....	14
Wireless Settings.....	14
IR Setting.....	14
DMX Values.....	15
DMX Values (Cont.).....	16
5. Technical Information.....	17
Product Maintenance.....	17
6. Technical Specifications.....	18
Returns.....	19
Contact Us.....	Error! Bookmark not defined.

1. Before You Begin

What Is Included

Pack

- 6–WELL Fit
- Neutrik powerCON power cord
- IR remote
- Charging case
- Warranty Card
- Quick Reference Guide

Single

- WELL Fit
- IEC power cable
- IR remote
- Charging base
- Warranty Card
- Quick Reference Guide

Claims

Carefully unpack the product immediately and check the charging case to make sure all the parts are in the package and are in good condition.




If the charging case or the contents (the product and included accessories) appear damaged from shipping or show signs of mishandling, notify the carrier immediately, not Chauvet. Failure to report damage to the carrier immediately may invalidate your claim. In addition, keep the box and contents for inspection.

For other issues, such as missing components or parts, damage not related to shipping, or concealed damage, file a claim with Chauvet within 7 days of delivery.

Manual Conventions

Convention	Meaning
1–512	A range of values in the text
50/60	A set of mutually exclusive values in the text
<SET>	A button on the product’s control panel
Settings	A product function or a menu option
MENU>Settings	A sequence of menu options
1–10	A range of menu values from which to choose in a menu
Yes/No	A set of two mutually exclusive menu options in a menu
ON	A unique value to be entered or selected in a menu

Symbols

Symbols	Meaning
	Critical installation, configuration, or operation information. Failure to comply with this information may cause the product not to work, damage third-party equipment, or cause harm to the operator.
	Important installation or configuration information. Failure to comply with this information may keep the product from working.
	Useful information.



The term “DMX” used throughout this manual refers to the USITT DMX512-A digital data transmission protocol.

Safety Notes

Read all the following Safety Notes before working with this product. These notes include important information about the installation, usage, and maintenance of this product.



This product contains no user-serviceable parts. Any reference to servicing in this User Manual will only apply to properly trained Chauvet certified technicians. Do not open the housing or attempt any repairs.



All applicable local codes and regulations apply to proper installation of this product.

Personal Safety

- Avoid direct eye exposure to the light source while the product is on.
- Always disconnect this product from its power source before servicing.
- Always connect this product to a grounded circuit to avoid the risk of electrocution.
- Do not operate the product in a sealed enclosure or in an area without air circulation.
- Do not touch this product's housing during operation because it may be very hot.
- Do not submerge this product (IP65). Temporary outdoor operation is fine.
- CAUTION: When transferring product from extreme temperature environments, (e.g. cold truck to warm humid ballroom) condensation may form on the internal electronics of the product. To avoid causing a failure, allow product to fully acclimate to the surrounding environment before connecting it to power.
- Not for permanent outdoor installation in locations with extreme environmental conditions. This includes, but is not limited to:
 - Where the normal high or low temperatures of the location exceed the temperature ranges in this manual.
 - Locations that are prone to flooding or being buried in snow.
 - Other areas where the product will be subject to extreme radiation or caustic substances.
- Only use the retractable foot to tilt the product.
- Be sure retractable foot is closed completely before inserting into the charging case.
- Mount this product in a location with adequate ventilation, at least 20 in (50 cm) from adjacent surfaces.
- Make sure there are no flammable materials close to this product while it is operating.
- When hanging this product, always secure to a fastening device using a safety cable.

Mounting And Rigging

Power And Wiring

Operation

- Always make sure you are connecting this product to the proper voltage in accordance with the specifications in this manual or on the product's specification label.
- To eliminate unnecessary wear and improve its lifespan, during periods of non-use completely disconnect the product from power via breaker or by unplugging it.
- DO NOT connect the charging case to a dimmer or rheostat.
- Never disconnect this product by pulling or tugging on the power cable.
- Do not operate this product if you see damage on the housing, lenses, or cables. Have the damaged parts replaced by an authorized technician at once.
- Do not cover the ventilation slots when operating to avoid internal overheating.
- The maximum ambient temperature is 113 °F (45 °C). Do not operate this product at a higher temperature.
- In case of a serious operating problem, stop using this product immediately!



Expected LED Lifespan

In the unlikely event that your Chauvet product requires service, contact Chauvet Technical Support.

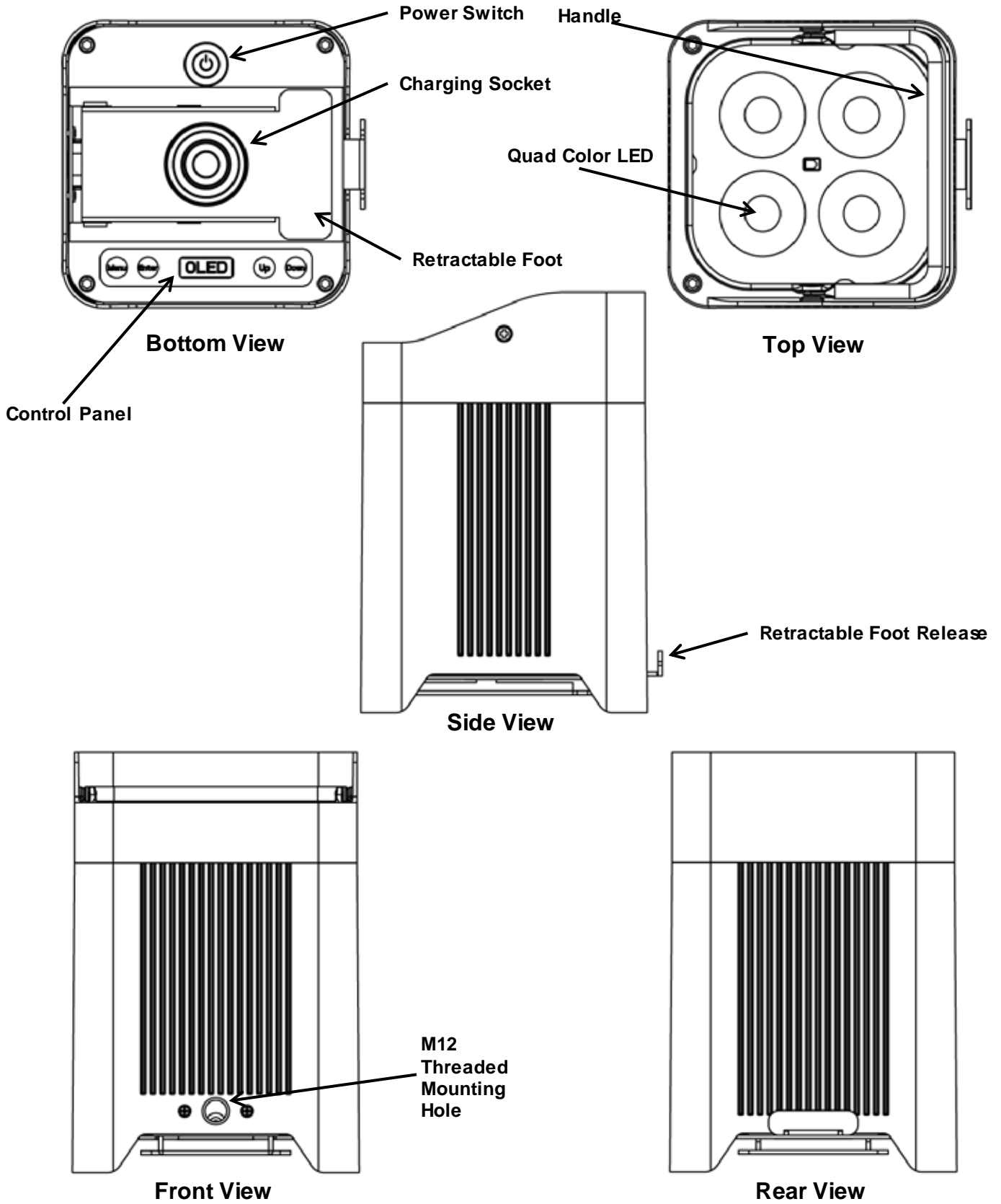
LEDs gradually decline in brightness over time, primarily due to heat. Packaged in clusters, LEDs exhibit higher operating temperatures than in ideal, single-LED conditions. For this reason, using clustered LEDs at their fullest intensity significantly reduces the LEDs' lifespan. Under normal conditions, this lifespan can be 40,000 to 50,000 hours. If extending this lifespan is vital, lower the operating temperature by improving the ventilation around the product and reducing the ambient temperature to an optimal operating range. In addition, limiting the overall projection intensity may also help to extend the LEDs' lifespan.

2. Introduction

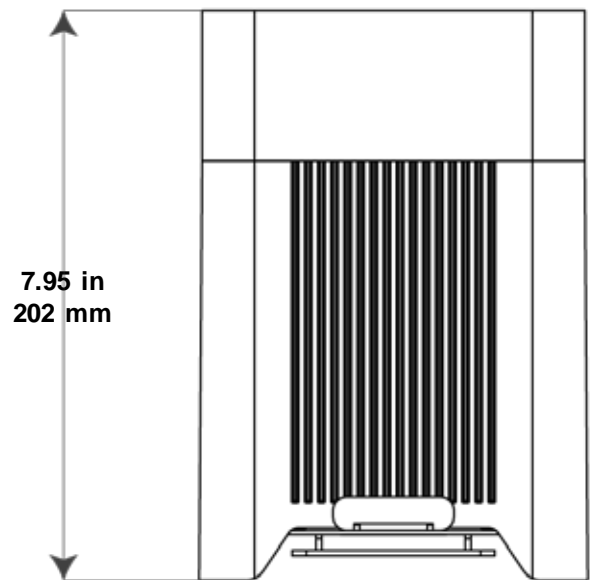
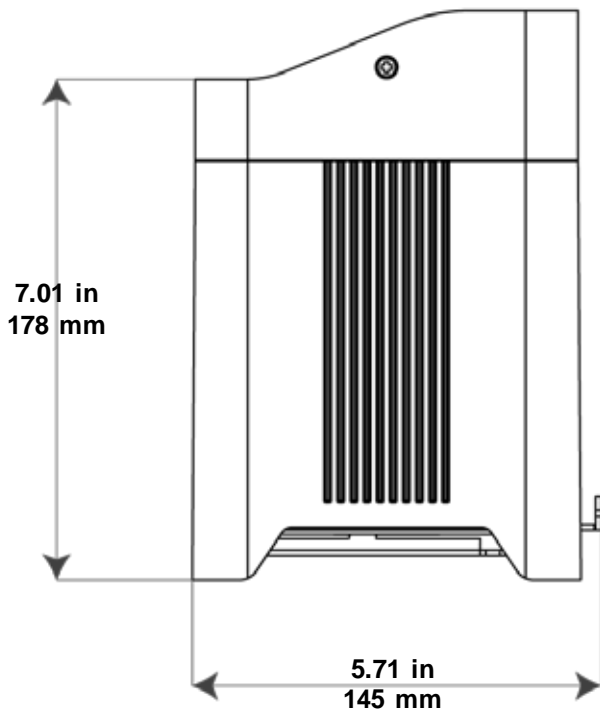
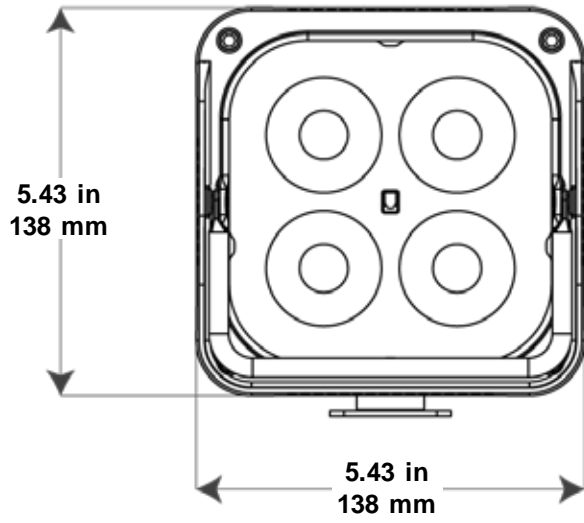
Description The WELL Fit is a quick setup, high-powered LED up-lighter. This small battery powered accent wash light comes in a reflective chrome housing designed to blend into any décor. WELL Fit can be controlled wirelessly either by W-DMX or by the included IR remote. Alternatively, it can be controlled manually from the OLED display on the product.

- Features**
- 3-, 4-, 6- or 10-channel quad-color LED wash product
 - Operating modes:
 - 3-channel: HSI control
 - 3-channel: HSV control
 - 4-channel: RGBW
 - 6-channel: RGBW, dimmer, strobe
 - 10-channel: RGBW, dimmer, strobe, color macro/white balance, auto programs, dimmer speed, auto speed
 - A completely wireless IP 65 rated battery powered up-light with four high powered quad colored RGBA LEDs that is controlled by W-DMX or IR remote.
 - Chrome exterior for blending into its surroundings.
 - Drop in case charging for easy storage and re-charging of the battery. (Not available with Single Fixture)
 - 8 hours of operation at full and a quick 5 hours charging time for frequent use.
 - Built in automated programs recallable by IR, WDMX or manually.
 - Built in kickstand for positioning light where you need it.
 - M12 threaded insert for easy clamp installation and a Kensington lock position for securing your investment.

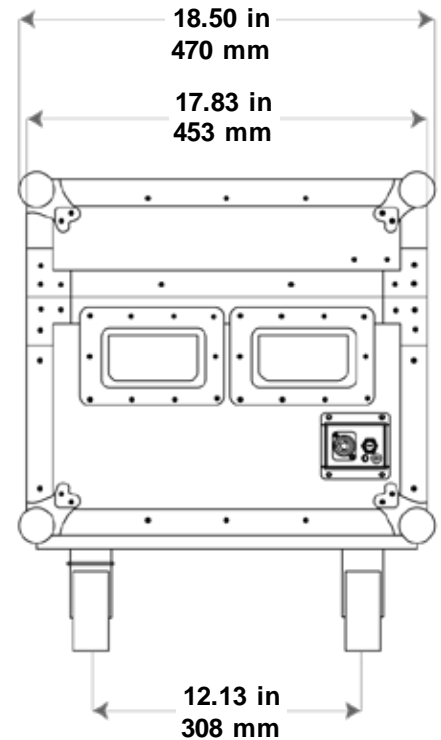
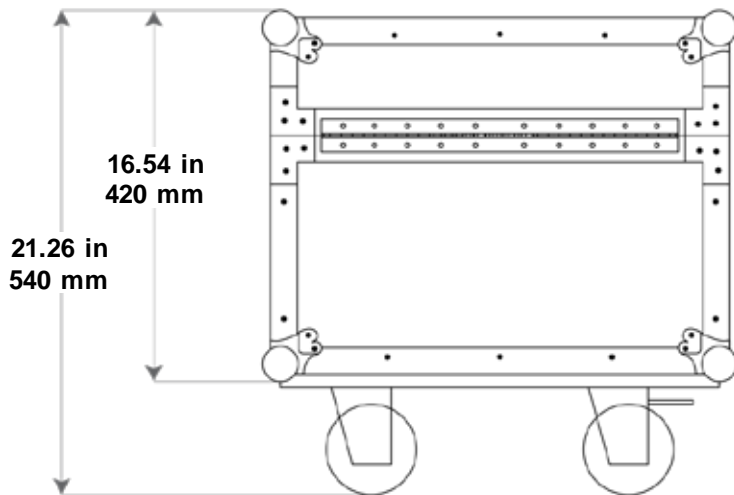
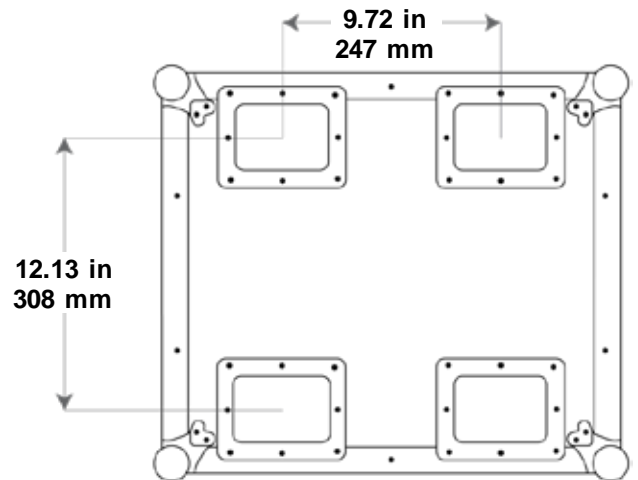
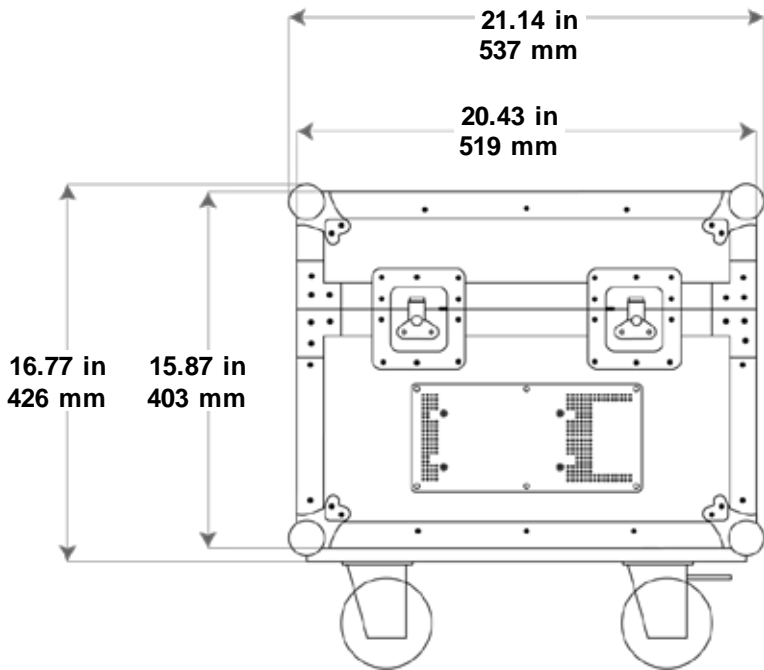
Well Fit Overview



Product Dimensions



Charging Case Dimensions (Not sold with the Single Fixture)



3. Setup

AC Power

Each WELL Fit has an auto-ranging battery charger inside the flight case that works with an input voltage range of 100 to 240 VAC, 50/60 Hz. To determine the power requirements for the WELL Fit, refer to the label affixed to the product. You can also refer to the [Technical Specifications](#) chart in this manual. The listed current rating indicates the maximum current draw during normal operation. For more information, you may download Sizing Circuit Breakers from the Chauvet website: www.chauvetprofessional.com.



- **Always connect this product to a protected circuit with an appropriate electrical ground to avoid the risk of electrocution or fire.**
- **To eliminate unnecessary wear and improve its lifespan, during periods of non-use completely disconnect the product from power via breaker or by unplugging it.**



Never connect this product to a rheostat (variable resistor) or dimmer circuit, even if the rheostat or dimmer channel serves only as a 0 to 100% switch.

AC Plug

The WELL Fit charging case comes with a power input cord terminated with a Neutrik powerCON A connector on one end and an Edison plug on the other end (U.S. market). If the power input cord that came with your product has no plug, or if you need to change the Edison plug, use the table below to wire the new plug.

Connection	Wire (U.S.)	Wire (Europe)	Screw Color
AC Live	Black	Brown	Yellow or Brass
AC Neutral	White	Blue	Silver
AC Ground	Green/Yellow	Green/Yellow	Green

Battery Charge Notes

- Recharge the battery within three days from last use.
- Recharge the battery to full capacity before storing this product.
- For best results, charge the battery in a temperature between 32 °F (0 °C) and 95 °F (35 °C).
- When charging the battery, keep the product at no less than 1 m from any open flame or hot plate.
- When charging the battery inside the road case charger, keep the road case's cover open.
- Always charge the battery with the product in an upright position.
- Do not charge the battery for more than 24 hours.
- Perform a full discharge/recharge cycle every three months.

Replacing the Fuse

The WELL Fit has no external fuse. However, the charging case and/or the charging base come with a replaceable fuse.

1. Disconnect this product from power.
2. Using a flat-head screwdriver, unscrew the fuse holder cap from the housing.
3. Remove blown fuse and replace with a good fuse of the same type and rating.
4. Screw the fuse holder cap back in place and reconnect power.

DMX Linking

The WELL Fit will work with a DMX controller using a wireless DMX connection. If using other DMX-compatible products with the WELL Fit, you can control each individually with a single DMX controller.

DMX Personalities

The WELL Fit uses a wireless DMX data connection for the 4 Ch, 6 Ch, 10Ch, HSI and HSV DMX personalities.

- Refer to the [Introduction](#) chapter for a brief description of each DMX personality.
- Refer to the [Operation](#) chapter to learn how to configure the WELL Fit to work in these personalities.
- The [DMX Values](#) section provides you with detailed information regarding the DMX personalities.



If you are not familiar with or need more information about DMX standards, Master/Slave connectivity, or the DMX cables needed to link this product to a DMX controller, download the DMX Primer from the Chauvet website: www.chauvetprofessional.com.

Wireless Operation

In optimal conditions, the WELL Fit can operate up to 300 m (900 ft) away from the W-DMX transmitter. The W-DMX receiver in the WELL Fit must be paired with the W-DMX transmitter for wireless operation.



Once a WDMX receiver has been linked to a specific WDMX transmitter, it will remain linked to that specific transmitter until it is linked to a different one.

Initial Setup

1. Turn the W-DMX transmitter on.
2. Connect the W-DMX transmitter to a DMX controller.
3. Place the WELL Fit within 300 m from the W-DMX transmitter.
4. Disconnect any DMX cable from the WELL Fit.
5. Turn the WELL Fit on.

Configuration

1. From the WELL Fit's control panel, go to **DMX Address**.
2. Select the start address, as with any other DMX compatible product.
3. Go to **Wireless Setting > Receive**.
4. Select **On**. (The Signal Strength Indicator will show a ? in front of the bars)
5. Press the reset button on the W-DMX transmitter. (The Signal Strength Indicator on the WELL Fit will show a 4 in front of the bars for 3 seconds while a connection is established.)

Product Pairing

If the WELL Fit has already been paired with the W-DMX transmitter, the Signal Strength Indicator in the middle of the LCD screen will show the strength of the signal. In this case, the WELL Fit is ready to work in Wireless mode.

Pairing the WELL Fit and a new W-DMX transmitter:

1. From the WELL Fit's control panel, go to **Wireless Setting**.
2. Select **Reset**. The Signal Strength Indicator on the WELL Fit will show a ? in front of the bars.
3. From the W-DMX transmitter, press **<RESET>** (the Signal Indicator on the transmitter will flash).
4. Once the transmitter has found the WELL Fit, the Signal indicator on the W-DMX transmitter will illuminate solid.
5. The Signal Strength Indicator in the middle of the LCD screen on the WELL Fit will show the strength of the signal.

Storage Notes

- Always store the product in an upright position ($\leq 10^\circ$ tilt).
- Recharge the battery to full capacity before storing the product.
- Store charged product(s) in a dry environment, away from direct sunlight.

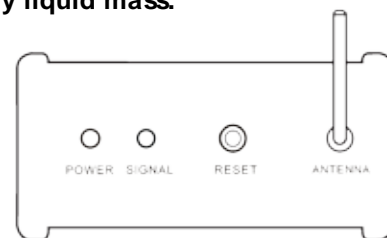


W-DMX operation can be interrupted or inhibited by liquid masses between the transmitter and receiver such as water, snow, or people. For best results, keep the area between the transmitter and receiver clear of any liquid mass.

W-DMX Setup



Control Panel



W-DMX Transmitter

IR Infrared Remote Control

Infrared (IR) mode allows the product to be controlled with an infrared remote controller. The IR remote can remotely set the product to various modes; adjust the color, speed and sensitivity; and set the strobe.

The WELL Fit is compatible with the included IR remote from Chauvet. To enable use with the IR remote, follow the instructions below:

1. Go to **IR Setting** in the main level.
2. Select **On** to activate the IR Receiver.

It may be necessary to turn the product off and on again when switching from W-DMX to IRC and vice-versa.



IR Remote Operation

Be sure the IR remote is pointing directly at the product and there is nothing in between the remote and the product.



Automatic Mode

Automatic mode will enable you to run the automatic programs on the product.

To turn on Automatic mode:

1. Press **<AUTO>** on the IR remote.
2. Press **<+>** or **<->** to choose between the four different auto programs.

To adjust the speed of the automatic program:

1. Press **<SPEED>** on the IR remote.
2. Press **<+>** or **<->** to either increase or decrease the speed of the program.

Manual Color Control

To choose a specific color with the IR remote:

3. Press **<MANUAL>** on the IR remote.
4. Press any number between **<0>** and **<9>** to choose your color.

To manually control the RGBA percentage:

1. Press **<MANUAL>** on the IR remote.
2. Press **<R>**, **<G>**, ****, or **<A>** (red, green, blue, or amber) to choose your color.
3. Press **<+>** or **<->** to increase or decrease the percentage of each color.

Miscellaneous Operation

To adjust the strobe rate of the program:

1. Press **<STROBE>** on the IR remote.
2. Press **<+>** or **<->** to increase or decrease the strobe rate.
3. Press **<STROBE>** again to turn off the strobe.

To choose a fade auto program:

- Press **<FADE>** repeatedly on the IR remote to choose between the two auto program fade options

To black out the lights:

- Press **<BLACK OUT>** on the IR remote. This will turn off all the lights until the button is pressed again.

To adjust the output level:

1. Press **<%>** on the IR remote.
2. Press **<+>** or **<->** to increase or decrease the output level.

Note: The IR remote will not respond to any inputs when the Black Out mode is activated. If the remote does not respond when a button is pressed, try pressing <BLACK OUT>. You may have inadvertently activated the Black Out mode.

Mounting Before mounting this product, read and follow the [Safety Notes](#). For our CHAUVET Professional line of mounting clamps, go to <http://trusst.com/products/>.

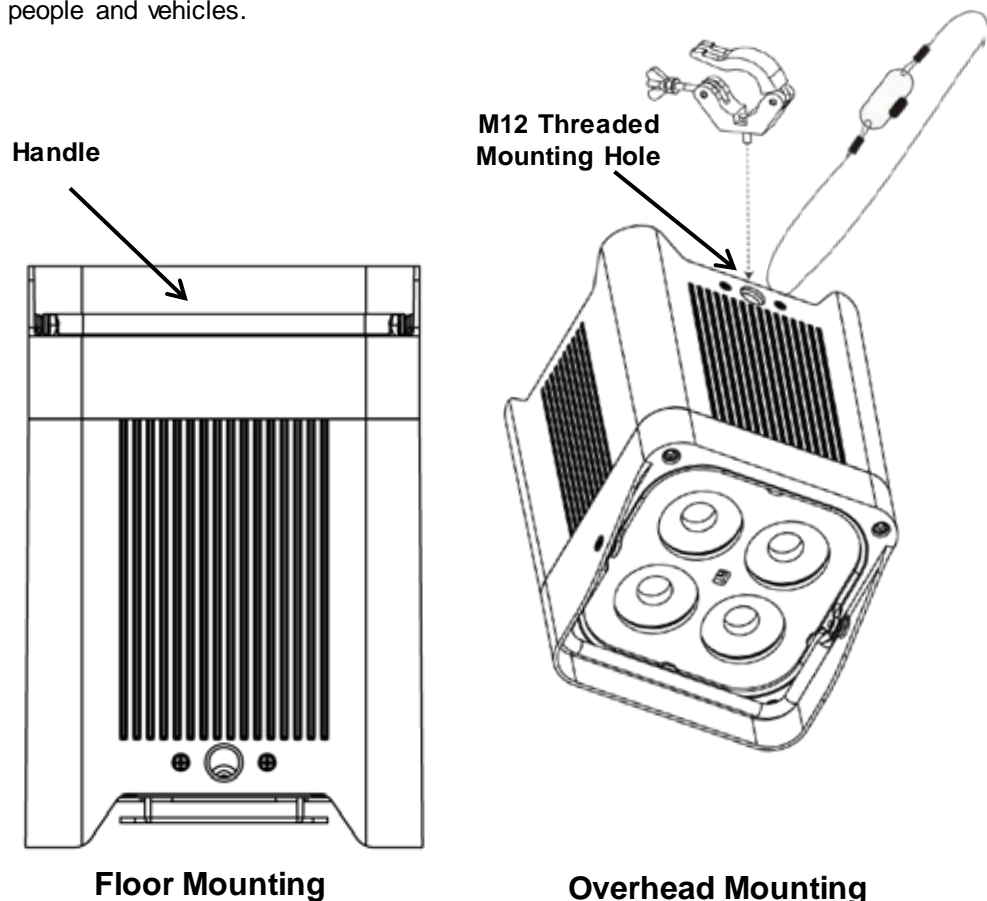
Orientation Always mount this product in a safe position and make sure there is adequate room for ventilation, configuration, and maintenance.

Rigging Chauvet recommends using the following general guidelines when mounting this product.

- When selecting an installation location, consider easy access to this product for operation, programming adjustments, and routine maintenance.
- The product is not intended for permanent installation.
- Make sure to mount this product away from any flammable material as indicated in the [Safety Notes](#).
- If hanging this product, make sure that the mounting location can support the product's weight. See the [Technical Specifications](#) for the weight-bearing requirements of this product.
- When hanging this product, always secure to a fastening device using a safety cable. For our CHAUVET Professional line of safety cables, go to <http://trusst.com/products/>.

Procedure The WELL Fit comes with an M12 threaded mounting hole to which you can attach mounting clamps for hanging. When mounting the product overhead, always use a mounting clamp and safety cable. Mount the product securely to a rigging point, such as a pipe or truss. When rigging the product, you should use a mounting clamp of appropriate weight capacity. You must supply your own mounting clamps. Use at least one mounting point per product. For our CHAUVET Professional line of mounting clamps, go to <http://trusst.com/products/>. When mounting the product on the floor, make sure that the product and any cables are away from people and vehicles.

Mounting Diagram



4. Operation

Control Panel Description	Button	Function
	<ON/OFF>	Turns product on/off
	<MENU>	Exits from the current menu or function
	<ENTER>	Enables the currently displayed menu or sets the currently selected value in to the current function
	<UP>	Navigates upward through the menu list or increases the numeric value when in a function
	<DOWN>	Navigates downward through the menu list or decreases the numeric value when in a function

Control Options Set the WELL Fit starting address in the **001–512** DMX range. This enables control of up to 51 products in the 10-channel **10Ch** personality.

Programming Refer to the [Menu Map](#) to understand the menu options. The menu map shows the main level and a variable number of programming levels for each option.

- To go to the desired main level, press **<MENU>** repeatedly until the option shows on the display. Press **<ENTER>** to select. This will take you to the first programming level for that option.
- To select an option or value within the current programming level, press **<UP>** or **<DOWN>** until the option shows on the display. Press **<ENTER>** to select. In this case, if there is another programming level, you will see that first option, or you will see the selected value.
- Press **<MENU>** repeatedly to exit to the previous main level.

Control Panel Lock This setting enables you to activate or disable the control panel lock, which keeps non-authorized personnel from changing the product's settings.

1. Go to the **Key Lock** main level.
2. Select **On** or **Off**.

Passcode After being prompted to enter the passcode:

- Press **<UP>**, **<DOWN>**, **<UP>**, **<DOWN>**, **<ENTER>**.

Menu Map

Main Level	Programming Levels			Description
Auto Show	Auto 1–5	Speed	0–100	Automatic programs and speed
Static	Fixed Color	R		Red
		G		Green
		B		Blue
		A		Amber
		GB		Green/Blue
		RB		Red/Blue
		RG		Red/Green
		RGB		Red/Green/Blue
		RA		Red/Amber
		GA		Green/Amber
		BA		Blue/Amber
		RGA		Red/Green/Amber
		RBA		Red/Blue/Amber
		GBA		Green/Blue/Amber
	RGBA		Red/Green/Blue/Amber	
Manual Color	R	Value	0–255	Combines red, green, blue, and amber to make a custom color (0–100%)
	G			
	B			
	A			

Menu Map(Cont.)

Main Level	Programming Levels				Description
Dimmer Mode	Off				No dimmer
	Dimmer 1-3				Dimming curves Dimmer 1 (fast) to Dimmer 3 (slow)
Back Light	10S				Turns off display backlight after 10 sec of inactivity
	20S				Turns off display backlight after 20 sec of inactivity
	30S				Turns off display backlight after 30 sec of inactivity
	On				Display backlight always on
Information	Test				Turns on all LEDs in sequence for testing
	Fixture Hours				Shows total product hours
	Version				Shows installed software version
DMX Address	001-512				Selects DMX address (highest channel restricted to personality chosen)
DMX Channel	4 Ch				4-channel: RGBA control
	6 Ch				6-channel: RGBA control, dimmer, and strobe
	10Ch				10-channel: RGBA control, dimmer, strobe, color macro/white balance, auto programs, auto speed, dimmer speed
	HSV				3-channel: HSV control
	HSI				3-channel: HSI control
Master/Slave Mode	Master				Reserved for future use
	Slave				
White Balance	Balance	R	Value	125-255	Sets red LED maximum value
		G			Sets green LED maximum value
		B			Sets blue LED maximum value
Wireless Setting	Receive	Off			Turns wireless DMX function off
		On	Reset	On Off	Resets the wireless setting
IR Setting	On				Activates/deactivates IR receiver
	Off				
Key Lock	On				Turns the passcode on or off
	Off				
Factory Reset	On				Resets to factory defaults
	Off				

Configuration (Standalone) Use standalone configuration to operate the product without a DMX controller.

Automatic Programs Automatic programs allow for dynamic RGBA color mixing without a DMX controller.

1. Go to the **Auto Show** main level.
2. Select the desired automatic (**Auto 1–5**) program.
3. Go to the **Speed** programming level.
4. Select the desired speed **0–100**.



You cannot edit any of the automatic programs (Auto 1–5).

Fixed Static Color The fixed static color mode allows for preset RGBW color mixing without a DMX controller.

1. Go to the **Static** main level.
2. Select the **Fixed Color** programming level.
3. Select the desired color combination. See [Menu Map](#).

Manual Static Color The manual static color mode allows for manually customizable RGBA color mixing without a DMX controller.

1. Go to the **Static** main level.
2. Select the **Manual Color** programming level.
3. Select the desired color **R, G, B** or **A**.
4. Go to the **Value** programming option.
5. Select the desired color value **0–255** (0–100%).
6. Repeat for the other colors.

Dimmer Profiles This setting determines how fast the output of the WELL Fit changes when you modify the values of the red, green, blue, white, and dimmer faders. This setting provides three different options to simulate the dimming curve of an incandescent lighting product.

1. Go to the **Dimmer Mode** main level.
2. Select a dimmer profile (**Off, Dimmer 1, Dimmer 2, or Dimmer 3**).

OFF: The output is proportional (linear) to the dimmer and RGBW channel values.



Dimmer 1–3: The output follows the dimmer and RGBW channel values based on the corresponding dimmer curve, **Dimmer 1** being the fastest and **Dimmer 3** the slowest.

White Calibration This setting allows you to select the white color shown by the WELL Fit when the DMX controller's red, green, and blue faders are set to **255**.

1. Go to the **White Balance** main level.
2. Go to **Balance**.
3. Select a color (**R, G, or B**).
4. Go to **Value**.
5. Select a color value (**125–255**).
6. Repeat for the other colors.



When selecting White Balance, you will only be able to define the values of red (R), green (G), and blue (B).



The values of red (R), green (G), and blue (B) configured from White Balance will define the color temperature shown when the RGB faders are set to 255.

Backlight This setting allows you to set the amount of time the backlight on the WELL Fit’s display stays on after the last button is pressed on the control panel.

1. Go to the **BackLite** main level.
2. Select **On** (remains on), **10S** (10 seconds), **20S** (20 seconds), or **30S** (seconds).

Software Information This option shows what version of software the WELL Fit is running.

1. Go to the **Information** main level.
2. Select **Version** and the version number will show on the display.

Fixture Hours This option shows the total amount of hours the WELL Fit has been turned on.

1. Go to the **Information** main level.
2. Select **Fixture Hours** and the total number of hours will show on the display.

LED Test This option runs a check of the LEDs on the WELL Fit by turning on all the LEDs in sequence.

1. Go to the **Information** main level.
2. Select **Test** programming level.

Factory Reset This option runs a check of the LEDs on the WELL Fit by turning on all the LEDs in sequence.

1. Go to the **Factory Reset** main level.
2. Select **On** to reset the product to factory settings.

Configuration (DMX) Use DMX configurations to operate the product with a DMX controller.

DMX Personalities This setting allows you to choose a particular DMX personality.

1. Go to the **DMX Channel** main level.
2. Select the desired personality (**4 Ch**, **6 Ch**, **10Ch**, **HSI**, or **HSV**).



- See the [DMX Values](#) section for the highest starting address you can select for each personality.
- Make sure that the starting addresses on the various products do not overlap due to the new personality setting.

DMX Control In this mode, each product will respond to a unique starting address from the DMX controller. All products with the same starting address will respond in unison.

1. Select a DMX personality as shown in [DMX Personalities](#).
2. Set the starting address:
 - a. Go to **DMX Address** main level.
 - b. Select the starting address (**001–512**).

The highest recommended starting address for each DMX mode is as follows:



DMX Personality	DMX Address
4 Ch	509
6 Ch	507
10Ch	503
HSI	510
HSV	510

Wireless Settings This mode allows you to control DMX wirelessly. For detailed setup of this feature, see [Wireless Operation](#). To disable this feature:

1. Go to **Wireless Setting > Receive**.
2. Select **Off**.



IR Setting Once a WDMX receiver has been linked to a specific WDMX transmitter, it will remain linked to that specific transmitter until it is linked to a different one.

This mode allows you to control the WELL Fit with an IR remote. For detailed setup of this feature, see [IR Infrared Remote Control](#). To disable this feature:

1. Go to **IR Setting**.
2. Select **Off**.

DMX Values
 10Ch

Channel	Function	Value	Percent/Setting
1	Dimmer	000 ó 255	0–100%
2	Red	000 ó 255	0–100%
3	Green	000 ó 255	0–100%
4	Blue	000 ó 255	0–100%
5	Amber	000 ó 255	0–100%
6	Strobe	000 ó 010	No function
		011 ó 255	Slow to fast
7	Color Macro + White Balance	000 ó 010	No function
		011 ó 030	R: 100% G: 0–100% B: 0
		031 ó 050	R: 100%–0 G: 100% B: 0
		051 ó 070	R: 0 G: 100% B: 0–100%
		071 ó 090	R: 0 G: 100%–0 B: 100%
		091 ó 110	R: 0–100% G: 0 B: 100%
		111 ó 130	R: 100% G: 0 B: 100%–0
		131 ó 150	R: 100% G: 0–100% B: 0–100%
		151 ó 170	R: 100%–0 G: 100%–0 B: 100%
		171 ó 200	R: 100% G: 100% B: 100% A: 100%
		201 ó 205	White 1
		206 ó 210	White 2
		211 ó 215	White 3
		216 ó 220	White 4
		221 ó 225	White 5
		226 ó 230	White 6
		231 ó 235	White 7
236 ó 240	White 8		
241 ó 245	White 9		
246 ó 250	White 10		
251 ó 255	White 11		
8	Auto Programs	000 ó 051	No function
		052 ó 101	Auto 1
		102 ó 152	Auto 2
		153 ó 203	Auto 3
		204 ó 254	Auto 4
		255	Auto 5
9	Auto Speed	000 ó 255	Slow to fast
10	Dimmer Speed	000 ó 051	Preset dimmer speed from display menu
		052 ó 101	Linear dimmer
		102 ó 152	Nonlinear dimming curve 1 (fastest)
		153 ó 203	Nonlinear dimming curve 2
		204 ó 255	Nonlinear dimming curve 3 (slowest)

DMX Values (Cont.)

6 Ch	Channel	Function	Value	Percent/Setting
	1	Dimmer	000 ó 255	0–100%
	2	Red	000 ó 255	0–100%
	3	Green	000 ó 255	0–100%
	4	Blue	000 ó 255	0–100%
	5	Amber	000 ó 255	0–100%
	6	Strobe	000 ó 010 011 ó 255	No function Slow to fast

4 Ch	Channel	Function	Value	Percent/Setting
	1	Red	000 ó 255	0–100%
	2	Green	000 ó 255	0–100%
	3	Blue	000 ó 255	0–100%
	4	Amber	000 ó 255	0–100%

HSV	Channel	Function	Value	Percent/Setting
	1	Hue	000 ó 255	0–100%
	2	Saturation	000 ó 255	0–100%
	3	Value	000 ó 255	0–100%

HSI	Channel	Function	Value	Percent/Setting
	1	Hue	000 ó 255	0–100%
	2	Saturation	000 ó 255	0–100%
	3	Intensity	000 ó 255	0–100%

5. Technical Information

Product Maintenance

To maintain optimum performance and minimize wear, clean this product frequently. Usage and environment are contributing factors in determining the cleaning frequency.

As a rule, clean this product at least twice a month. Dust build-up reduces light output performance and can cause overheating. This can lead to reduced light source life and increased mechanical wear.

To clean your product:

1. Unplug the product from power.
2. Wait until the product is at room temperature.
3. Use a vacuum (or dry compressed air) and a soft brush to remove dust collected on the external vents.
4. Clean all external surfaces with a mild solution of non-ammonia glass cleaner or isopropyl alcohol.
5. Apply the solution directly to a soft, lint-free cotton cloth or a lens cleaning tissue.
6. Wipe any dirt or grime to the outside edges of the lens surface.
7. Gently polish the lens surfaces until they are free of haze and lint.



Always dry the external surfaces thoroughly and carefully after cleaning them.

6. Technical Specifications

Dimensions and Weight	Length	Width	Height	Weight
	5.4 in (138 mm)	5.7 in (145 mm)	7.95 in (202 mm)	7.4 lb (6.5 kg)
Note: Dimensions in inches rounded to the nearest decimal digit.				
Power	Power Supply Type	Range		Voltage Selection
	Switching (internal)	100–240 VAC, 50/60 Hz		Auto-ranging
	Parameter	120 VAC, 60 Hz		230 VAC, 50 Hz
	Consumption (Single Product)	48 W		48 W
	Consumption (Charging Case)	288 W		288 W
	Operating (Single Product)	0.44 A		0.23 A
	Operating (Charging Case)	2.44 A		1.38 A
	Fuse (Charging Case)	3.15 A, 250 V		3.15 A, 250 V
	Fuse (Charging base)	1 A, 250 V		1 A, 250 V
		Power I/O	U.S./Canada	Worldwide
	Power input connector (Charging Case)	Neutrik powerCON A	Neutrik powerCON A	
	Power input connector (Charging Base)	IEC power cable	IEC power cable	
	Power cord plug	Edison (U.S.)	Local plug	
Light Source	Type	Power		Lifespan
	LED	10W		50,000 hours
	Color	Quantity		Current
	Quad-color RGBA	4		720 mA
Photometrics	Parameter	Standard Optics		
	Illuminance @ 5 m	800 lux		
	Beam angle	11°		
	Field angle	18°		
Thermal	Max. External Temperature	Cooling System		
	113 °F (45 °C)	Convection		
DMX	I/O Connectors	Connector Type	Channel Range	
	Wireless DMX	Wireless	3, 4, 6, or 10	
Ordering	Product Name	Item Code	UPC Number	
	WELL Fit	03031152	781462215002	
	WELL Fit (Single)	03031255	781462216030	



Returns Send the product prepaid, in the original box, and with the original packing and accessories. Chauvet will not issue call tags.

Call Chauvet and request a Return Merchandise Authorization (RMA) number before shipping the product. Be prepared to provide the model number, serial number, and a brief description of the cause(s) for the return.

Clearly label the package with an RMA number. Chauvet will refuse any product returned without an RMA number.



DO NOT write the RMA number directly on the box. Instead, write it on a properly affixed label.

Once you have received the RMA number, include the following information on a piece of paper inside the box:

- Your name
- Your address
- Your phone number
- The RMA number
- A brief description of the problem(s)

Be sure to pack the product properly. Any shipping damage resulting from inadequate packaging will be the customer's responsibility. FedEx packing or double-boxing is recommended.



Chauvet reserves the right to use its own discretion to repair or replace returned product(s).

Contact Us

USA WORLD HEADQUARTERS

General Information – Chauvet
Address: 5200 NW 108th Avenue
Sunrise, FL 33351
Voice: (954) 577-4455
Fax: (954) 929-5560
Toll free: (800) 762-1084

Technical Support

Voice: (844) 393-7575
Fax: (954) 756-8015
Email: chauvetcs@chauvetlighting.com

World Wide Web www.chauvetlighting.com

EUROPE

General Information - Chauvet Europe BVBA
Address: Stokstraat 18
9770 Kruishoutem
Belgium
Voice: +32 9 388 93 97

Technical Support

Email: Eutech@chauvetlighting.eu

World Wide Web www.chauvetlighting.eu

General Information - Chauvet Europe Ltd.
Address: Unit 1C
Brookhill Road Industrial Estate
Pinxton, Nottingham, UK
NG16 6NT
Voice: +44 (0)1773 511115
Fax: +44 (0)1773 511110

Technical Support

Email: uktech@chauvetlighting.com

World Wide Web www.chauvetlighting.co.uk

MEXICO

General Information - Chauvet Mexico
Address: Av. de las Partidas 34, 3-B
(Entrance by Calle 2)
Zona Industrial Lerma
Lerma, Edo. de México, CP 52000
Voice: +52 (728) 690-2010

Technical Support

Email: servicio@chauvet.com.mx

World Wide Web www.chauvet.com.mx

Outside the U.S., United Kingdom, Ireland, Mexico, or Benelux contact the dealer of record. Follow their instructions to request support or to return a product. Visit our website for contact details.