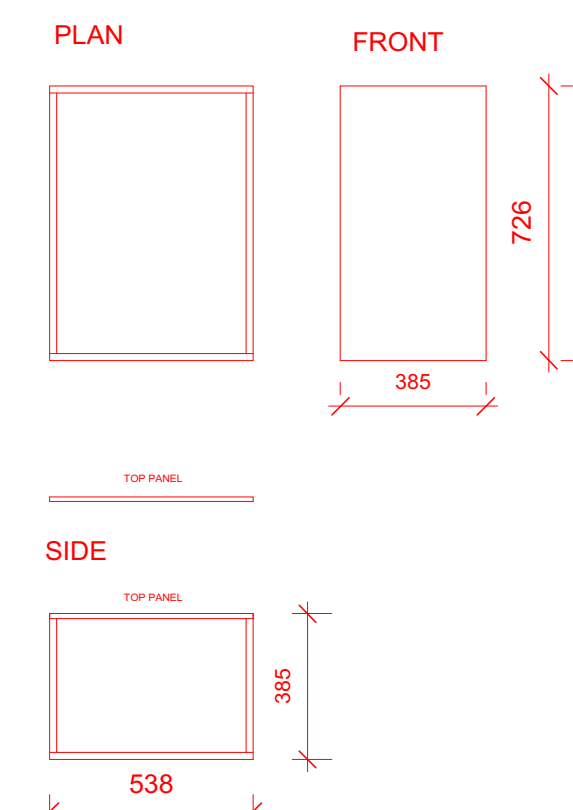
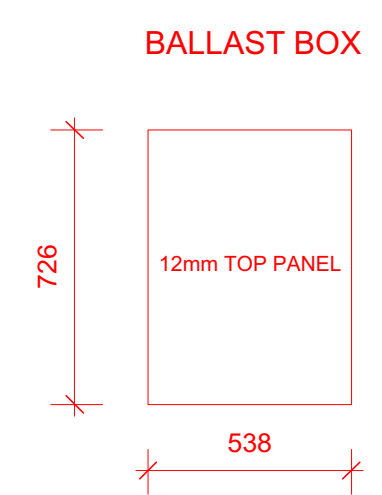
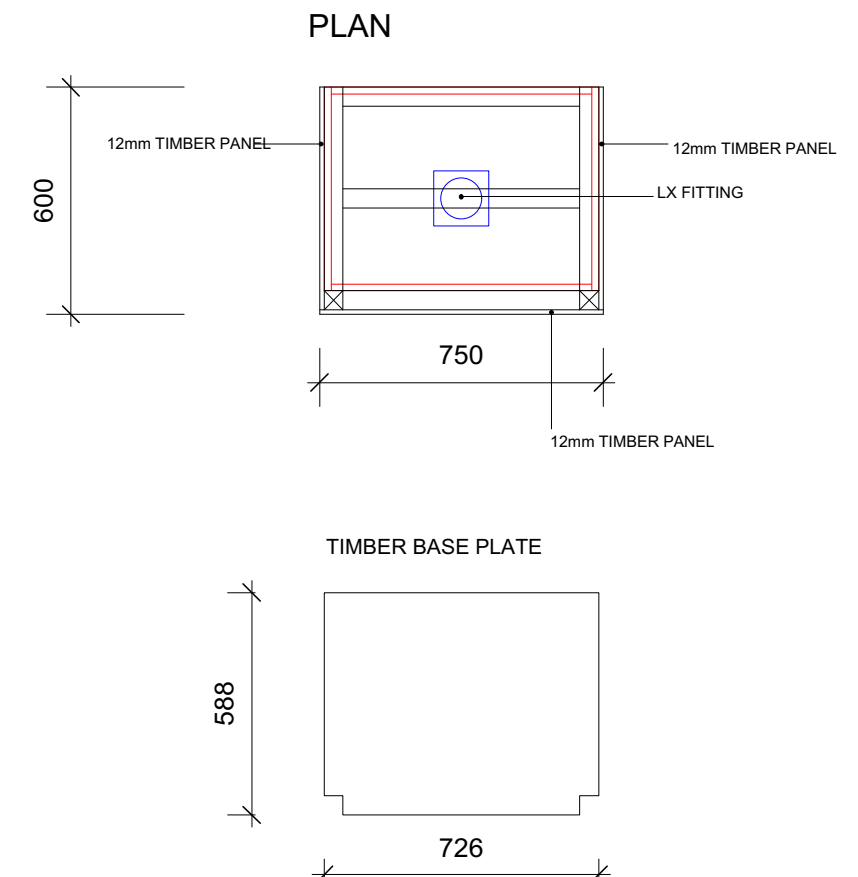
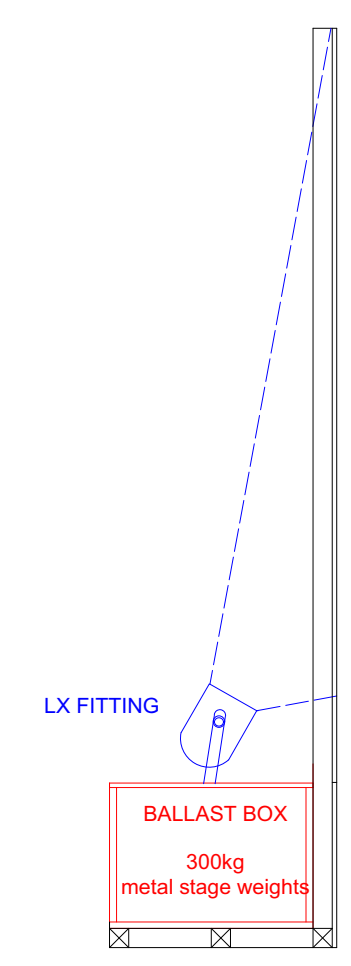
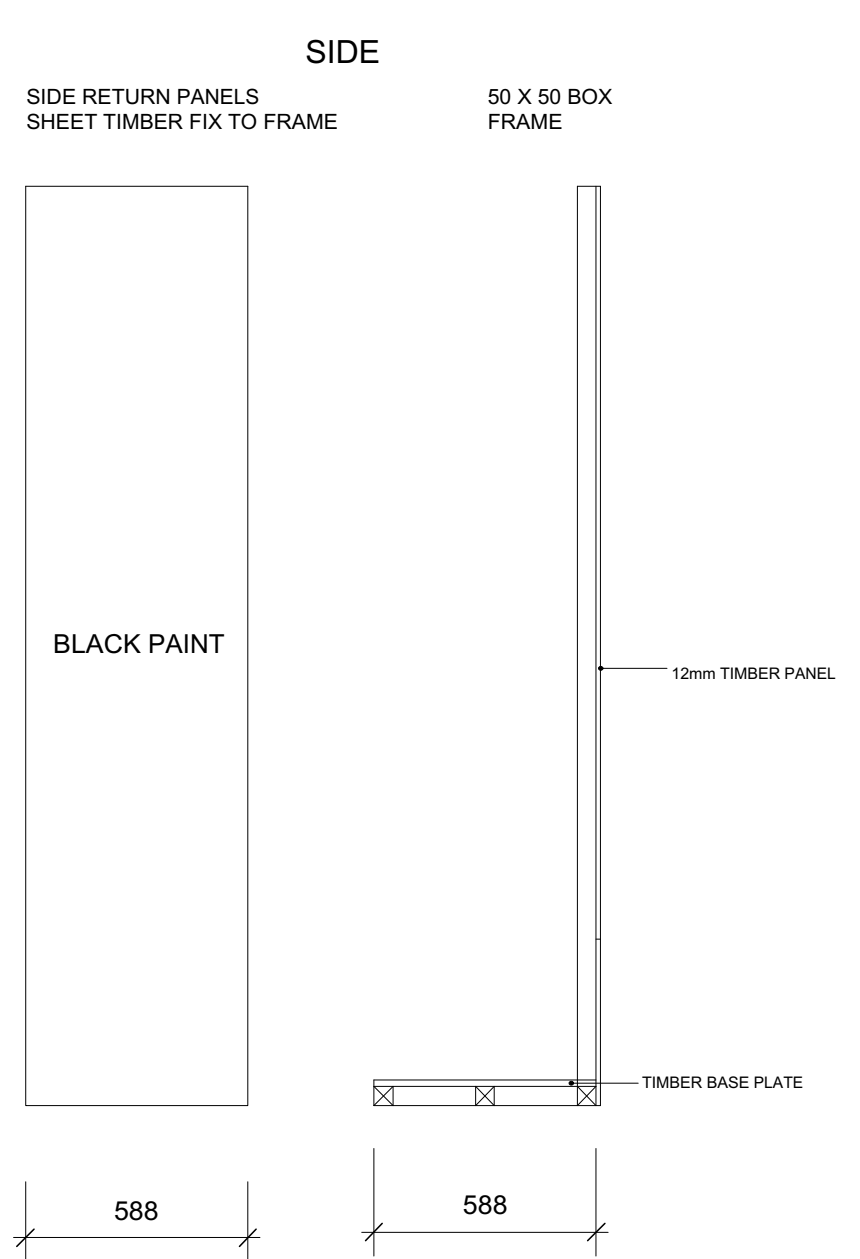
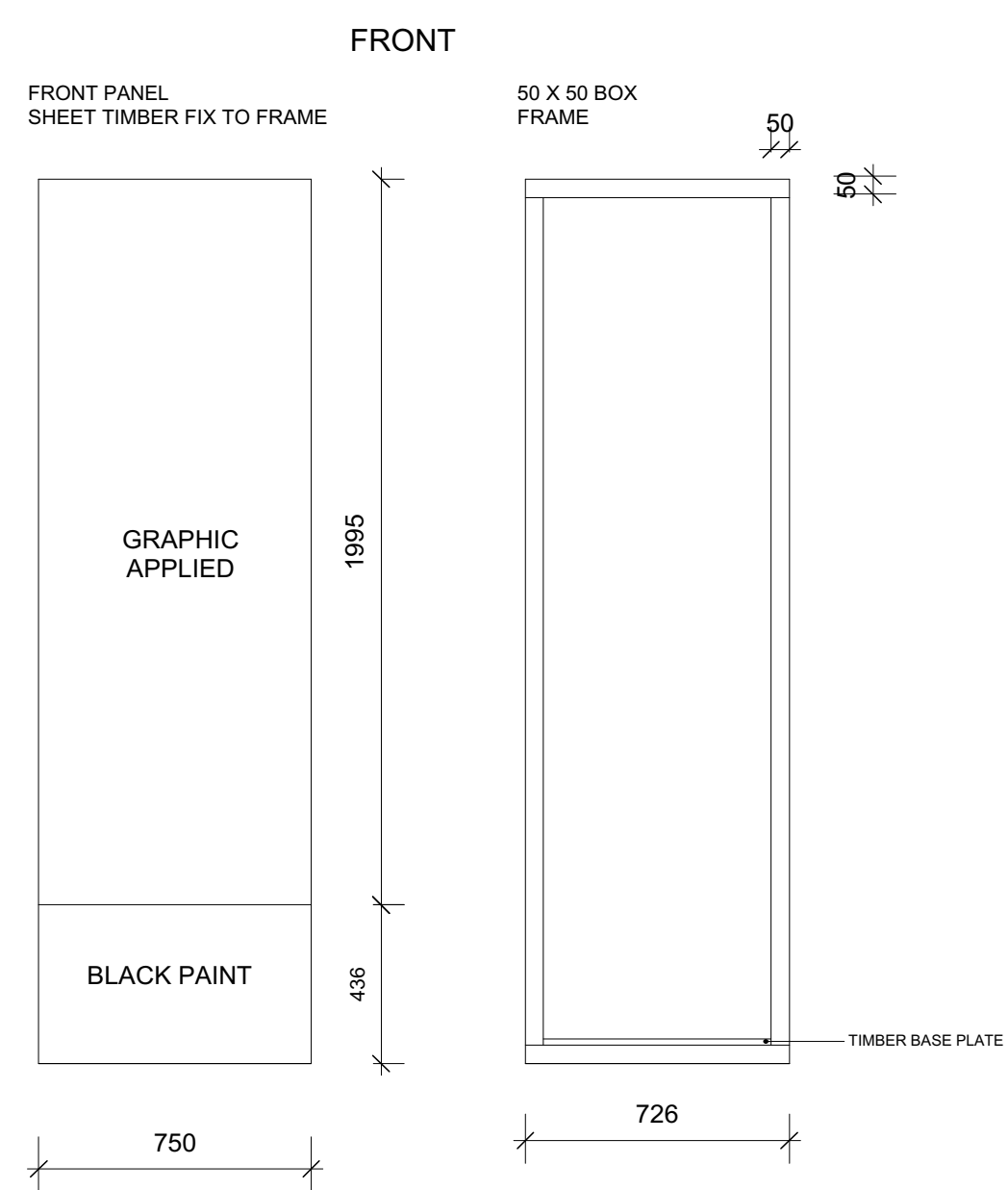


THIS DRAWING IS THE PROPERTY AND COPYRIGHT OF "PEOPLE" AND SHALL NOT BE COPIED OR COMMUNICATED TO A THIRD PARTY WITHOUT CONSENT.

GENERAL NOTES:
 1) ALL DRAWINGS ARE STATED IN MILLIMETERS, OR UNLESS OTHERWISE INDICATED IN THE DRAWING.
 2) DRAWINGS SHALL NOT BE SCALED OR UNLESS OTHERWISE INDICATED. ONLY WRITTEN DIMENSIONS SHALL BE FOLLOWED.

KEY:



18mm SHEET TIMBER CONSTRUCTION
 SECURED TO BASE OF BOX SECTION FRAME
 TOP PANEL SCREW FIXING TO BOX
 BLACK PAINT FINISH

Location	CENTRAL SCHOOL		
Job Number			
Event/Venue	WCCL 2018		
Title	EXTERIOR ENTRANCE TOTEMS		
Drawn by:	MS	Checked by:	Approved by:
Date:	24.10.18	Date:	Date:
Drawing Number			Revision
		1	
Status	Size	Scale	
	A3	1:20	