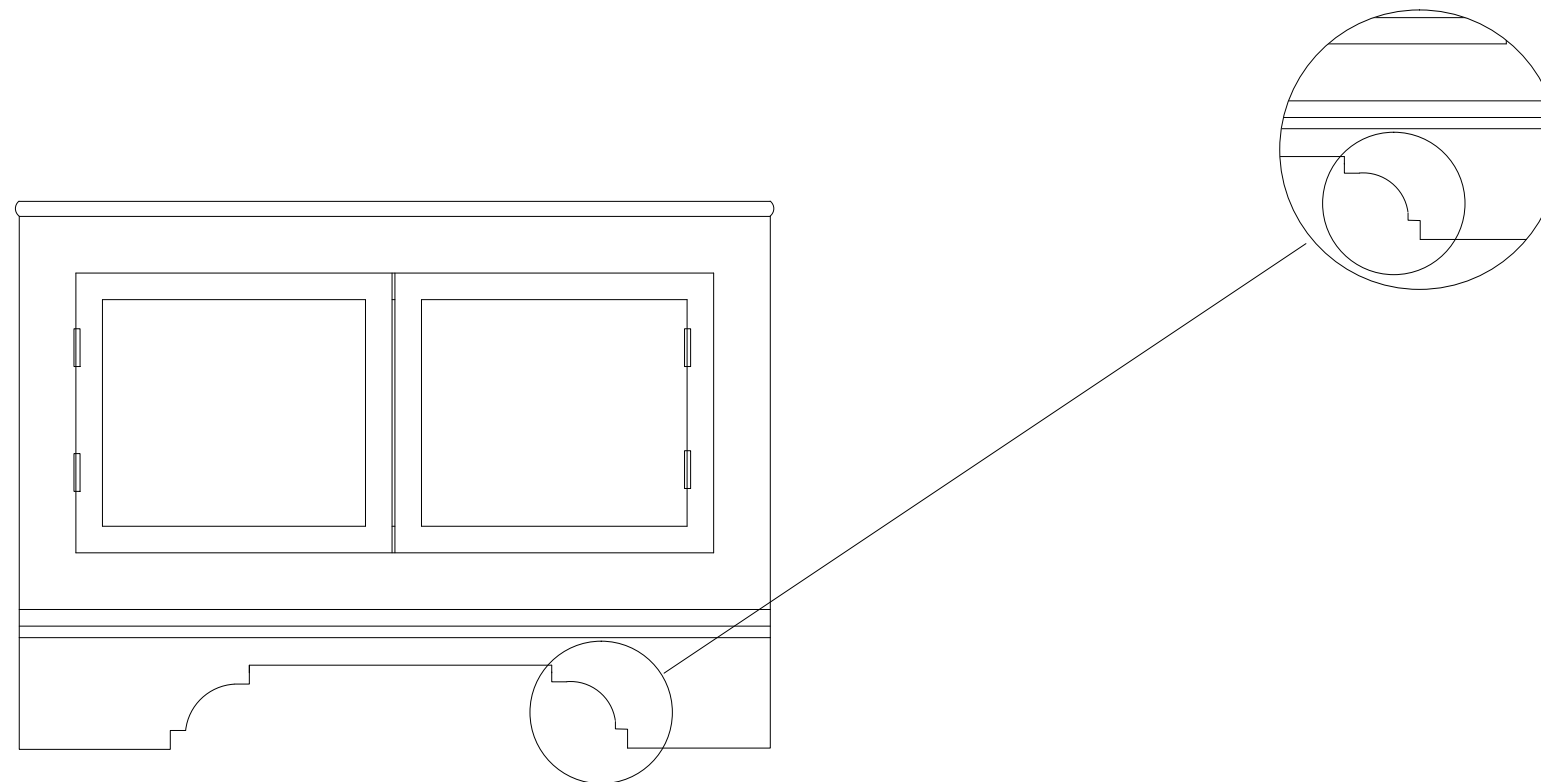
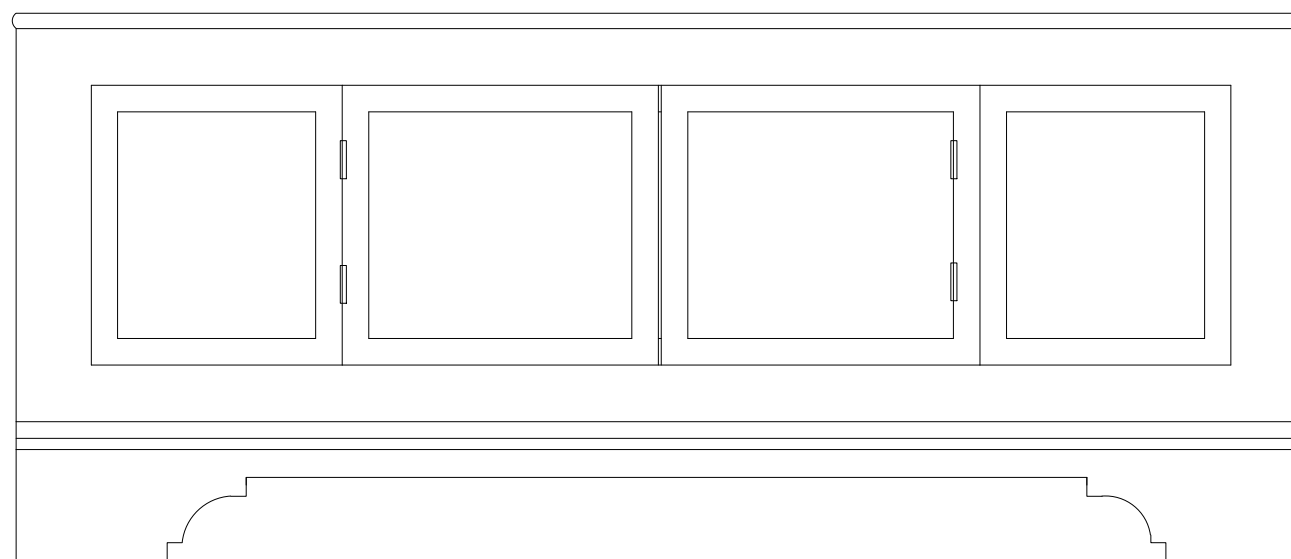


Notes

- Free stand - softwood carcass.
- Ends to be consistent each floor shape, pattern and dimension. Approx 1100mm height by 1000mm width.
- Note - with variance to be taken up in height of plinth.



For identification purposes, exact dimensions will alter on a floor by floor basis. Top of plinth to marry with existing skirting boards.



For identification purposes, exact dimensions will alter on a floor by floor basis. Top of plinth to marry with existing skirting boards.

REVISION	DATE	DESCRIPTION

MATTHEWS & SON
Chartered Surveyors

26 Bedford Square, London, WC1B 3

PROJECT
**87 GOWER STREET,
LONDON, WC1E 6A**

DETAIL
**Free standing carcass
air cooling unit**

DATE: 29/10/2018
DRAWN BY: []
CHECKED BY: []

SCALE: 1:10 @ A3

DRAWING NUMBER

13002/3/155