

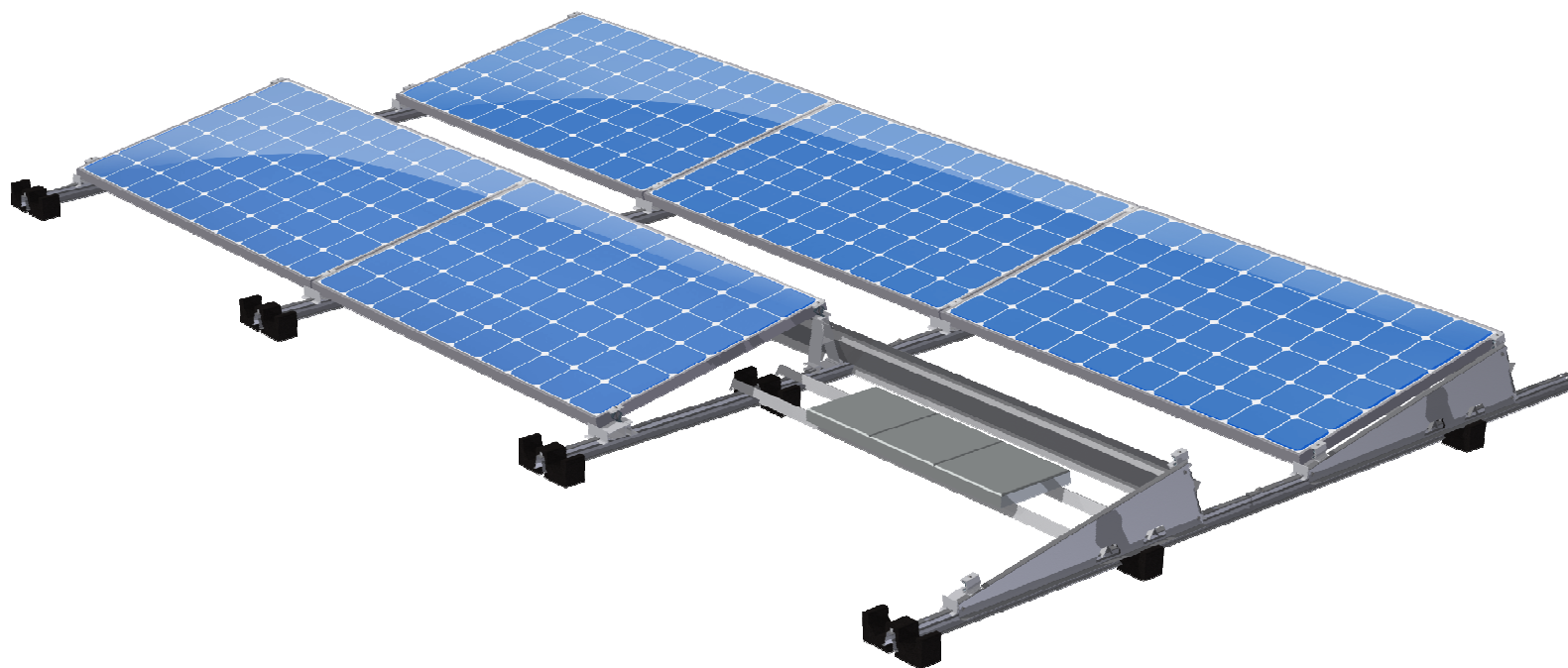
Van der Valk Solar Systems

TRACKING AND FIXED SOLAR MOUNTING SYSTEMS

Installation manual

ValkPro+

Use in combination with the installation manual of the 1-2-3 PV Planner



Congratulations on buying a Van der Valk Solar Systems mounting system and on helping the environment by deciding to install solar panels.

This document must be seen in addition to the installation manual and installation instructions.

- * The general user instructions describe general installation and safety instructions.
- * The installation manual shows you how to install the solar mounting system.
- * The installation instruction gives you specific measures of the engineered mounting system as a result of the 1-2-3 PV Planner.

The instructions provided in these user instructions must be observed at all times. Read these instructions carefully and keep them in a safe place for future reference. Also follow the instructions stated in the manuals and instructions for the other system components that are a part of the overall PV system. All current structural, safety and building regulations must be observed.

Van der Valk Solar Systems B.V. will never be liable for any direct and/or indirect intangible or consequential loss ensuing from or connected to the failure to observe the instructions provided in these user instructions.

Safety instructions for roofs

Solar mounting systems installed on roofs will be exposed to wind and snow.

The building in question will be subject to a greater load as a result of the PV system. A design calculation must be used to establish whether or not the building in question will be able to withstand the extra load. Where necessary, modifications need to be made.

The standards applied (if applicable for specific solar mounting system)

EN 1990	Basis of structural design
EN 1991-1-3	Actions on structures / Snow loads
EN 1991-1-4	Actions on structures / Wind actions
EN 1993-1-1	Design of steel structures / General rules for buildings
EN 1993-1-3	Design of steel structures / Supplementary rules for cold formed members
EN 1997	Geotechnical design
EN 1998-1	Design of structures / General rules, seismic actions and rules for buildings
EN 1999-1-1	Design of aluminium structures
NEN 7250	Solar systems - Integration in roofs and facades - Building aspects (pending)
BS EN 1991-1-4	British Standard

Application

To calculate the needed strength, ballast and foundation of the solar mounting system, according the Eurocodes, the specific location details have to be determined, e.g. wind zone, snow zone and height of the building. These need to be entered in the 1-2-3 PV Planner.

Foundations and strength of field systems are calculated with SolarTop.

Type of solar panel

The Van der Valk Solar Systems mounting systems are universal mounting systems for solar panels. Almost any solar panel with or without an aluminium frame, possibly with mounting holes, can be mounted.

Types of roof

Type of roof covering: bitumen, EPDM, PVC, concrete and other roof coverings. For ballast calculations the exact roof covering must be known. Before installing the solar mounting system, make sure that you carefully sweep the roof area.

The ballast calculation for flat roofs only applies for roofs with a slight pitch of up to 5°. Above this roof pitch, the system needs to be attached to the roof securely.

Ballast

Flat roof systems can be attached to the roof or need to be supported by ballast, to make sure that the system is unable to move, lift or tip over.

The components supplied do not fully include the ballast required, which will be a number of tiles with a certain measurement and weight.

The number of tiles required per position, per type of solar panel, per roof area and per building height is calculated via the 1-2-3 PV Planner and can be seen in the installation instructions and foundation advise. The number of tiles specified per position will be vital to ensure that the mounting system can be used safely.

Position

Restrictions also apply for the position of the system on a roof. The solar panels must be installed at a certain distance from the edge of the roof. Follow the scheme in the installation manual calculated by the 1-2-3 PV Planner.

Guarantee

The guarantee provided is subject to the guarantee conditions stated in the general terms and conditions stipulated by Van der Valk Solar Systems BV. Our terms and conditions can be found on our website: www.valksolarsystems.nl.

The mounting system is a product that has been produced by:

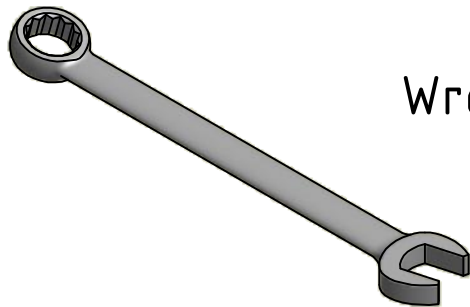
Van der Valk Solar Systems B.V.,

Registered with the chamber of commerce for Haaglanden

under number 27355116. Internet: www.valksolarsystems.nl



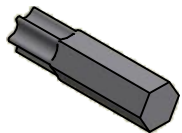
Necessary Tools For ValkPro+



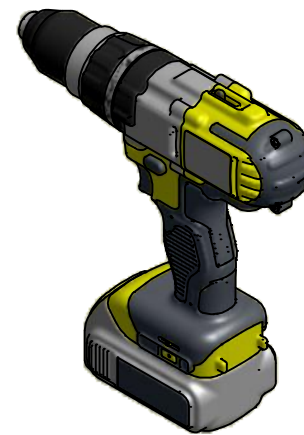
Wrench 13



Socket 13

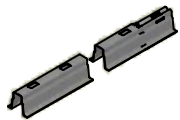


Torx bit T-30

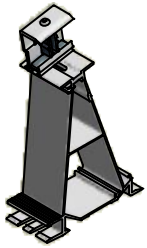


Cordless drill
(for socket 13 and Bit T-30)

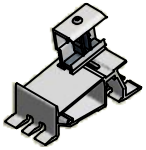
Mounting the Front and Rear Foot - Side



74.18.01500

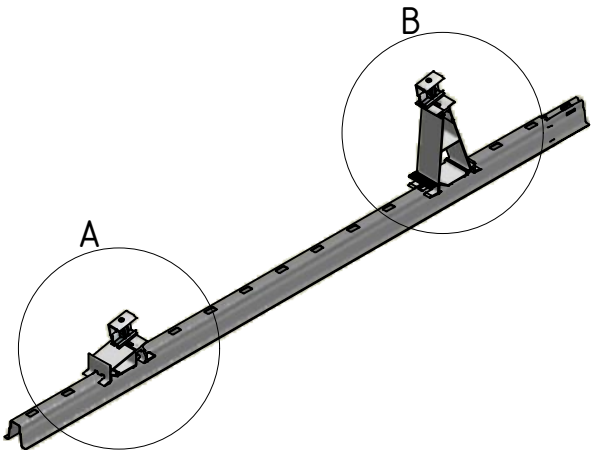
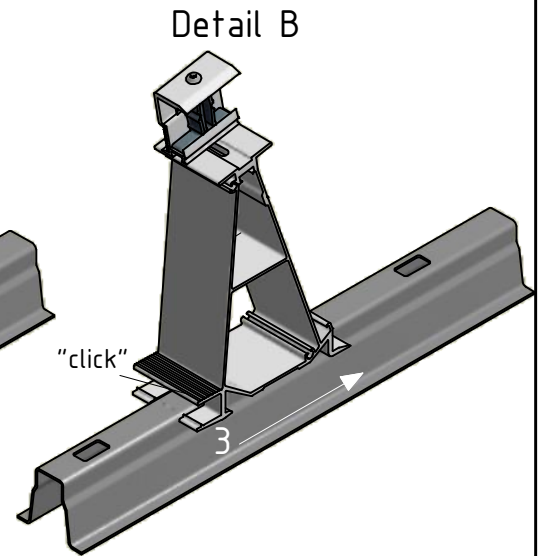
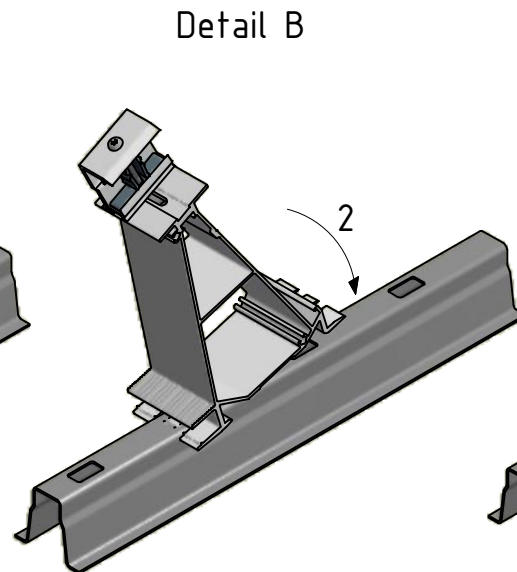
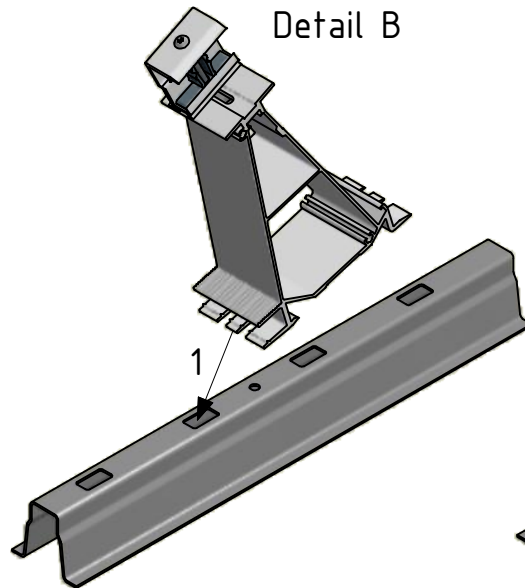
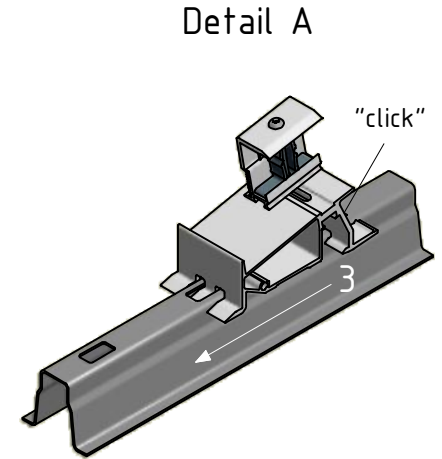
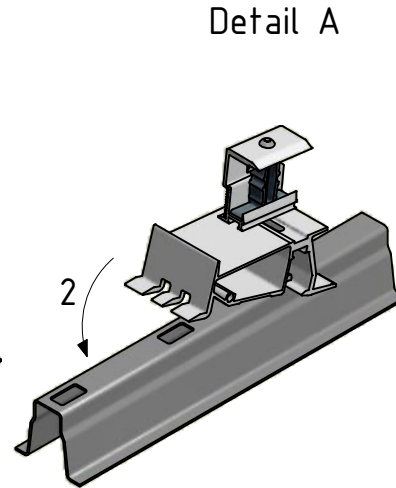
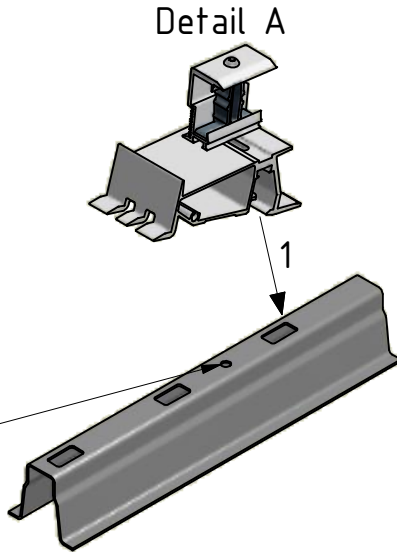


72.46.51

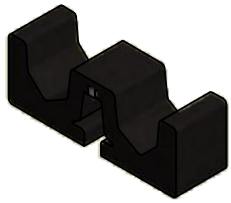


72.46.61

Use the holes to place the Front and Rear Foot at the right location.

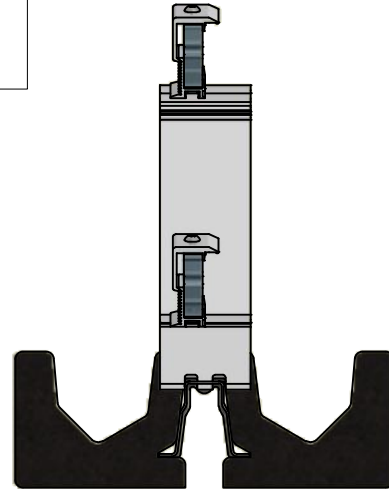


Placing the rubber tile carriers - Side

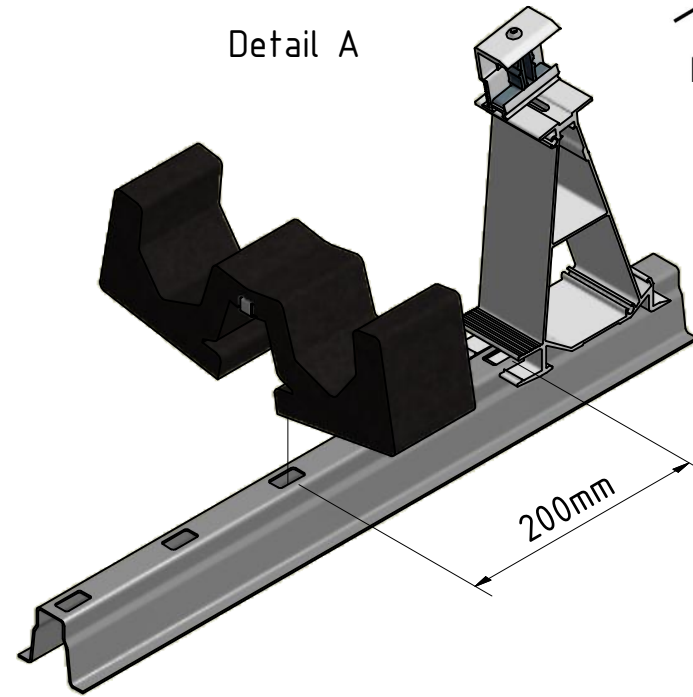


72.96.25

Front View

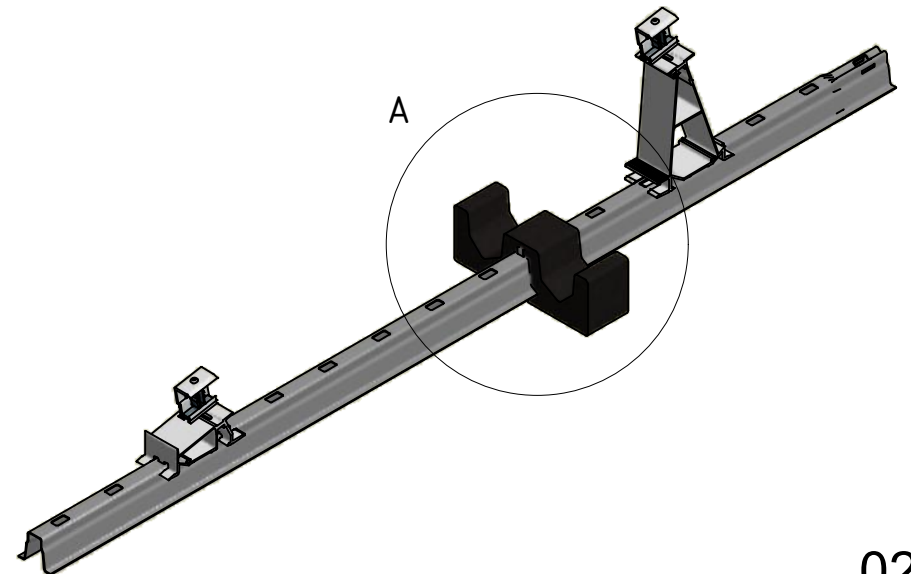
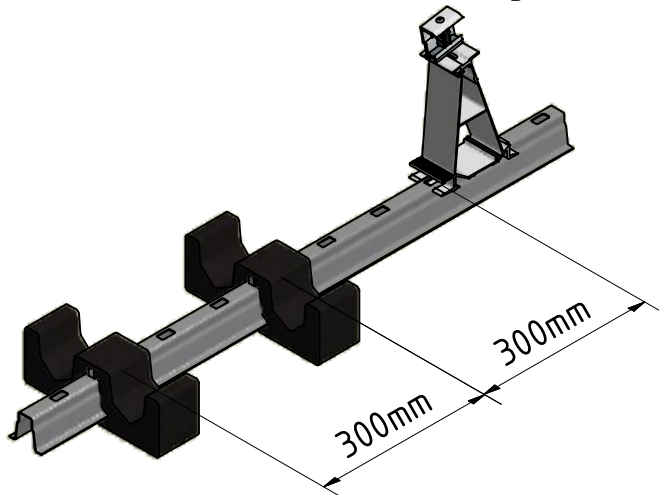


Detail A



Exception!!

If the calculation in the 1-2-3 PV Planner advises one and a half tile at the side use the alignment below.



Mounting the Side Panels



74.25.30 (Left Panel)
74.25.31 (Right Panel)

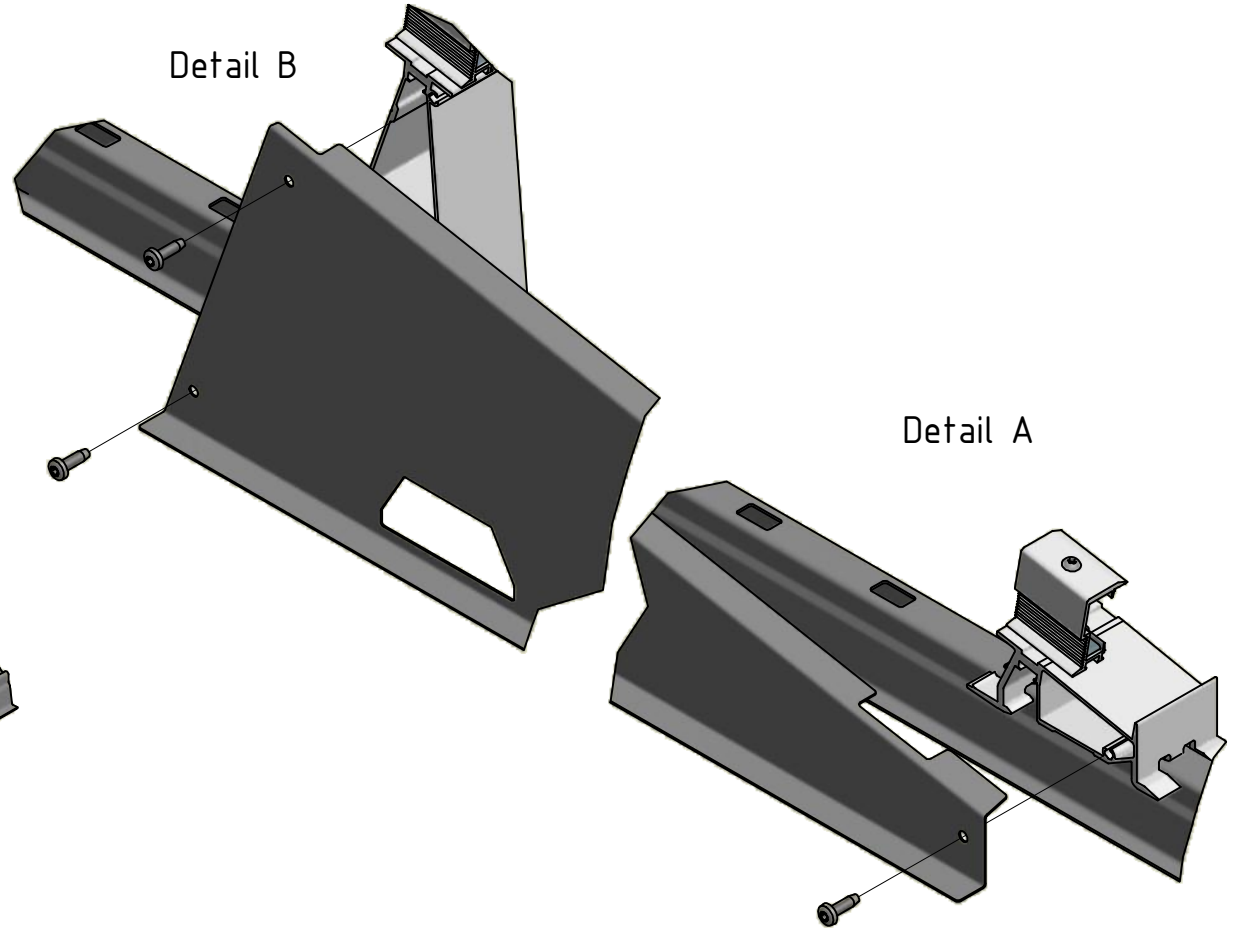
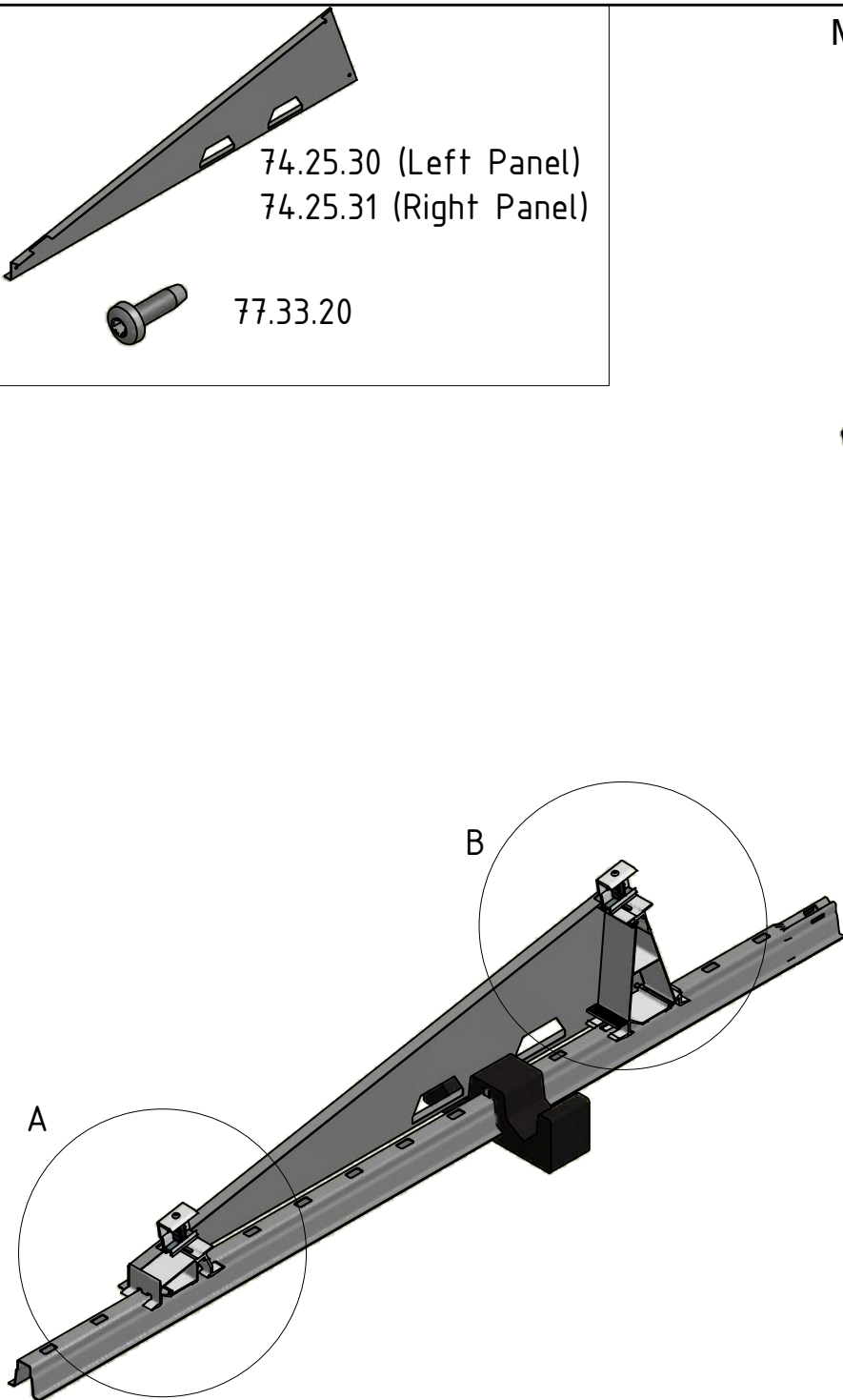
77.33.20

Detail B

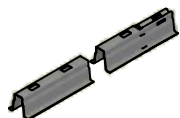
Detail A

B

A



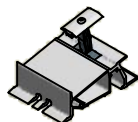
Mounting the Front and Rear Foot - Middle



74.18.01500

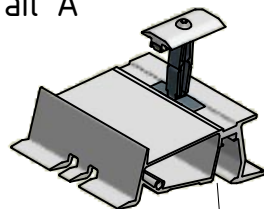


72.46.50



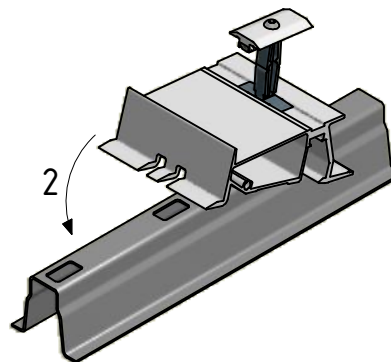
72.46.60

Detail A



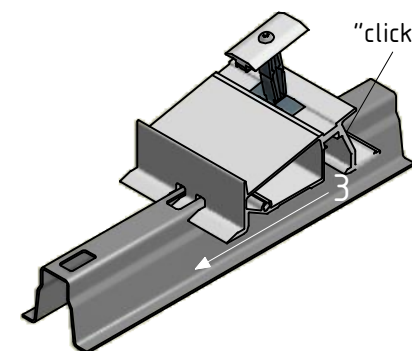
1

Detail A



2

Detail A

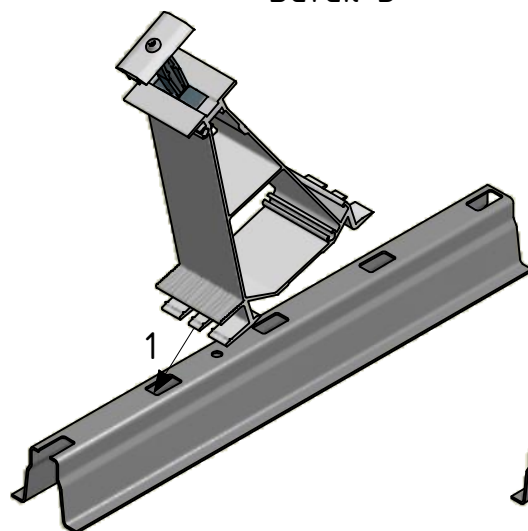


"click"

3

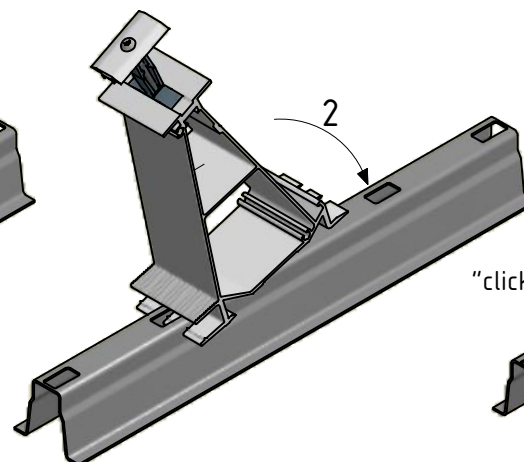
Use the holes to place the Front and Rear Foot at the right location.

Detail B



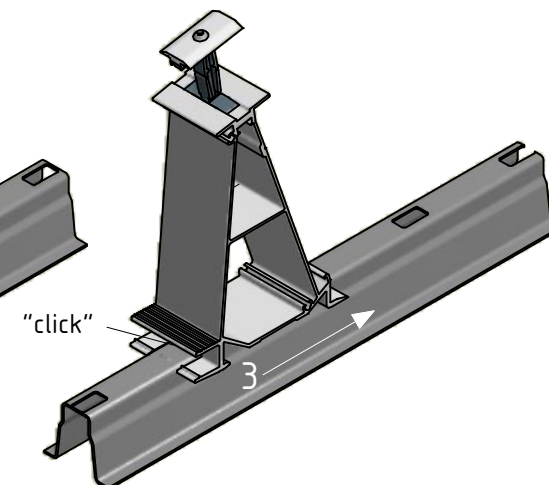
1

Detail B



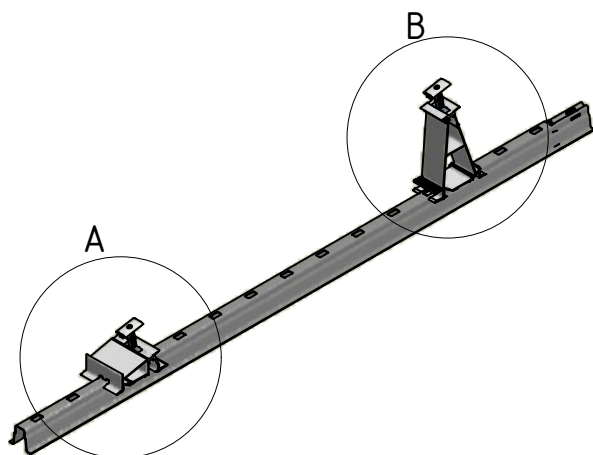
2

Detail B



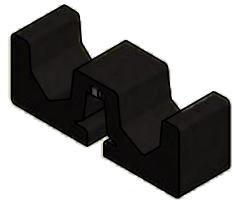
"click"

3



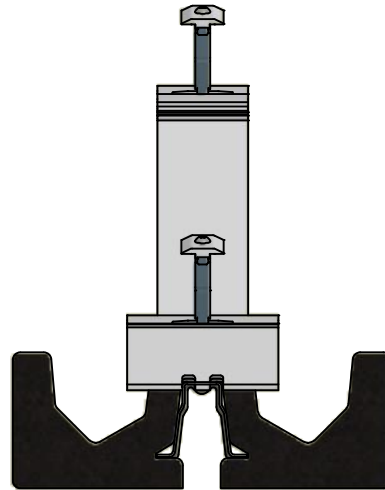


Placing the rubber tile carriers - Middle

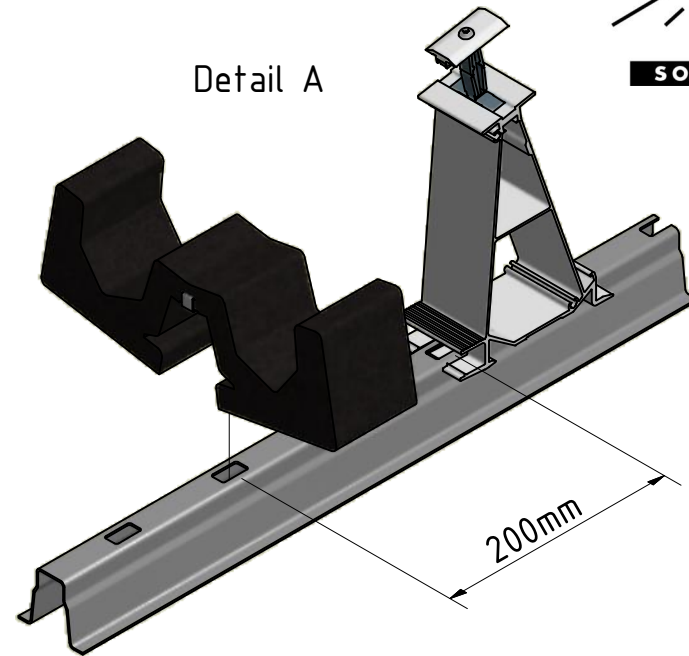


72.96.25

Front View

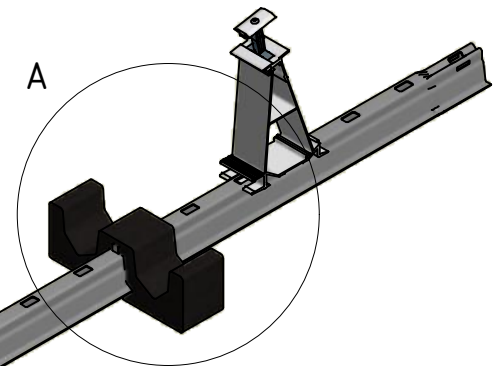
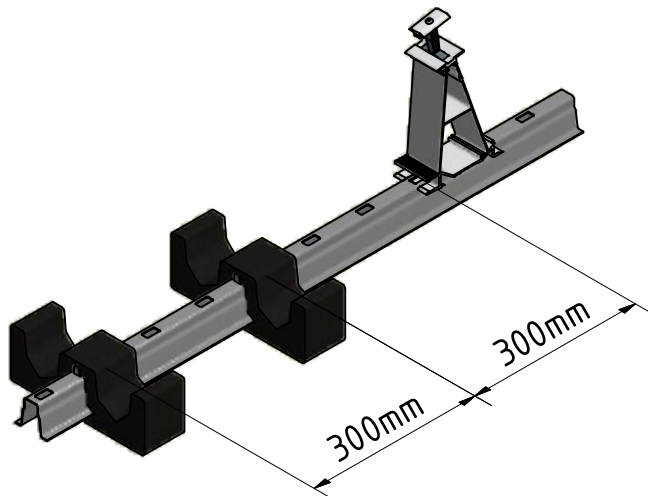


Detail A



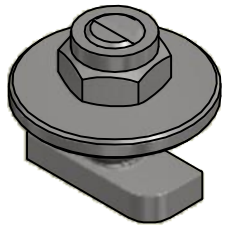
Exception!!

If the calculation in the 1-2-3 PV Planner advises three tiles in the middle use the alignment below.



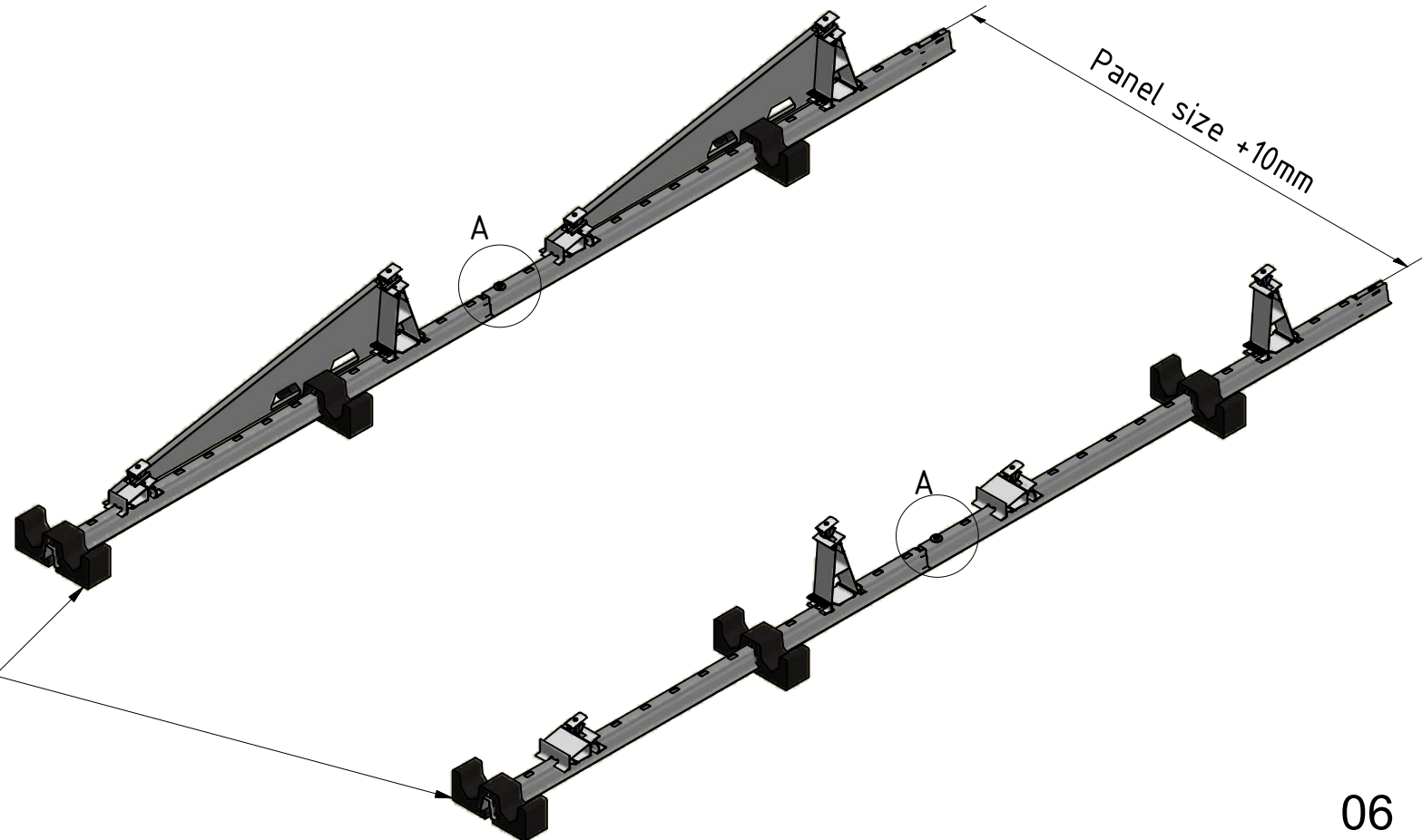
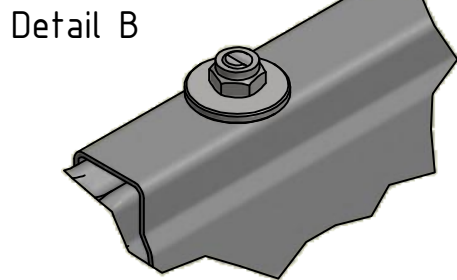
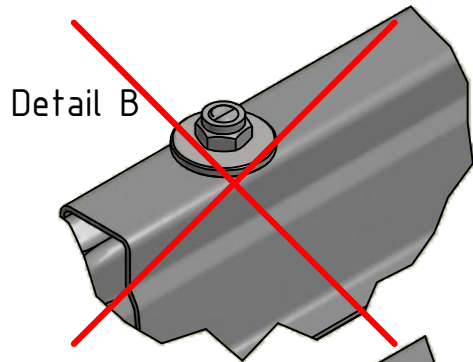
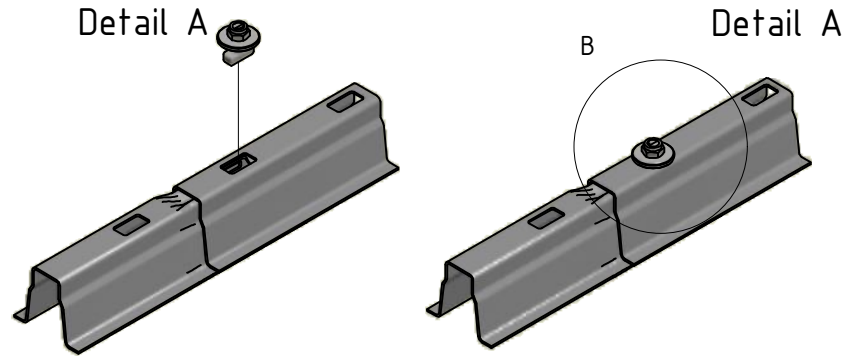


Coupling Roof carriers



77.42.21

The groove of the bolt corresponds with the orientation of the bolt head.

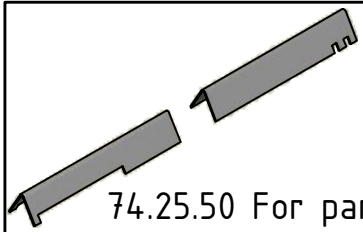


Only use these rubber tile carriers on the first row of the system. (Mount in 1st hole.)



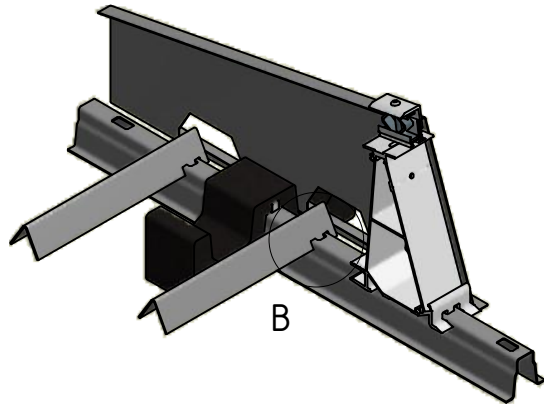
Placing Mass Carriers

Place the Mass Carriers according to the ballast calculation of the 1-2-3 PV Planner. (For example see page 8.)

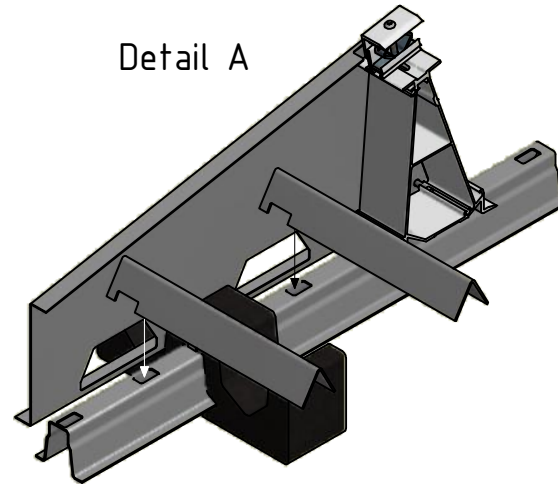


74.25.50 For panel L=1559-1675mm
74.25.55 For panel L=1950-2000mm

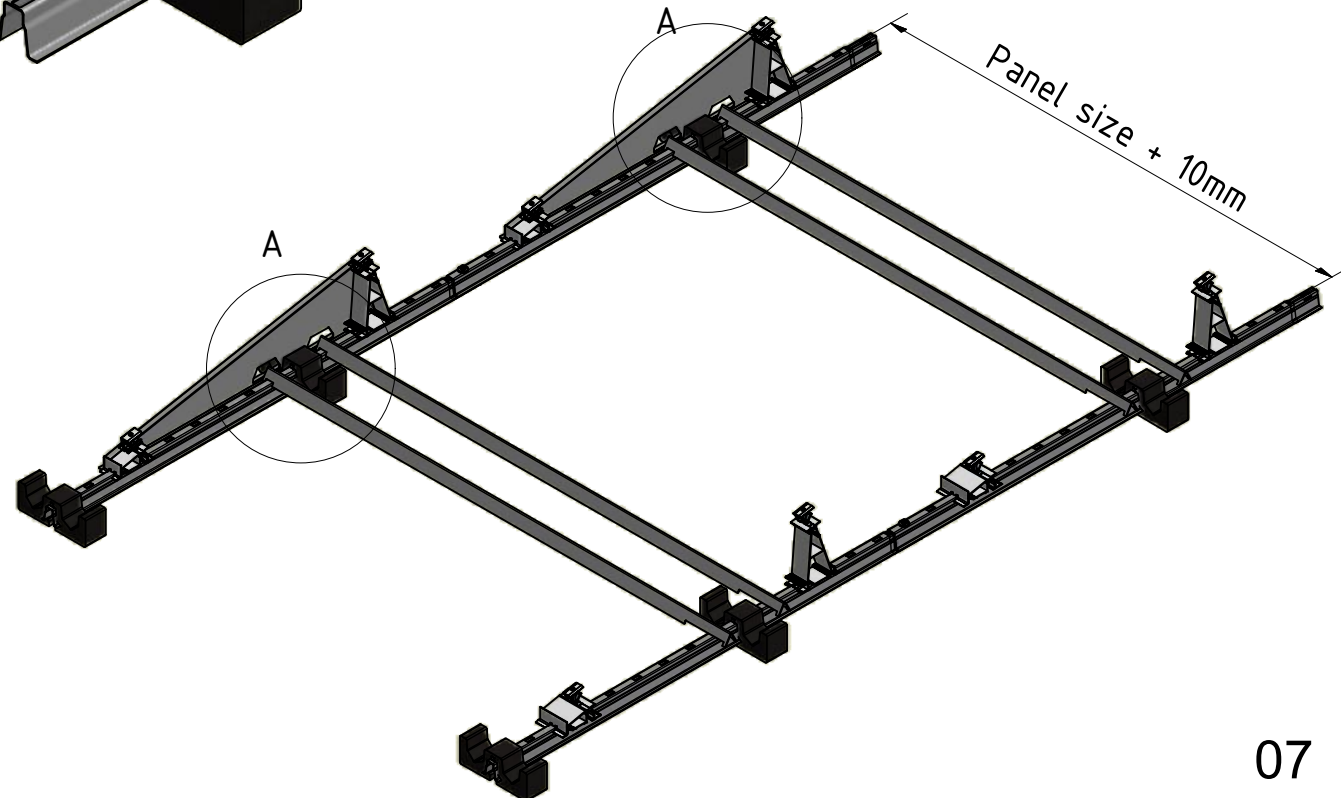
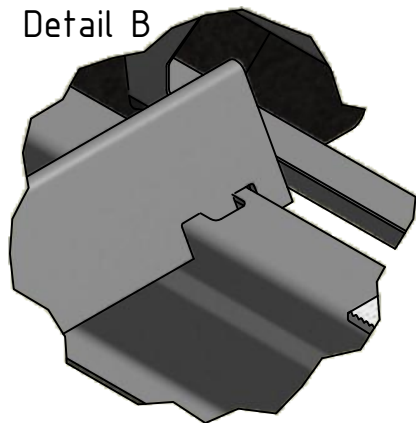
Detail A



Detail A



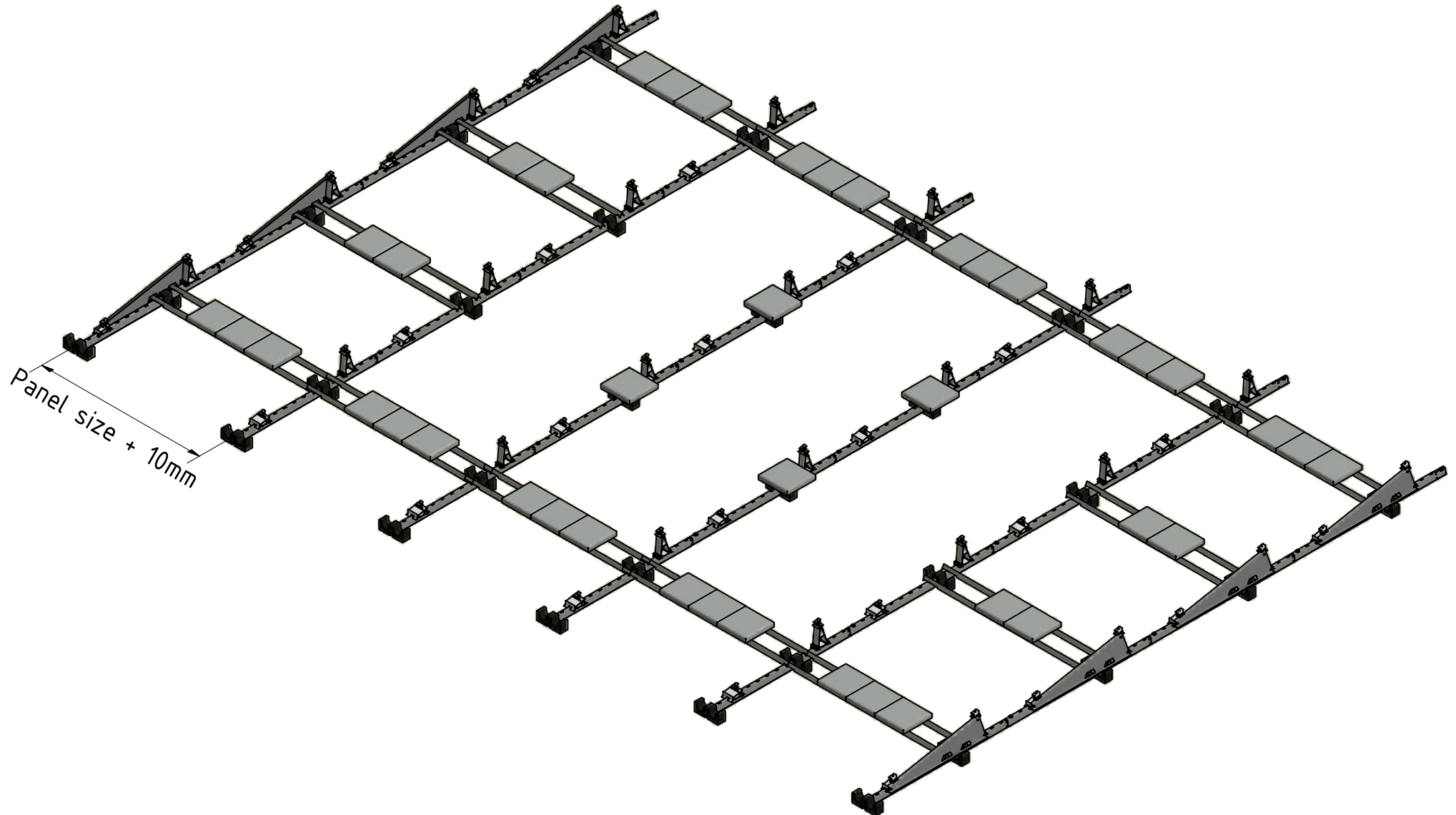
Detail B



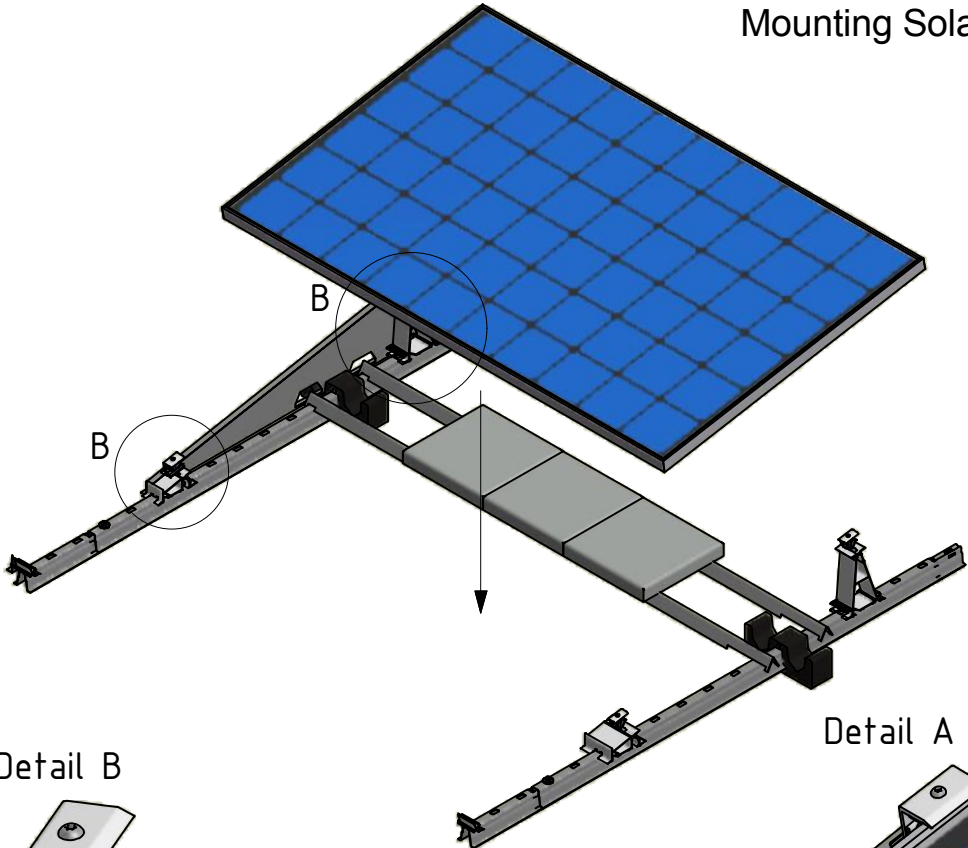
Positioning the Ballast (example)



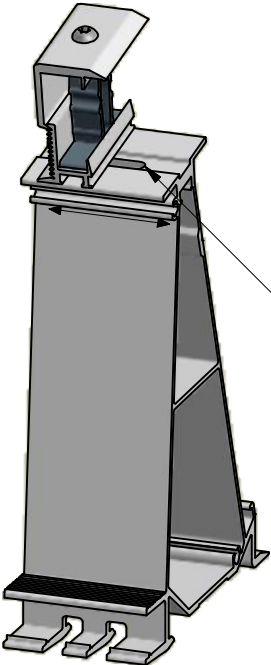
Check the 1-2-3 PV Planner
how much ballast is required.



Mounting Solar Panels - Side

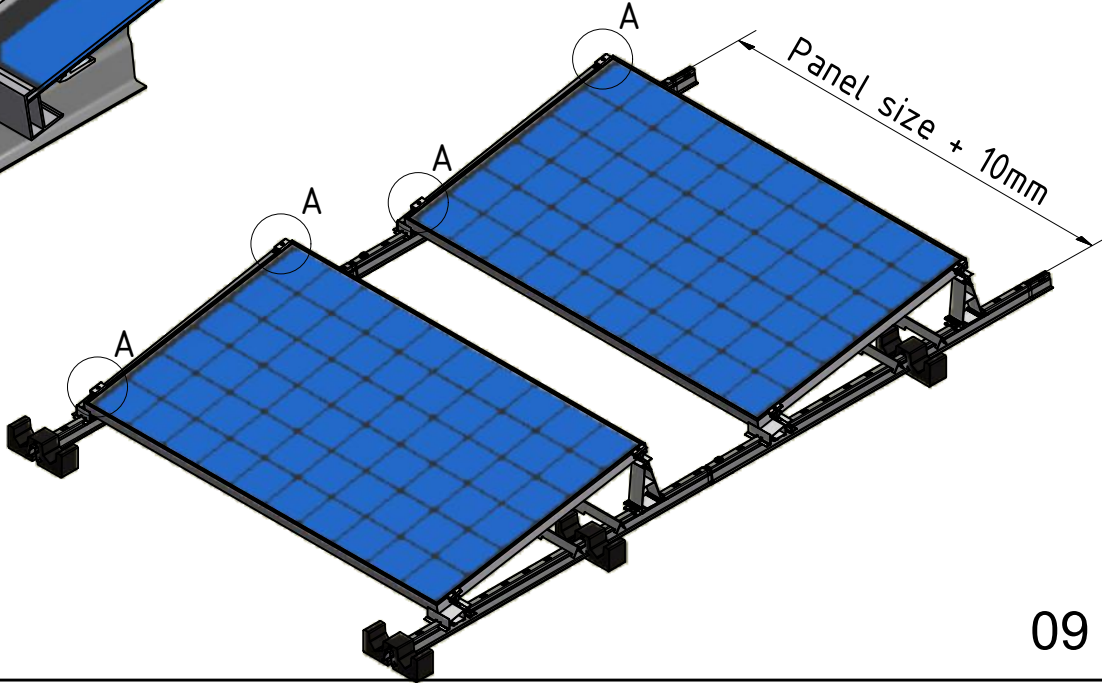
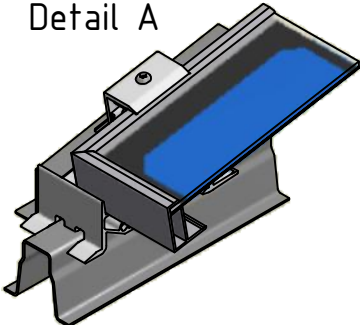


Detail B

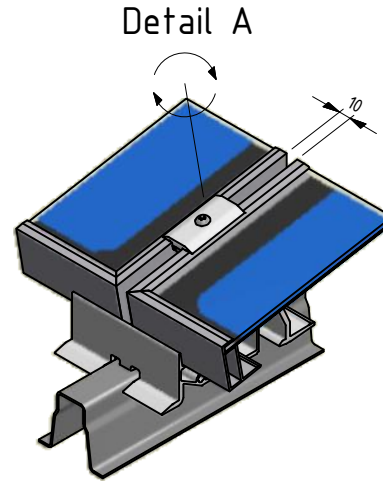
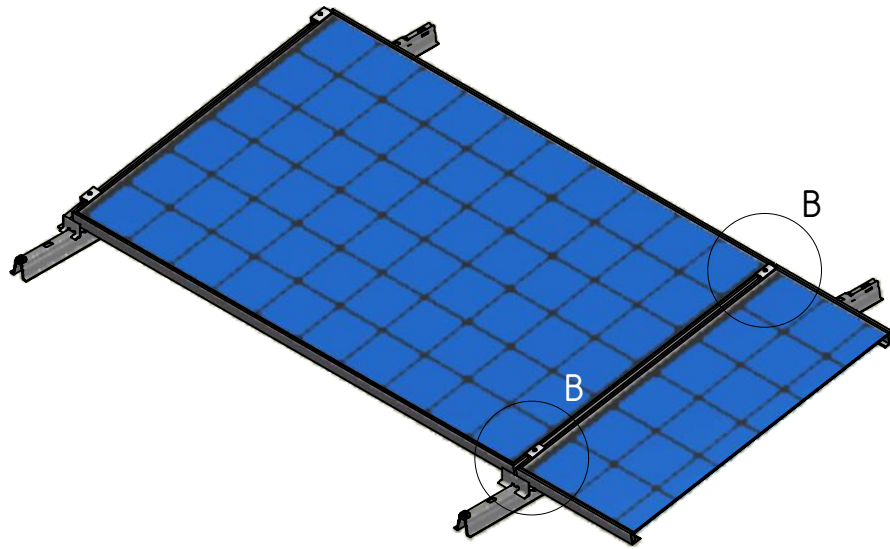


Use oblong hole to make space for the solar panel.

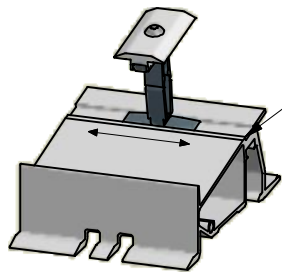
Detail A



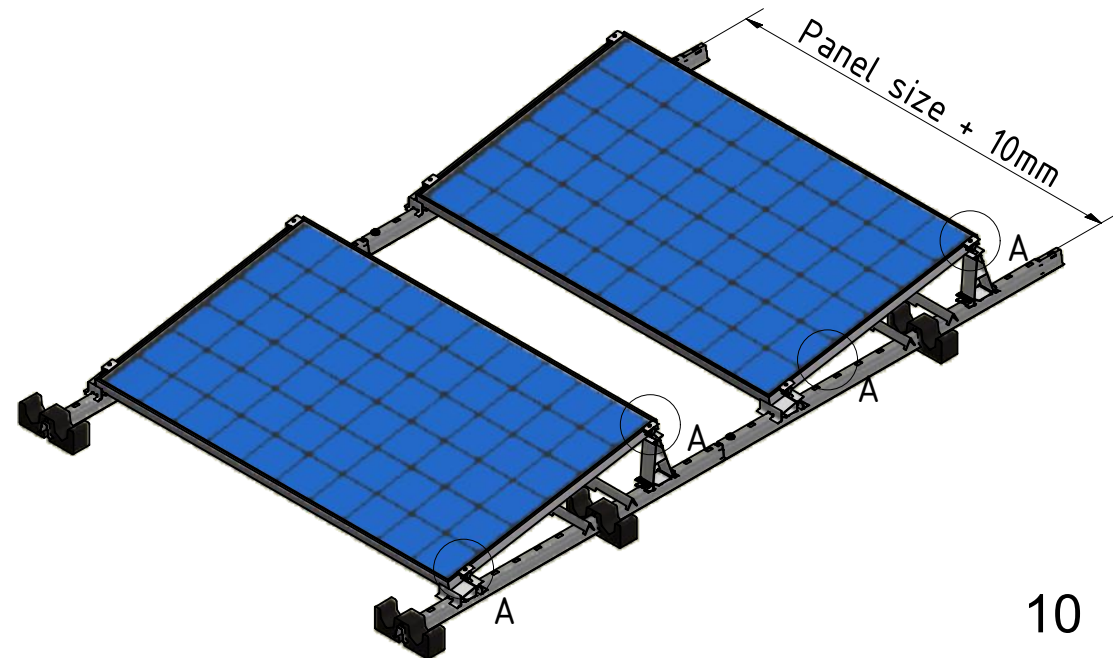
Mounting Solar Panels - Middle



Detail B

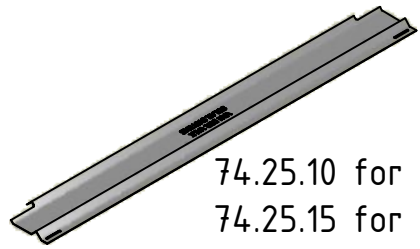


Use oblong hole to make space for the solar panel.





Mounting Back Panels

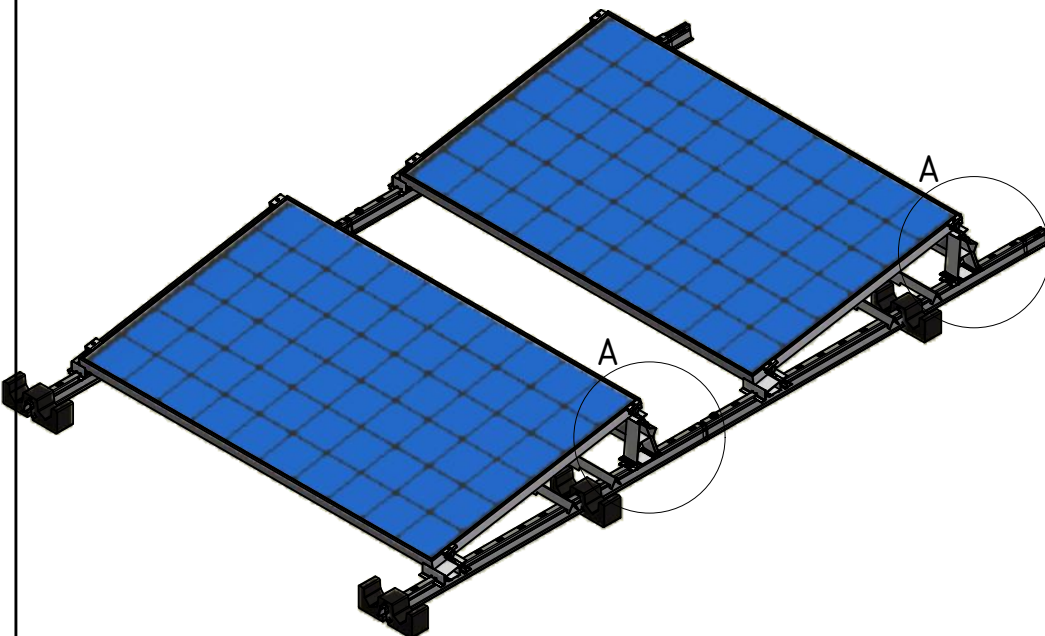
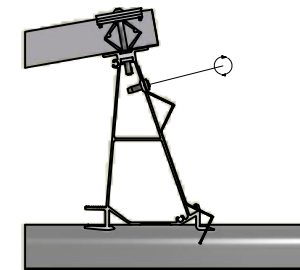
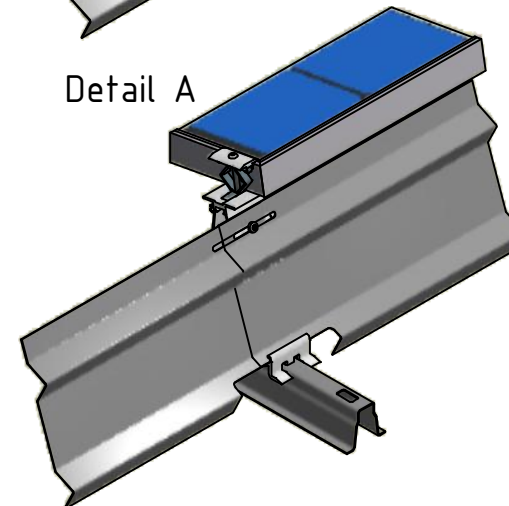
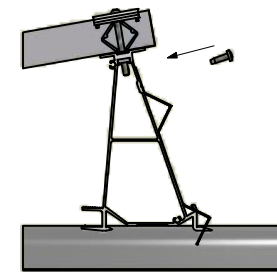
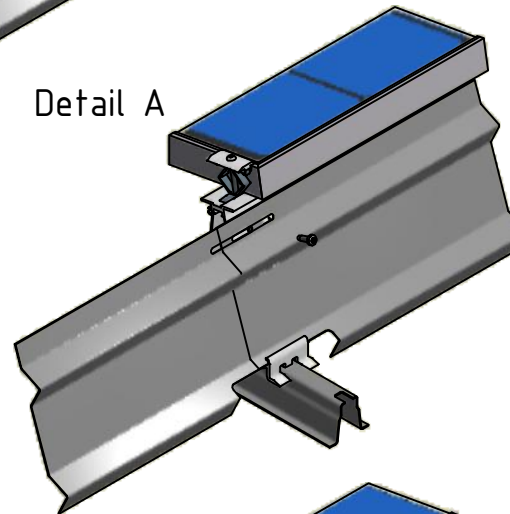
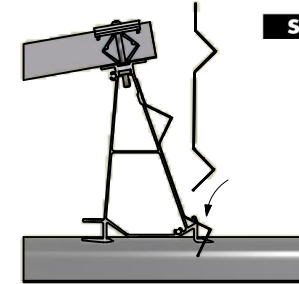
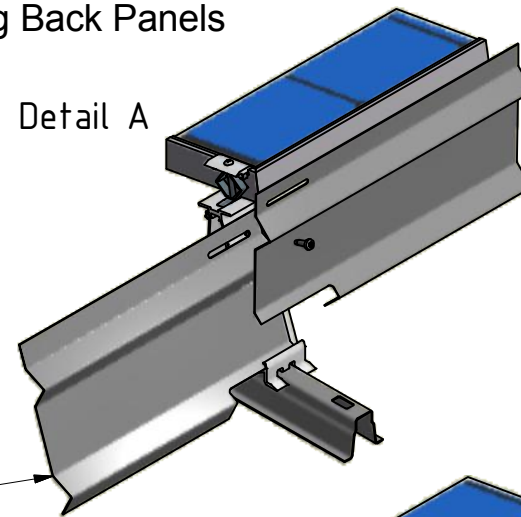


74.25.10 for panel L=1559-1675mm
74.25.15 for panel L=1950-2000mm

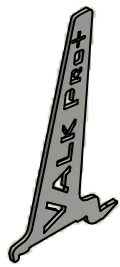


77.33.20

The two Back Panels overlay each other and are fastened with 1 Torx bolt.

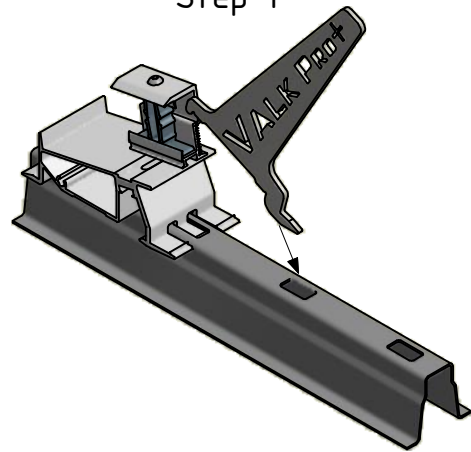


Disassemble Front and Rear Foot

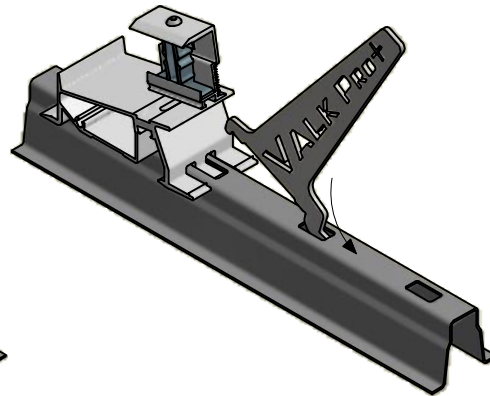


74.30.00

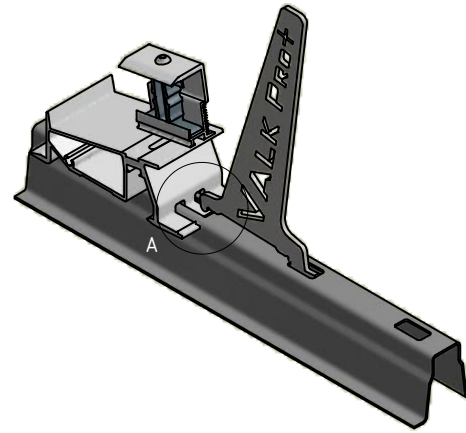
Step 1



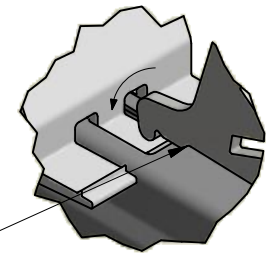
Step 2



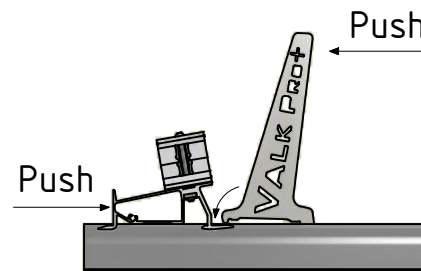
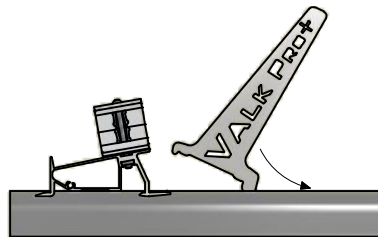
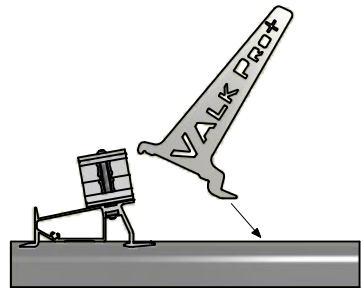
Step 3



Detail A



Use the Disassembly Key to push the middle lock tab down. Now the Front or Rear Foot can be removed.



Push the Disassembly Key simultaneous with the Front or Rear Foot towards each other to disassemble the Front or Rear Foot from the Roof Carrier.

Van der Valk Solar Systems

Van der Valk Solar Systems is a specialist company that is fully focused on developing and producing mounting systems for use with solar panels. To this end we work in close collaboration with Van der Valk Systemen, our sister company.

Van der Valk Systemen has been a well-known name in the field of moving systems and stationary components for the greenhouse horticultural sector and industry throughout the world since 1963. Van der Valk Systemen's high quality products have been individually developed from a scientific approach and produced with mathematical precision. They are made to be low-maintenance and to stand out thanks to their durability, reliability, functionality and ease of assembly.

Both Van der Valk Systemen and Van der Valk Solar Systems only introduce innovative products to the market. Our shared business complex consists of 20,000 m² of offices and production facilities, in which modern machinery and the latest technologies facilitate development, manufacturing and testing that is fast, flexible and precise.

Developer and producer of solar mounting systems for:



Open Fields



Pitched Roofs



Flat Roofs



Greenhouses



Water Features



PLEASE CONTACT VAN DER VALK SOLAR SYSTEMS, YOUR INSTALLATION COMPANY OR PROJECT ORGANISATION FOR FULL INFORMATION.