

## Door and window system **MB-70**

The Aluprof **MB-70** is a high performance and fully integrated window and door system. Due to the specially designed polyamide break and extruded gaskets that are incorporated into the aluminum profile it offers excellent thermal insulation performance, with the  $U_f$  rate from  $1,0 \text{ W/(m}^2\text{K)}$  and reduced noise properties. The range perfectly suites with Aluprof's curtain walling and framing products and is appropriate for installation in low and high rise buildings for new buildings and refurbishment projects.

▪ Flexibility of design

▪ Thermal insulation:  $U_f$  from  $1,0 \text{ W/(m}^2\text{K)}$

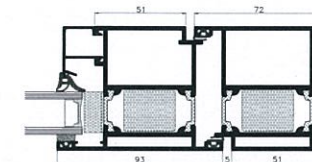
**RECOMMENDED  
FOR ENERGY-EFFICIENT  
CONSTRUCTIONS**



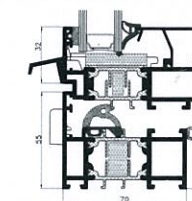
 **ALUPROF**

### DOOR AND WINDOW SYSTEM / MB-70

#### MB-70 / MB-70 HI



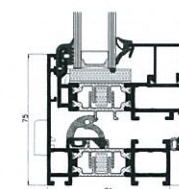
Door – cross-section MB-70 HI



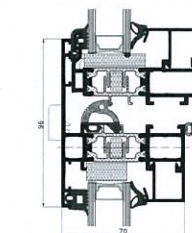
Window – cross-section MB-70 HI

The basic range of profiles allows the manufacturing of windows that open inwards and outwards. Thanks to its construction, it allows the use of many types of turn, tilt, turn-and-tilt and tilt-and-slide fittings as well as folding constructions. As regards doors, we have at our disposal the conventional single- or double-leaf doors as well as doors with the so-called safe doorstop. The system is also used for making bigger showcase structures using reinforcing profiles when required. It is also the basis for a number of interesting individual solutions.

#### MB-70US / MB-70US HI

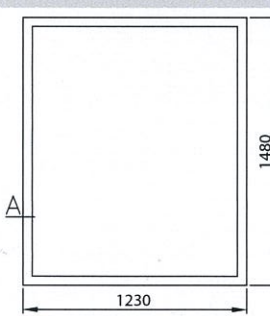
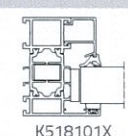
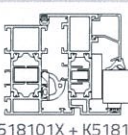
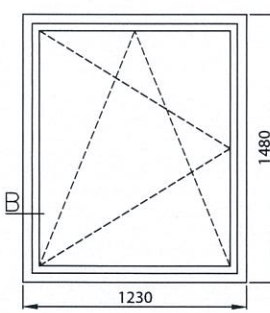
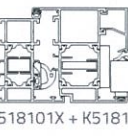
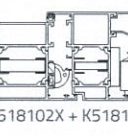


Opening window – cross-section



Opening window and fixed window – cross-section

The invisible window sash variety. It enables an effect of indifferent look of series of neighboring combination of fixed and opening windows from the outside of the building. It gives an impression of light and neat look since low width of frames seen from the outside. Available in both regular and HI variety with enhanced thermal insulation.

WINDOW DIAGRAMS	SECTION A OR B	$U_w$ value $W/(m^2K)$		
		Glass pane with Chromatech Ultra frame		
		Double-chamber		Single-chamber
		$U_g=0,5$	$U_g=0,7$	$U_g=1,0$
	 K518101X	0,8	1,0	1,2
	 K518101X + K518111X	1,0	1,1	1,3
	 K518101X + K518112X	1,0	1,1	1,3
	 K518102X + K518112X	1,0	1,1	1,3