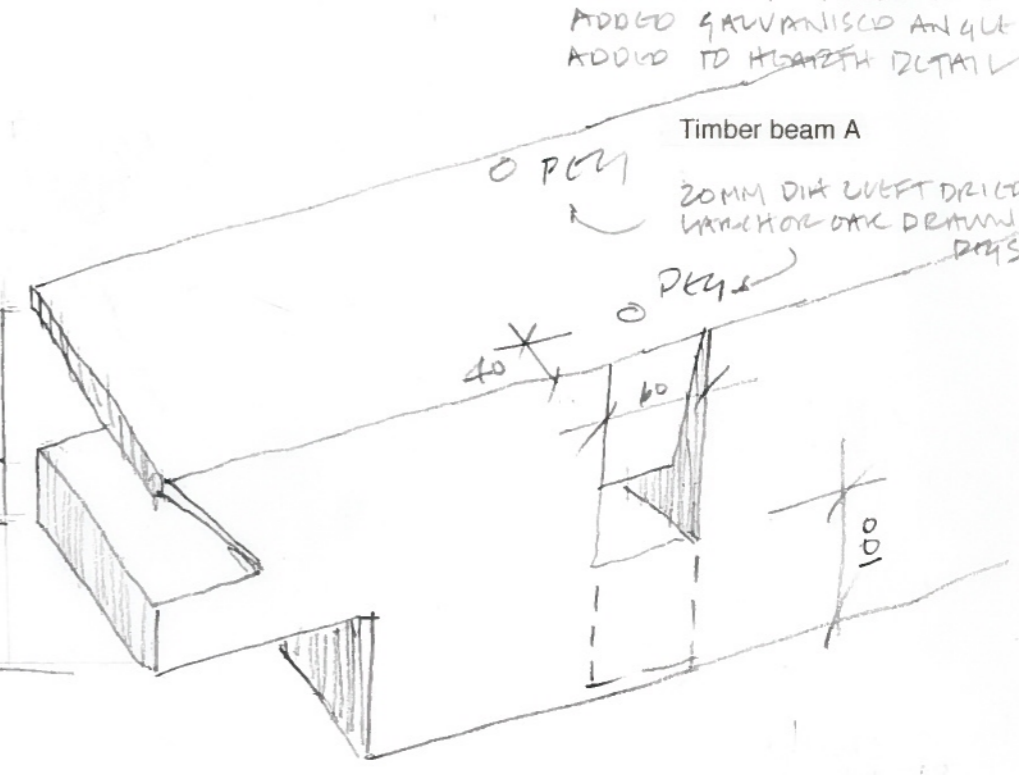
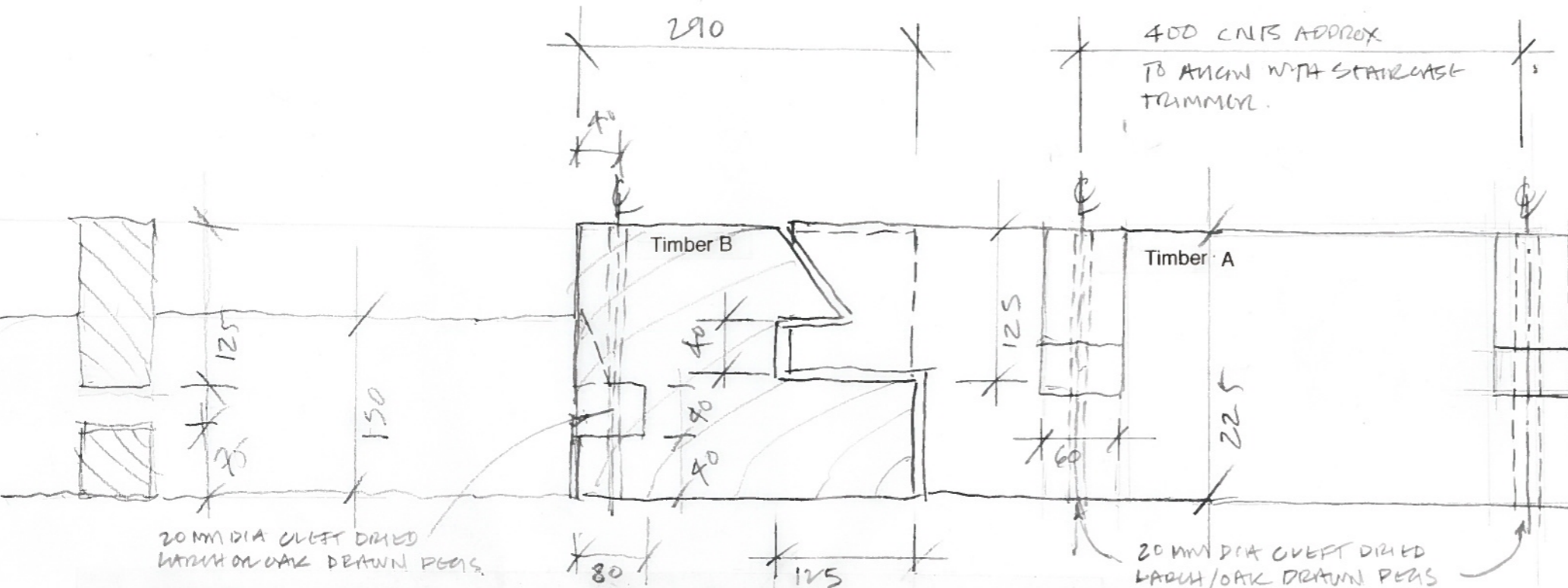
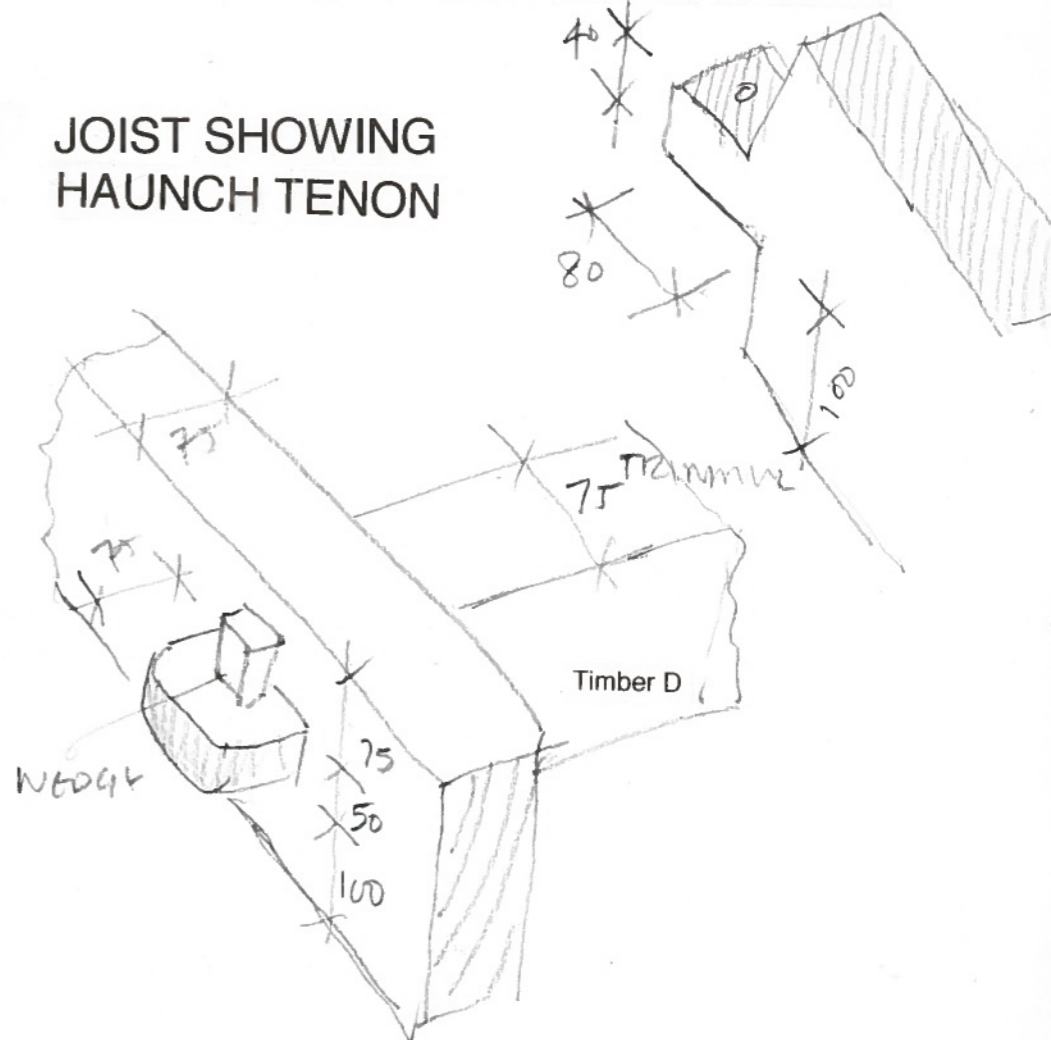
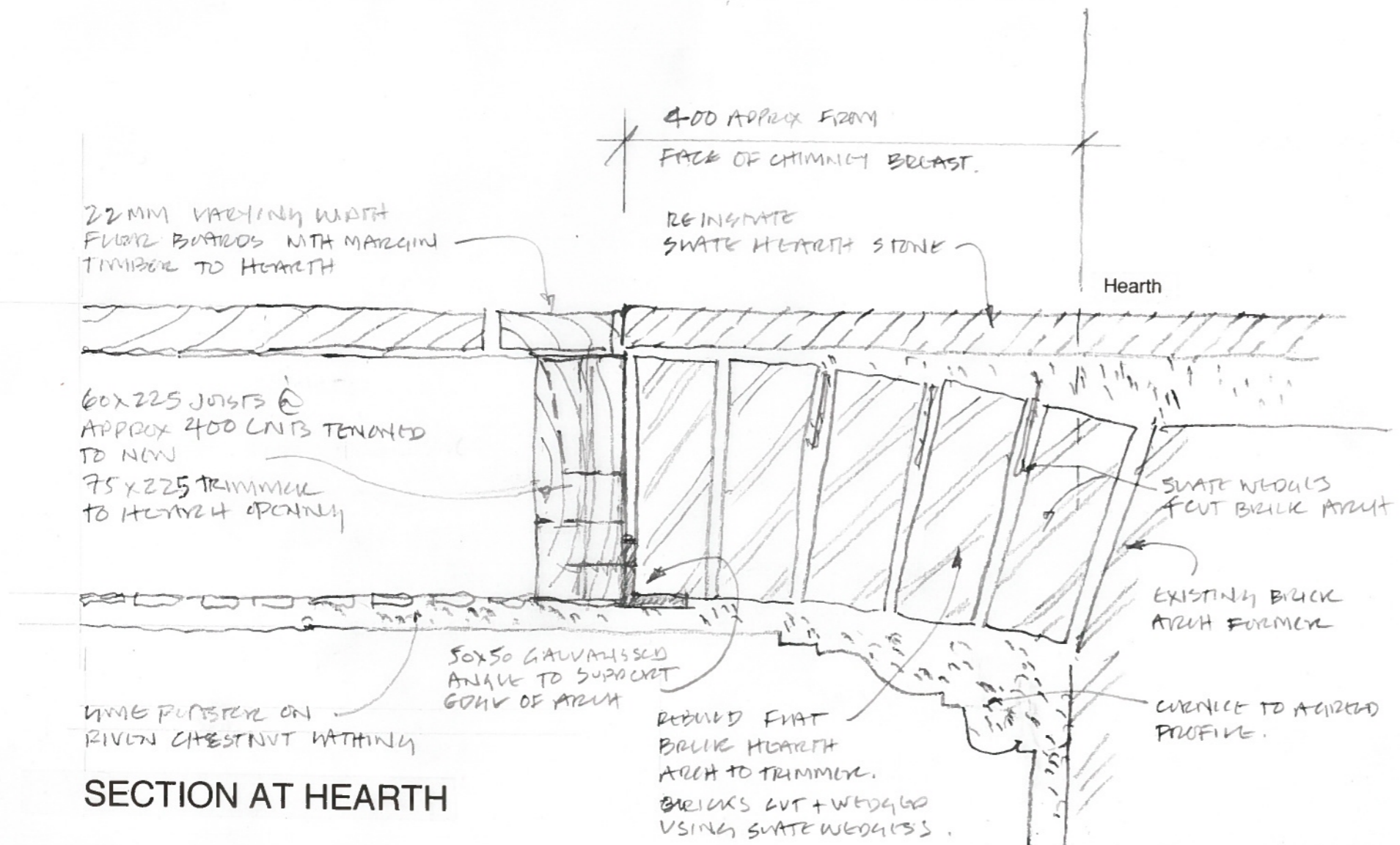


REV A: 17/10/2018 PER DESCRIPTION
 ADDED GALVANISED ANGLE
 ADDED TO HEARTH DETAIL



SECTION SHOWING JUNCTION BETWEEN FLOOR BEAMS

SKETCH OF FLOOR BEAM TENON



SECTION AT HEARTH

SKETCH OF HEARTH TENON