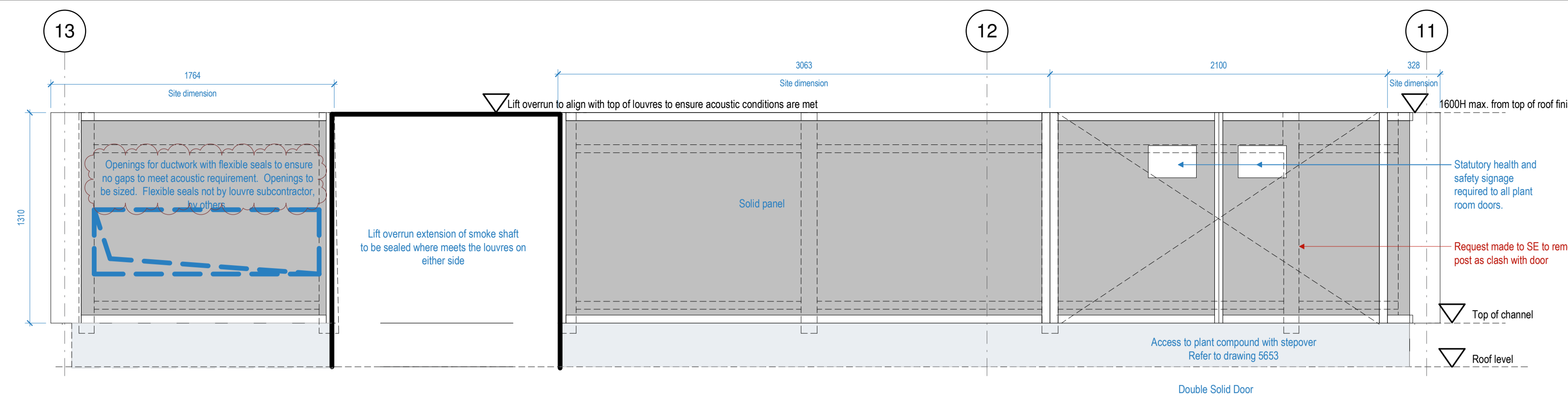
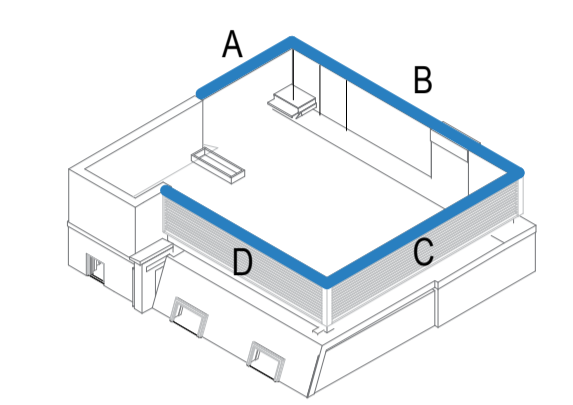


Type LS - Louvre Elevation L04008A External Southern Plant Compound
Specification reference: 25-55-45 / 170

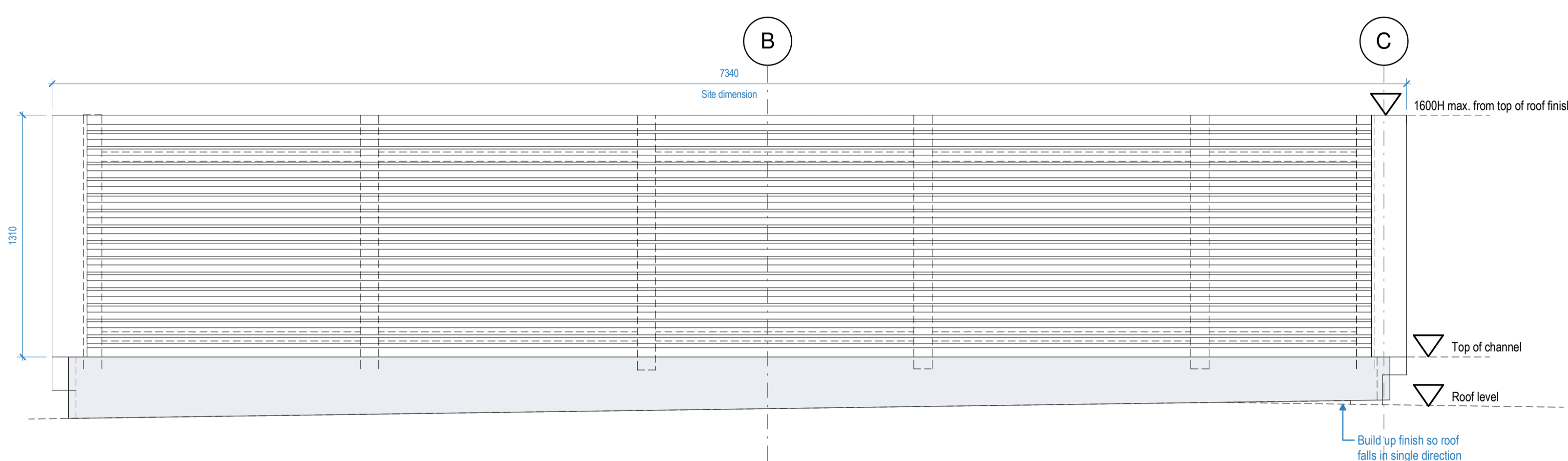


Type LS - Louvre Elevation L04008B External Southern Plant Compound
Specification reference: 25-55-45 / 170

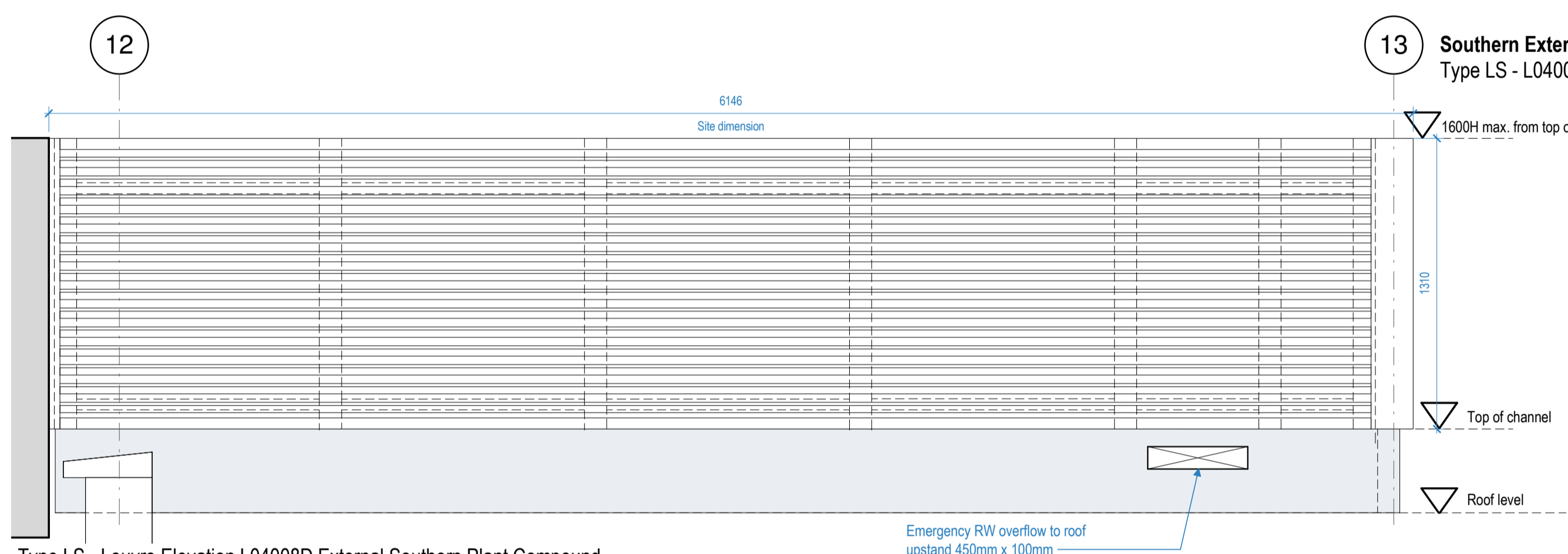
- Notes:**
- For structural openings, see door schedule 1615-ST-Q1-ZZ-SH-A-8301-8303
 - Final Measurements to be taken by manufacturer on site prior to manufacture.
 - Door handles to be 1050mm AFFL unless otherwise stated.
 - Door closers to be concealed.
 - Ironmongery - Refer to schedule for all types Refer to 5370-5372 for Typical Louvre Screen Details.
 - Specification Reference 25-55-45/170
 - Please note that a generic louvre system has been drawn to be read in conjunction with Alps proposals
 - Openings for ductwork/service routes to be co-ordinated with MEP engineers prior to manufacturing
 - For fire escape gate to Gage Street, refer to drawing 5654
 - Maximum heights have been noted which have been granted from Camden. This also screens the plant within the compound to meet the acoustic requirements. Any discrepancy should be identified and highlighted to the architect.



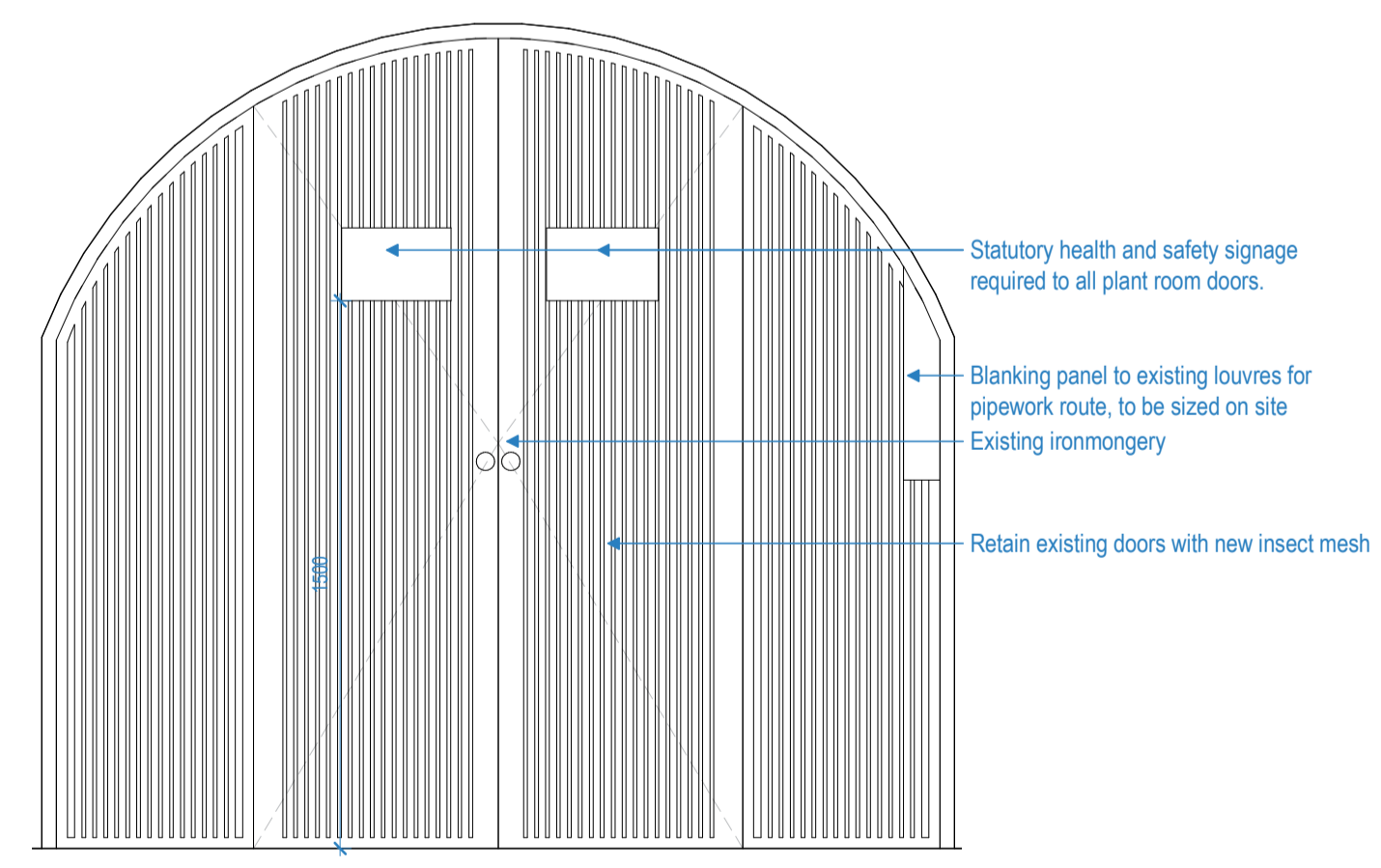
Southern External Plant Compound
Type LS - L04008A, B, C, D



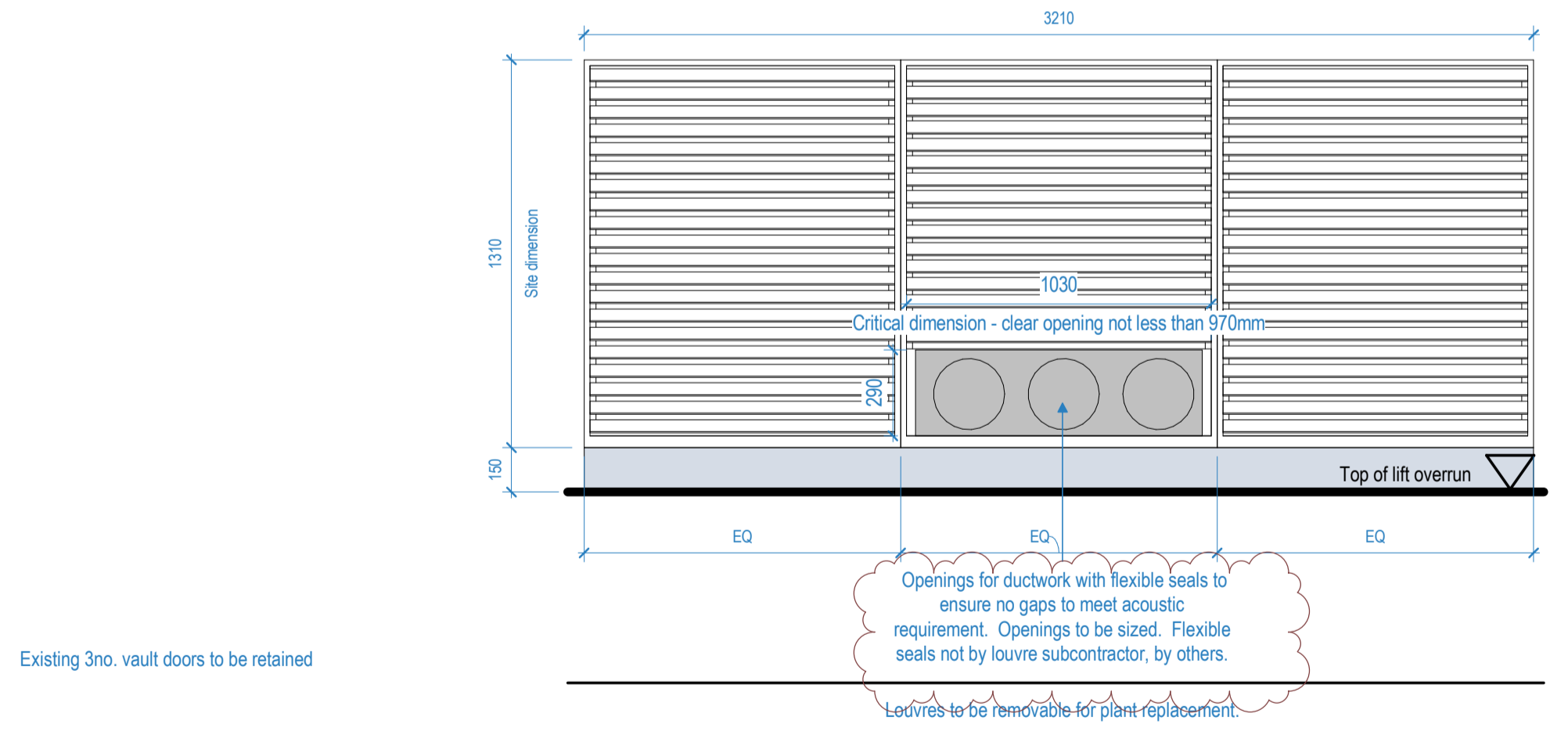
Type LS - Louvre Elevation L04008C External Southern Plant Compound
Specification reference: 25-55-45 / 170



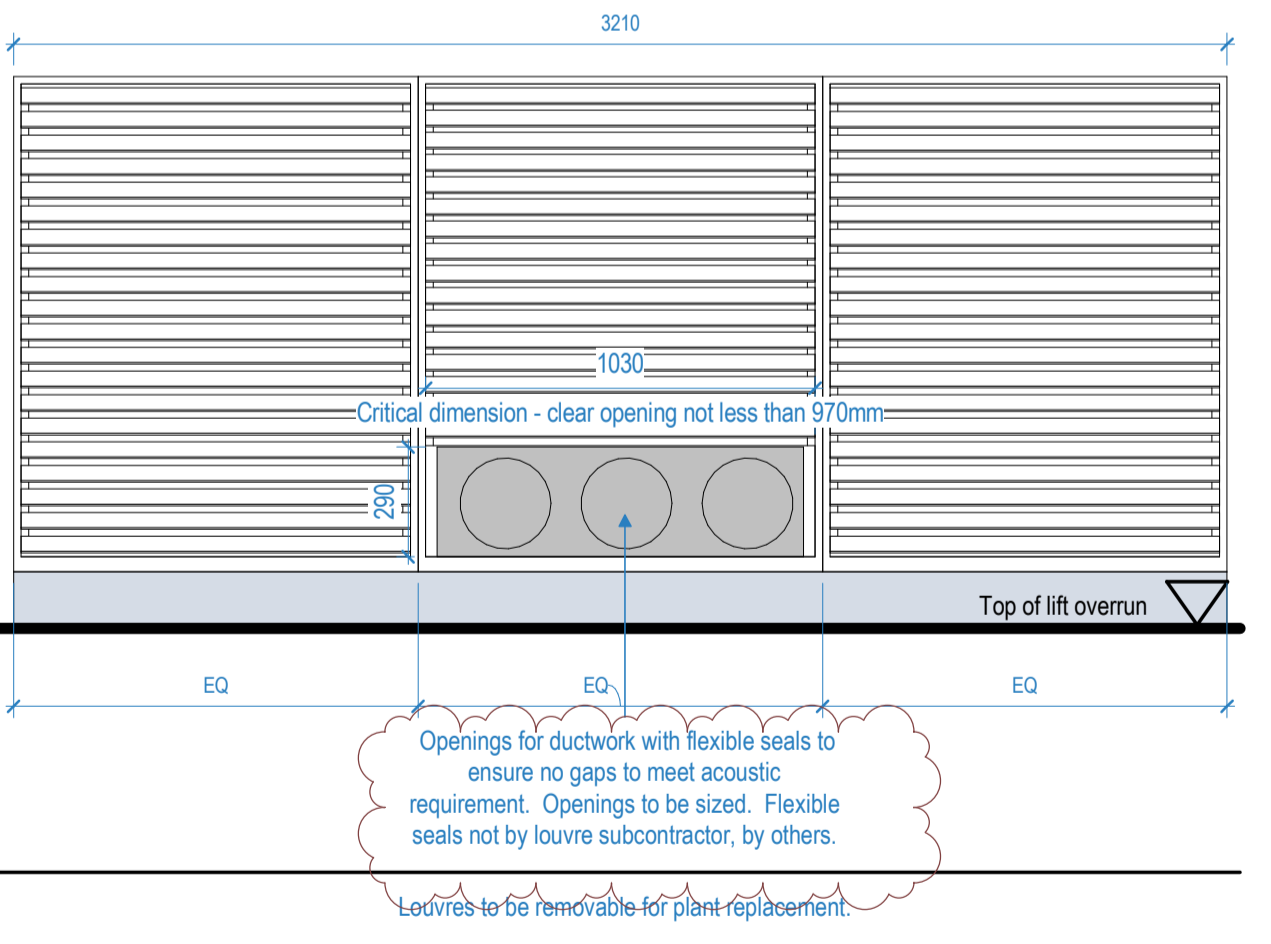
Type LS - Louvre Elevation L04008D External Southern Plant Compound



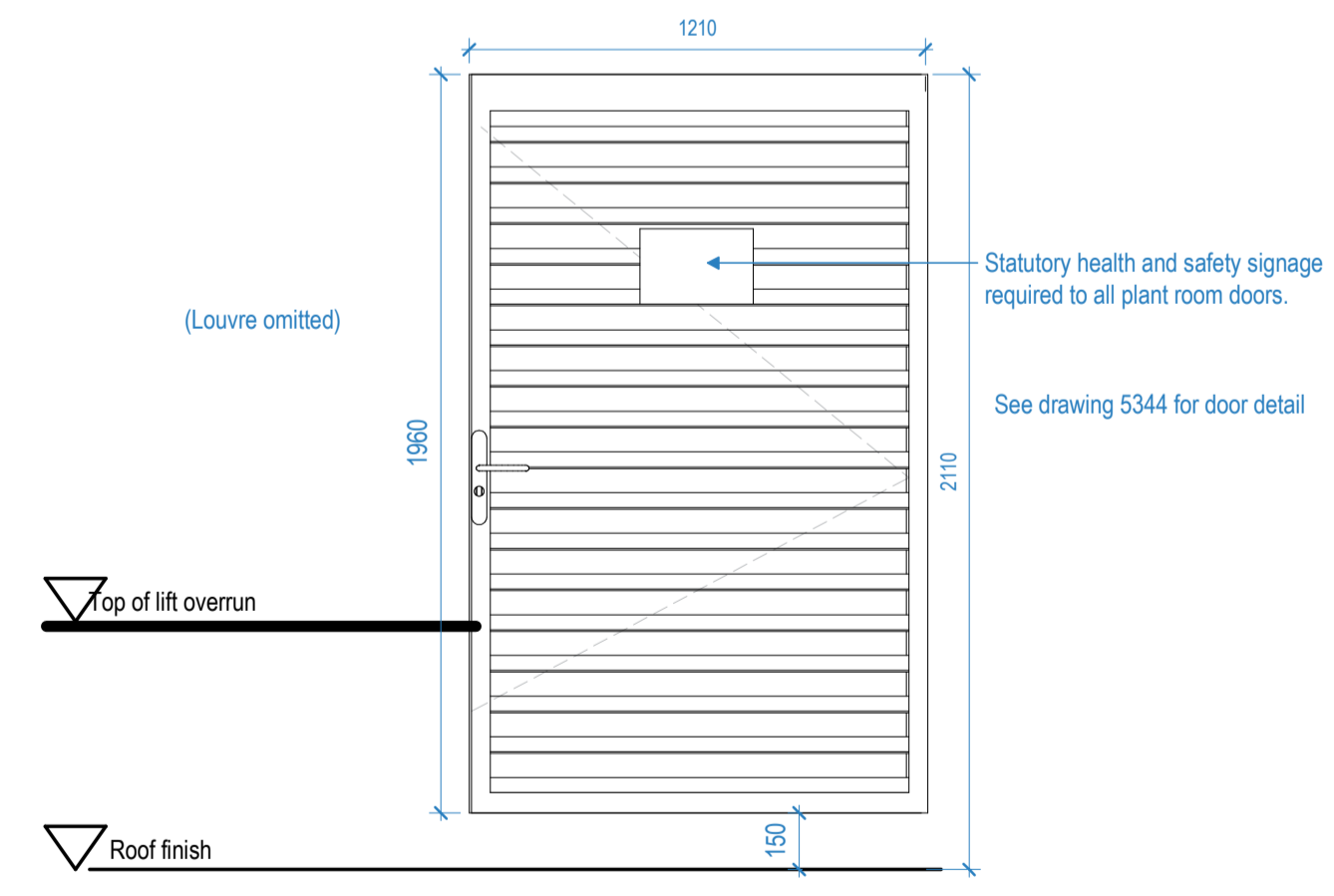
Type LP - External Lower Ground Vault



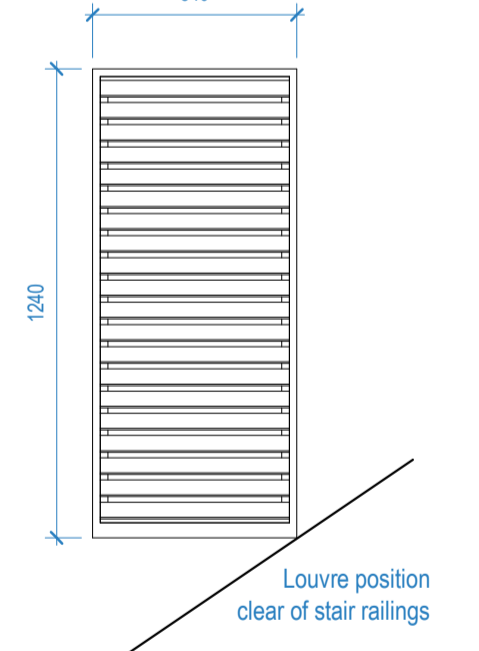
Type LQ - External Lower Ground Vault



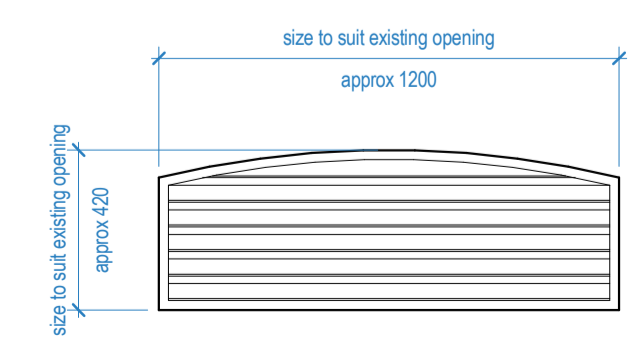
Type LR
Louvre Elevation L04001A
04 External Plant Room



Type LR
Single Door (Non-acoustic louvre)
04 External Plant Room



Type LR
Louvre Elevation LGF093
GF vent to basement



Type LR - 03 - Louvre to Gage Street

| Rev | Date | Details/ Amended by | Sign |
|-----|----------|--|------|
| C2 | 16.10.18 | Discharge of Planning Condition/ MJF | LM |
| C1 | 19.09.18 | First Construction Issue - Louvres - MJF | LM |
| A12 | 25.06.18 | REVISED STAGE 4 ISSUE / LM / MJF | LM |
| A7 | 07.02.18 | STAGE 4 SUBMISSION/ LM | AML |
| P1 | 27.11.17 | Draft Stage 4 Issue / JB | LM |
| A5 | 11.08.17 | STAGE 3 SUBMISSION / LM | AML |

sonnemanntoon
architects

Quality House
6-9 Quality Court
Chancery Lane
London WC2A 1HP
United Kingdom
Tel: +44 (0)20 7580 8881
email: info@st-arch.co.uk
web: www.st-arch.co.uk
© This drawing is copyright

Do not scale this drawing. Architect to be informed of all discrepancies in dimensions. Contractor to check all dimensions on site.

Project title
ITALIAN HOSPITAL

Drawing title
DETAILS: DOORS + LOUVRES
Louvre Elevations

Scale Status Revision
1:20 @A1 CONSTR. C2

Drawing number
1615-ST-Q1-ZZ-DR-A-5306

