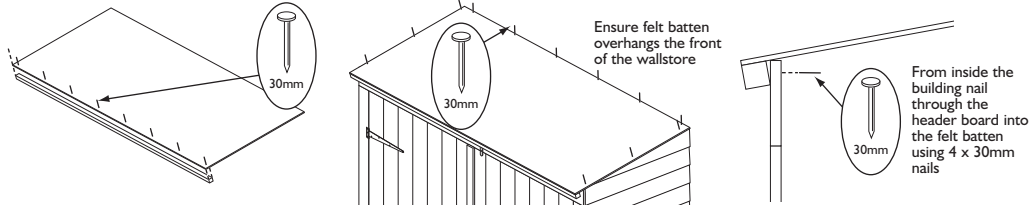


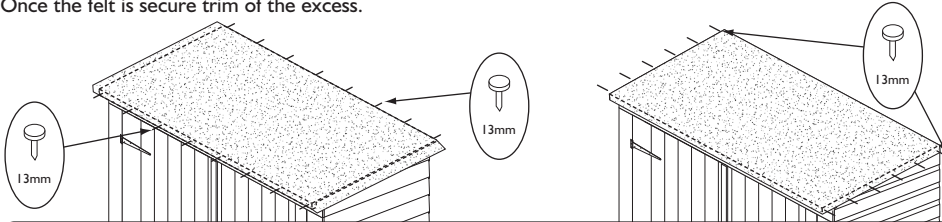
7. Roof

Secure the roof panel to the felt batten using 3 x 30mm nails per panel, ensure the roof panel is flush to the edge of the batten. Position the roof on the assembly and secure down using 12 x 30mm nails. From inside the building nail through the door header panel into the felt batten using 4 x 30mm nails.



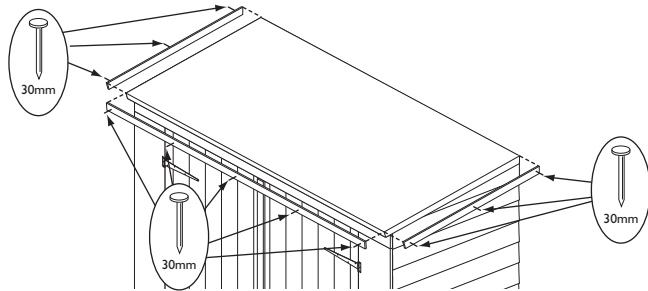
8. Roofing felt

Lay the roofing felt on the roof with an overhang all round. Fold the felt down at the front and secure using 10 x 13mm felt nails to the felt batten. Tension the felt over the roof and fold down at the back and secure to the back panel using 10 x 13mm felt nails. Dress down each end of the felt and secure to the side panels using 6 x 13mm felt nails per end. Once the felt is secure trim of the excess.



9. Bargeboards

Attach a short bargeboard to each side ensure the top and front edges are flush with the roof line and secure each board in place using 3 x 30mm nails. Attach the long bargeboard to the front of the roof make sure it is flush to the roof line use 5 x 30mm nails as shown.



Important information

Pressure treated overlap buildings require no further preservative treatment. However they can be painted or stained if required. Adequate provision must be made to ensure ground contact is avoided and air is able to circulate underneath the building. Placing the building on a concrete pad or slab base is acceptable provided that the building is not allowed to sit in pooled water during wet conditions. If the building is to sit on soil or grass it **MUST** be erected on pressure treated wooden 50mm x 50mm or similar bearers (**These are not supplied in the kit**). Rowlinson Garden Products recommend using pressure treated bearers with all buildings on any type of base.

Timber Information.

As timber is a natural material, there are certain weather conditions that may affect the materials properties. In times of excessive dry spells the material may lose some of its internal moisture causing a certain degree of shrinkage on a panel and in periods of excessive rain there will be a certain amount of swelling throughout the wooden panels. This process can not be avoided. If you have problems with certain boards shrinking in dry spells try to decrease the amount of direct sunlight on the building or the amount of air passing over the building. During hot spells spray water directly onto the panels with the aid of a garden hose.

If in doubt of any aspect regarding the assembly, use or safety of your building, please contact us

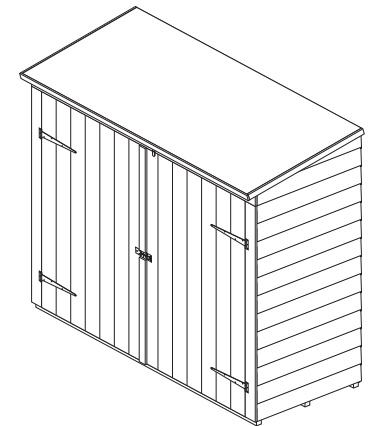
We constantly improve the quality of our products, occasionally the components may differ from the components shown and are only correct at time of printing. We reserve the right to change the specification of our products without prior notice.

Overlap Wallstore Pressure Treated English

Assembly Instructions

Before assembly

- We recommend that time is taken to read the instructions before starting assembly, then follow the easy step by step guide. The instruction sheet is only a guide to the assembly. Certain items may not be shown to scale.
- Check all components prior to assembly
- This product should be assembled by no less than two people
- Drill all components where indicated

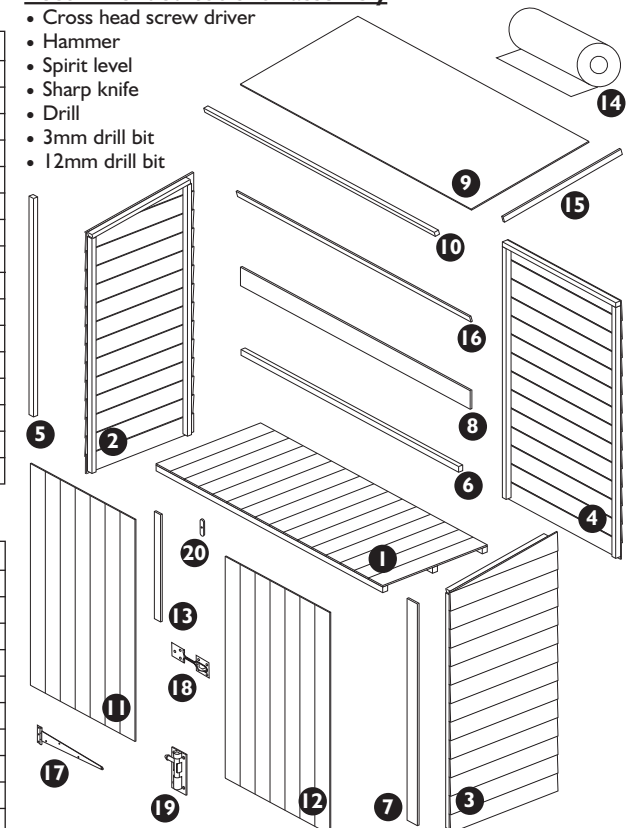


Recommended tools for assembly

- Cross head screw driver
- Hammer
- Spirit level
- Sharp knife
- Drill
- 3mm drill bit
- 12mm drill bit

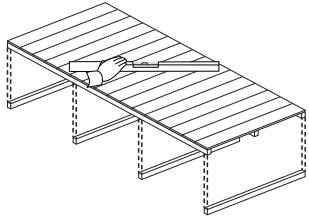
No.	Components	Qty.
1	Floor	1
2	Left side panel	1
3	Right side panel	1
4	Back panel	2
5	Door frame uprights (29x45x1345mm)	2
6	Door header rail (29x35x1690mm)	1
7	Front panel coverstrip (92x12x1365mm)	2
8	Door header board (110x12x1795mm)	1
9	Roof panel	1
10	Felt batten (29 x 29 x 1795mm)	1
11	Left-hand door	1
12	Right-hand door	1
13	Door weatherstrip (40 x 12 x 660mm)	2
14	Roofing felt (2m)	1
15	Side bargeboard (40x12x830mm)	2
16	Front bargeboard (40x12x1830mm)	1

No.	Fixing kit	Qty.
17	T-hinges	4
18	Hasp and staple	1
19	Tower bolts	2
20	Turn button	1
21	50mm screws	17
22	25mm screws	47
23	20mm screws	7
24	19mm roundhead screws	17
25	30mm nails	47
26	13mm felt nails	30



1. Floor section

Prepare a level area for the wallstore to sit and position the floor panel.



Important note

To "VALIDATE" the guarantee, adequate provision must be made to ensure ground contact is avoided and air is able to circulate underneath the building.

Placing the building on a concrete pad or slab base is acceptable provided that the building is not allowed to sit in pooled water during wet conditions.

If the building is to sit on soil or grass it **MUST** be erected on pressure treated wooden 50mm x 50mm or similar bearers (**These are not supplied in the kit**).

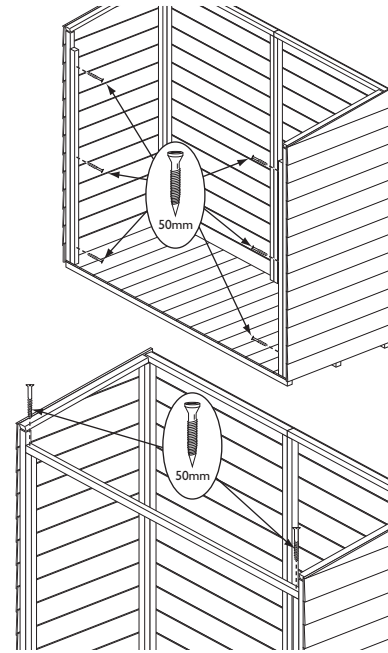
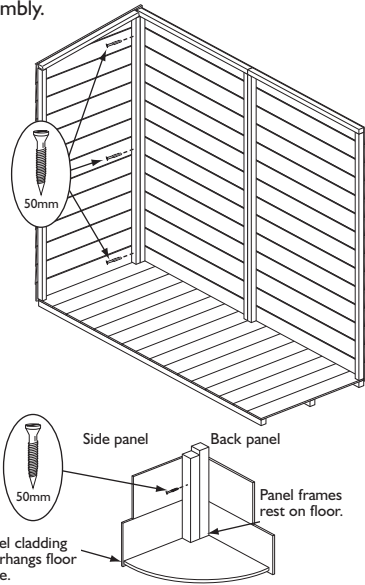
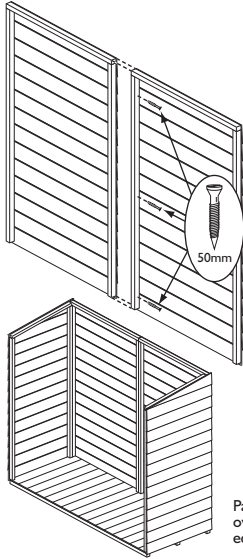
Rowlinson Garden Products recommend using pressure treated bearers with all buildings on any type of base.

2. Wall panels

Secure the two back panels together as shown using 3 x 50mm screws. Position the back panel and the left side panel on the floor. Note how the panel frames sit on the floor with the panel cladding overhanging the floor edge. Ensure square and secure using 3 x 50mm screws, screw through the frame of the side panel, into the frame of the back panel. Repeat for other side panel. Secure the door frame uprights to the framing of the side panels as shown using 3 x 50mm screws per upright. Position the door header rail on top of the door frame uprights and secure using 1 x 50mm screw at each end. Screw down through the header rail into the ends of the uprights.

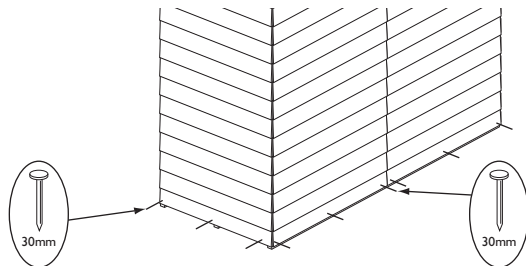


It is recommended to drill pilot holes for the screws with a 3mm drill bit before assembly.



3. Securing the panels to the floor

From the outside of the assembly secure the panels to the floor using 3 x 30mm nails per panel, nail through the panel overhang into the floor.

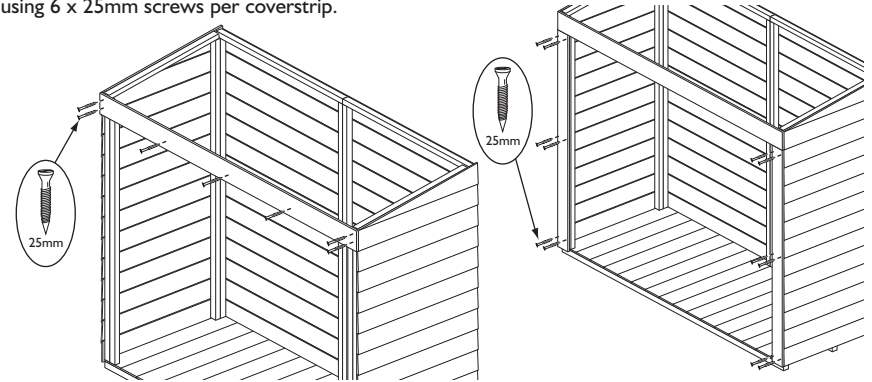


4. Front paneling

Fit the door header board to the front of the assembly, ensure that it is flush to the top of the side panels and secure using 7 x 25mm screws. Attach the front coverstrips underneath the header board and flush to the outer edge of the side panels. Secure using 6 x 25mm screws per coverstrip.

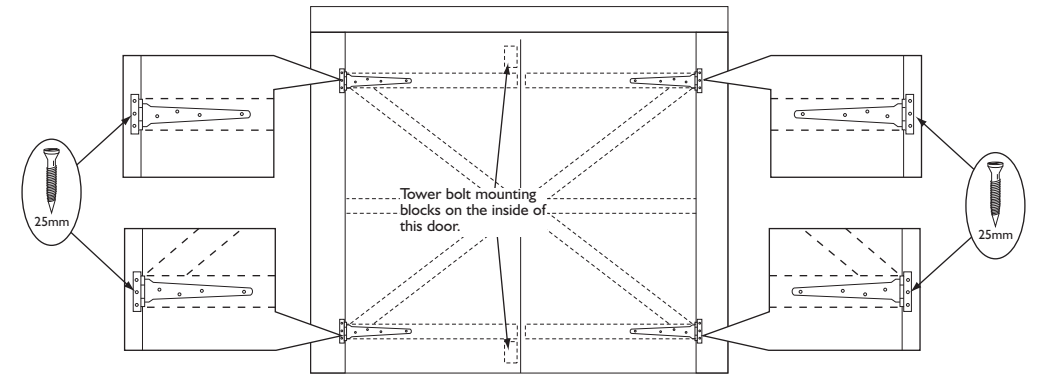


It is recommended to drill pilot holes for the screws with a 3mm drill bit before assembly.



5. Doors

Lay the assembly on its back. Place the doors in the door opening, ensure they are sitting centrally. Note the inside of the left door has the two pre-fitted block for the tower bolts. With the doors in place align the hinges to the door bracing and secure to the door and the front panels using 7 x 25mm screws per hinge.



6. Door fittings

Secure the tower bolts to the mounting blocks using 4 x 19mm roundhead screws per bolt. With the doors shut, position a door coverstrip so it overlaps both doors and is flush at the top of the doors, secure only to right-hand door using 3 x 20mm screws. In the same way fix the other door coverstrip flush to the bottom of the door using 3 x 20mm screws. Fit the hasp and staple between the two coverstrips using 7 x 19mm screws as shown below.

