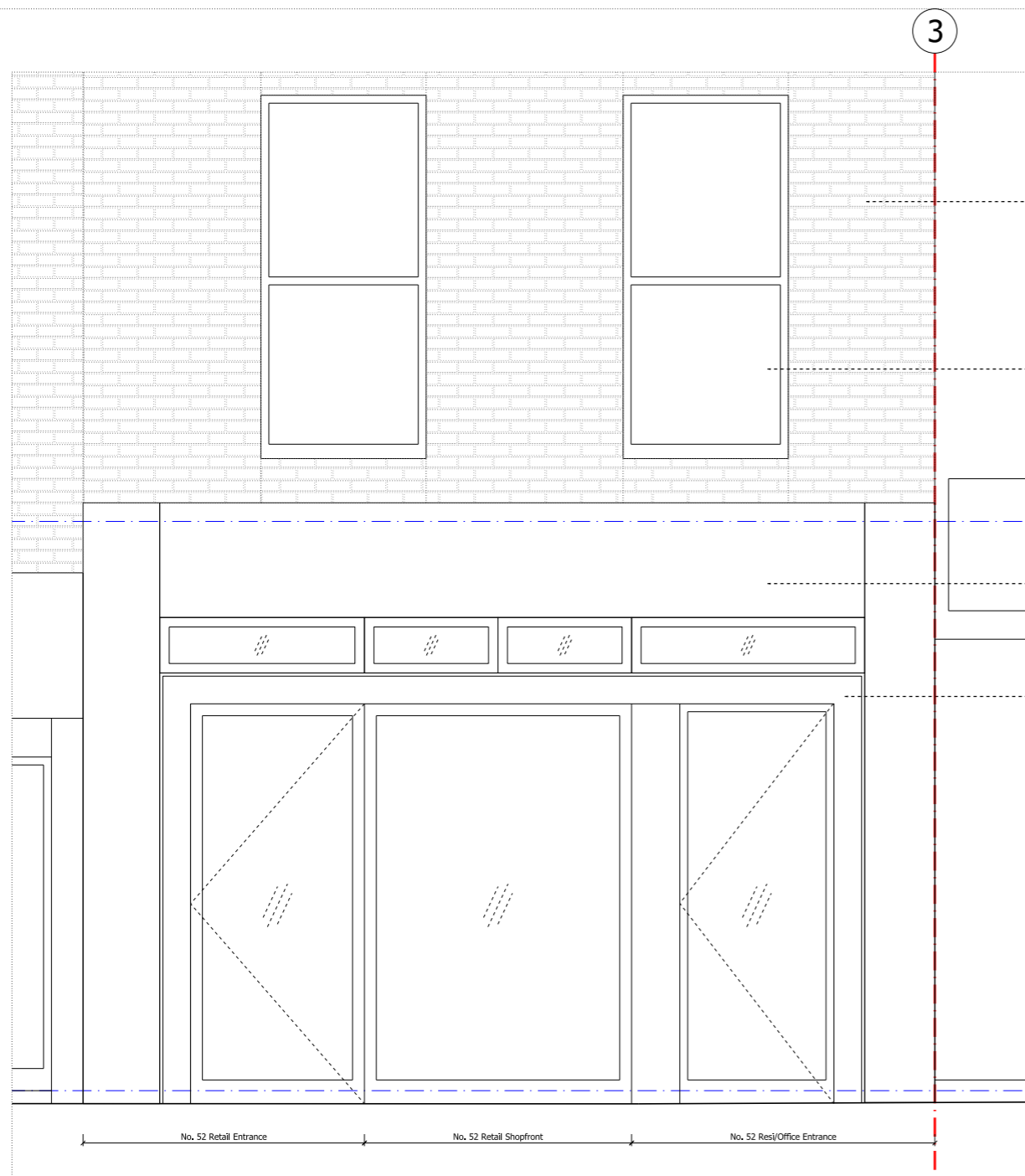
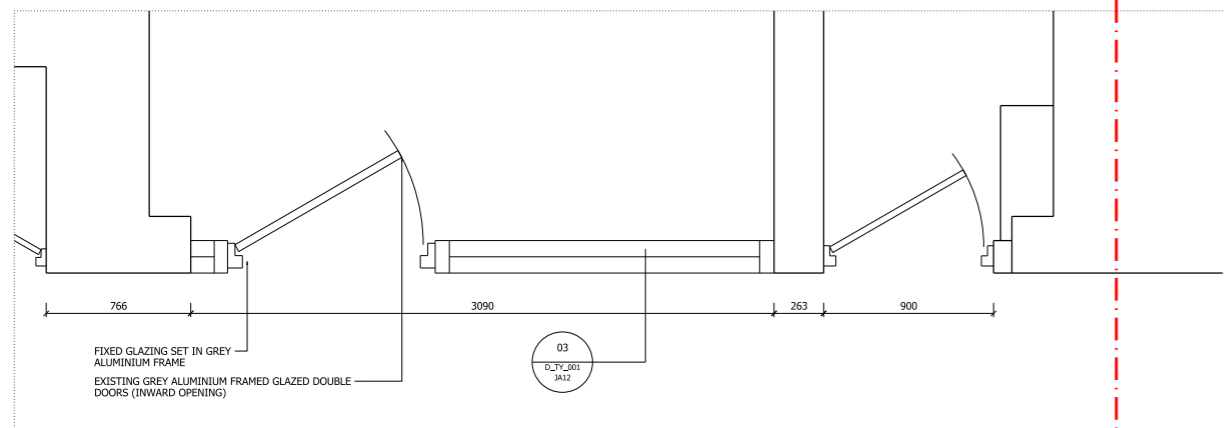


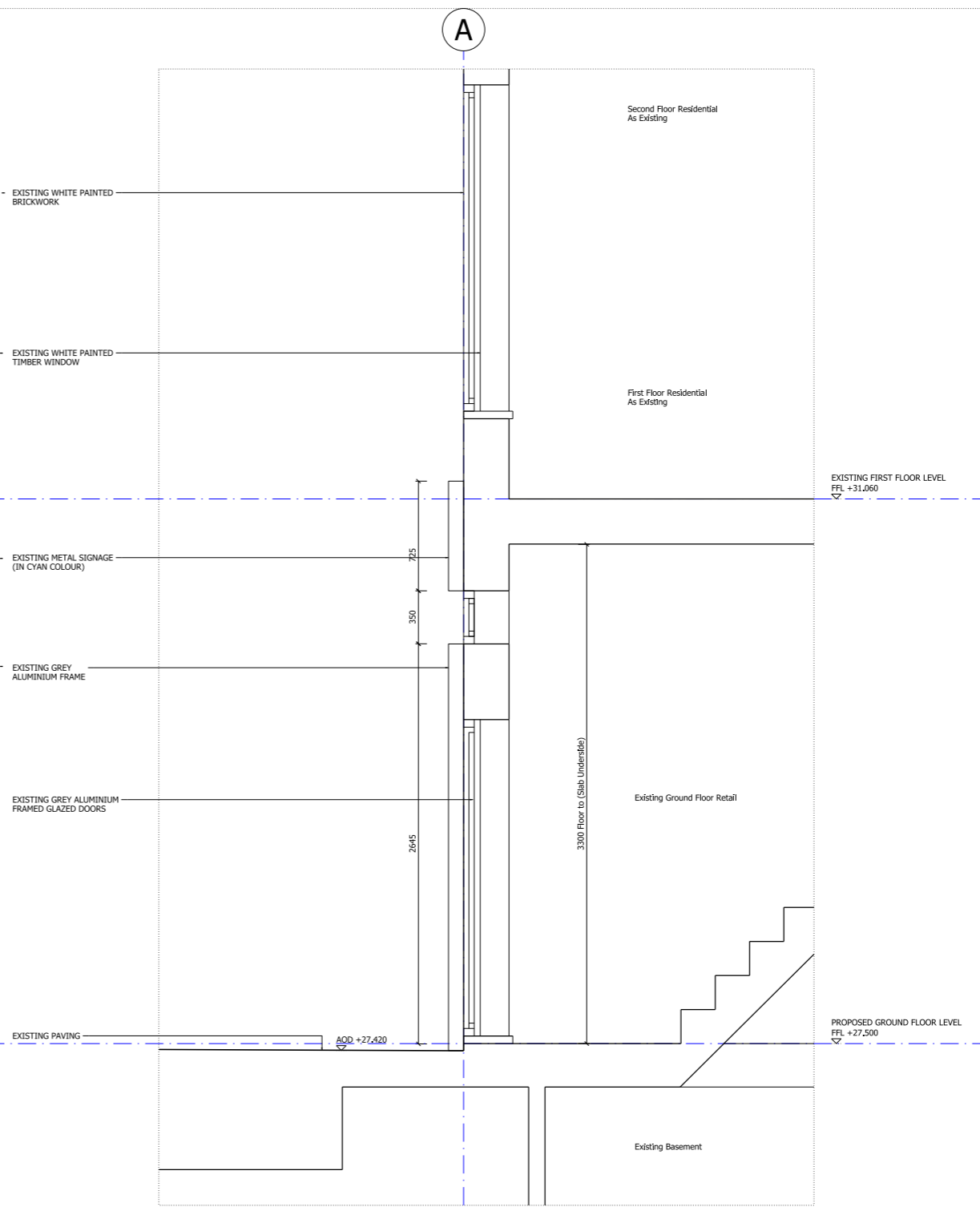
NOTES:
 DO NOT SCALE FROM THIS DRAWING.
 ALL DIMENSIONS TO BE CHECKED ON SITE.
 ALL OMISSIONS AND DISCREPANCIES TO BE REPORTED TO THE ARCHITECT IMMEDIATELY.
 ALL RIGHTS RESERVED. THIS WORK IS COPYRIGHT AND CANNOT BE REPRODUCED OR COPIED OR MODIFIED IN ANY FORM OR BY ANY MEANS, GRAPHIC ELECTRONIC OR MECHANICAL, INCLUDING PHOTOCOPYING WITHOUT THE WRITTEN PERMISSION OF SQUIRE AND PARTNERS ARCHITECTS.



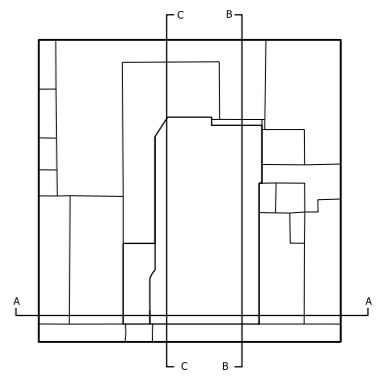
01 No.52 Shopfront Elevation
 C645_E_N_3



02 Detailed Plan
 C645_TY_1



03 Detailed Section Through No.52 Shopfront
 C645_D_TY_1



| | | | |
|----------------------|----------|-------|-----|
| Issued for Planning | 03/10/18 | GH | - |
| Revision description | Date | Check | Rev |

SQUIRE & PARTNERS
 77 Wicklow Street London WC1X 9JY
 T: 020 7278 5555 F: 020 7239 0495
 info@squireandpartners.com
 www.squireandpartners.com

Project
**51-52 Tottenham Court Road,
 London. W1T**

Drawing
**Shop Front Detail
 Existing
 52 Tottenham Court Road**

| | | |
|------------|----------------|-------------------|
| Drawn | Date | Scale |
| JKL | 01/10/2018 | 1:20@A1 1:4@A3 |
| Job number | Drawing number | Revision |
| 13081 | JA12_D_TY_002 | - |