







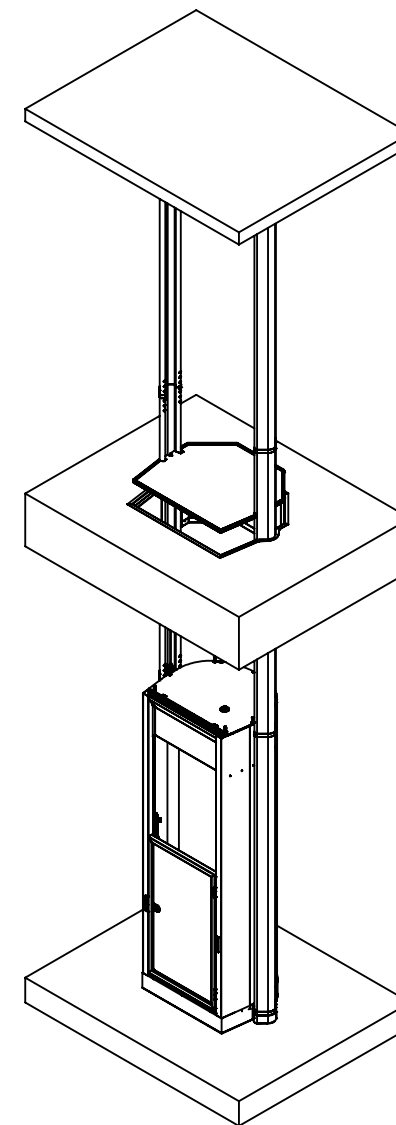
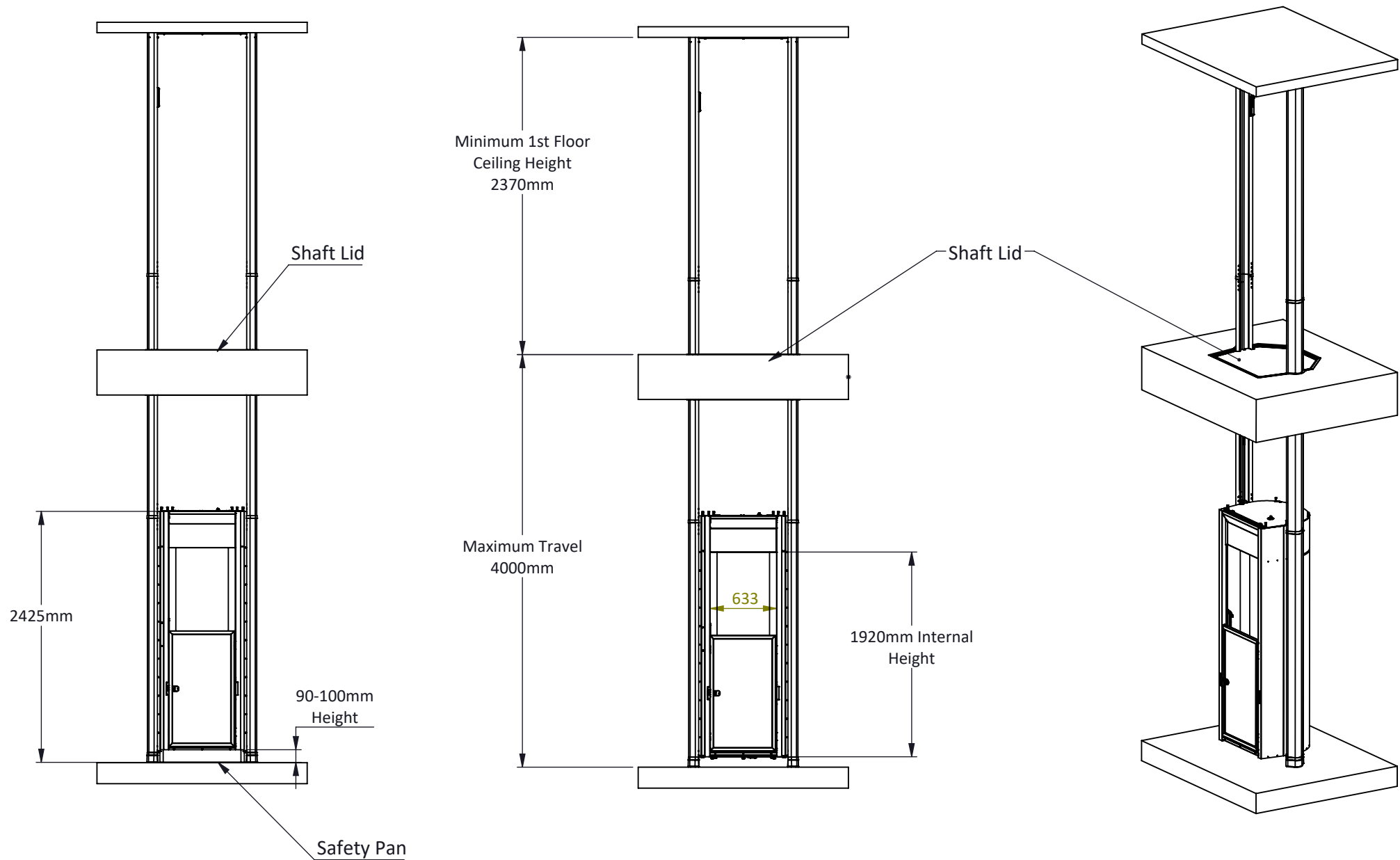


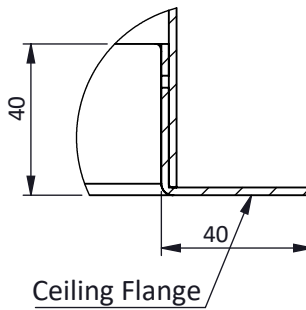
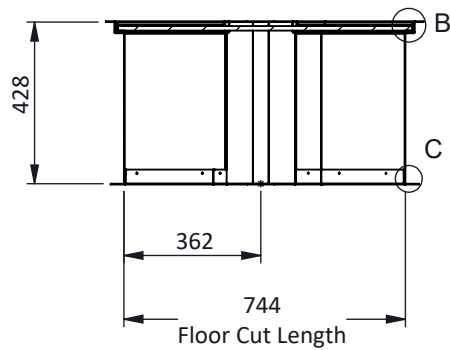
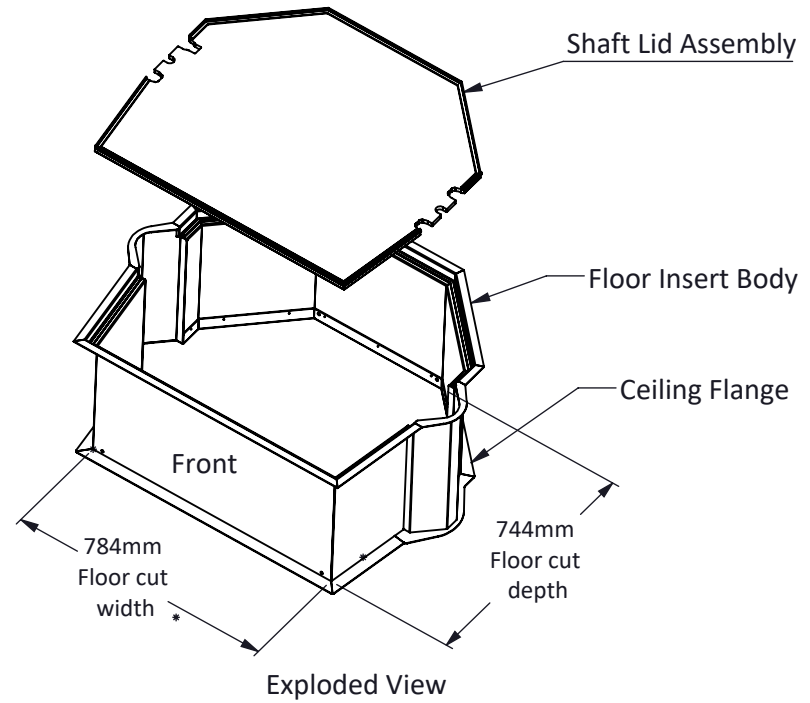
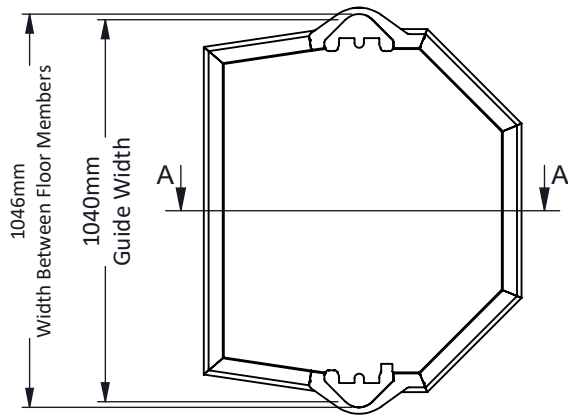
Technical Information

The Duo

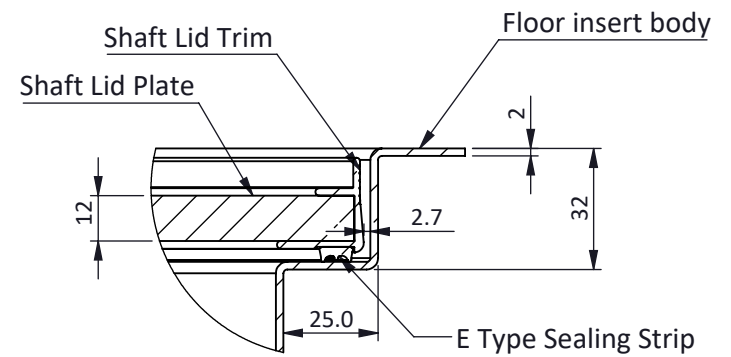
-  **DRIVE SYSTEM:**
Roped Drum, Braked Gear Motor Drive
-  **CAPACITY:**
MAX Capacity 170kg / 2persons
-  **TRAVEL:**
Up to 4000mm
-  **NO of FLOORS:**
2 Maximum
-  **SUPPLY VOLTAGE:**
240v 1PH 50HZ
-  **RUNNING CURRENT:**
2.5 AMP
-  **STARTING CURRENT:**
3.5 AMP
-  **STANDARD COLOUR:**
Off White / Cream (RAL 9003)
(Other colours available)







DETAIL C



DETAIL B

