

Photovoltaic module HIT[®] VBHN295SJ46

Only 1.46 m tall

More power on your roof thanks to best fit in portrait due to shorter module length and less space between module rows on flat roofs.



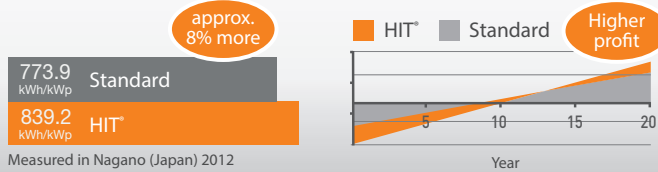
100% Panasonic, 100% HIT[®]

Proudly featuring Panasonic's original invention, the heterojunction solar cell. With over 1 billion cells produced commercially over 20 years, 25 years after the breakthrough in the development and looking back to over 40 years of experience in solar, Panasonic really offers you a 25-year guarantee you can trust.



More energy, higher profit!

Helping you reach a higher final profit with your PV system!



295W

High Efficiency

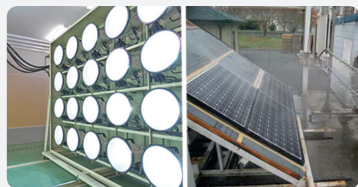
High Performance
at High Temperatures

High Power
Generation

QUALITY PROVEN 4 WAYS

1 Guaranteed by Panasonic

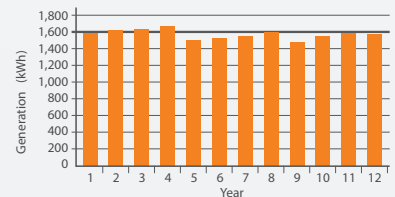
- IEC and over 20 Panasonic internal tests
- Vertically integrated own manufacturing (wafer, cell and module)



3 Less degradation on the field

12 years actual data prove a reliable and stable performance.

Installation: March 2004
Location: Gloucestershire, UK
Model: HIP-180BE
System size: 1.80 kWp
Tilt: 40 deg.
Direction: South-West



2 Record low claim rate

Less than 0.0035% failure rate after more than 10 years experience in Europe (as of January 2017)

4 3rd party verified

- Lifecycle testing (Long-Term-Sequential-Test) by TÜV Rheinland (tested on VBHN240SE10)
- PID-free (tested by Fraunhofer Institute)

HIT[®] is a registered trademark of Panasonic Group.

Electrical data (at STC)

VBHN295SJ46

Max. power (Pmax) [W]	295
Voltage at Max. Power (Vmp)(V)	52.7
Current at Max. Power (Imp)(A)	5.60
Open circuit voltage (Voc) [V]	63.7
Short circuit current (Isc) [A]	6.00
Max. over current rating [A]	15
Power tolerance [%] *	+10/-0
Max. system voltage [V]	1000
Solar panel efficiency (%)	19.1

Note: Standard Test Conditions: Air mass 1.5; Irradiance = 1000W/m²; cell temp. 25°C
* Maximum power at delivery. For guarantee conditions, please check our guarantee document

Temperature characteristics

Temperature (NOCT) [°C]	44.0
Temp. coefficient of Pmax [%/°C]	-0.258
Temp. coefficient of Voc [V/°C]	-0.150
Temp. coefficient of Isc [mA/°C]	3.30

At NOCT (Normal Operating Conditions)

Max. power (Pmax) [W]	225.8
Max. power voltage (Vmp) [V]	50.9
Max. power current (Imp) [A]	4.50
Open circuit voltage (Voc) [V]	60.4
Short circuit current (Isc) [A]	4.85

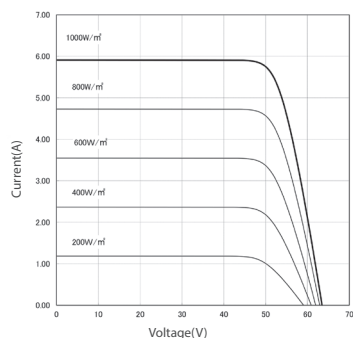
Note: Normal Operating Cell Temp.: Air mass 1.5; Irradiance = 800W/m²; Air temperature 20°C; wind speed 1 m/s

At low irradiance (20%)

Max. power (Pmax) [W]	56.8
Max. power voltage (Vmp) [V]	51.5
Max. power current (Imp) [A]	1.11
Open circuit voltage (Voc) [V]	59.7
Short circuit current (Isc) [A]	1.20

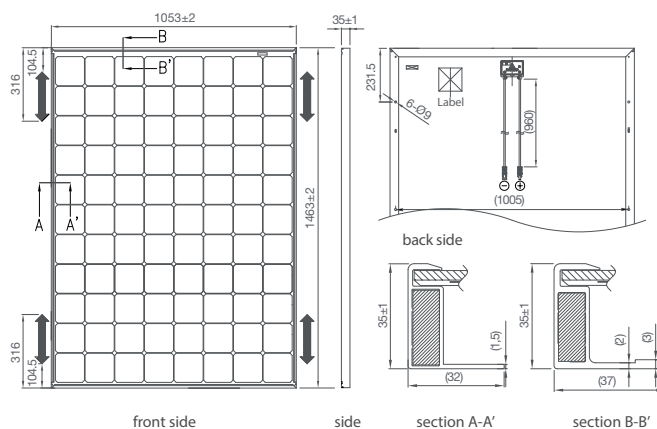
Note: Low irradiance: Air mass 1.5; Irradiance = 200W/m²; cell temp. = 25°C

Dependence on irradiance



Reference data for model
VBHN295SJ46
(Cell temperature: 25°C)

Dimensions and weight



Fixing span must be between 836-1200 mm

weight: 18 kg
weight/m²: 11.7 kg/m²
unit: mm
snow and wind load: 2400 Pa

Guarantee

Power output: 10 years (90% of Pmin)
25 years (80% of Pmin)
Product workmanship: 25 years (registration necessary on www.eu-solar.panasonic.net, otherwise 15 years apply based on guarantee document)

Materials

Cell material: 5 inch photovoltaic cells
Glass material: AR coated tempered glass
Frame materials: Black anodized aluminium
Connectors type: SMK

Certificates



CLASS UNO
By TÜV Rheinland
UNI 8457
UNI 9174
UNI 9177

IEC61215
IEC61730-1
IEC61730-2



Please consult your local dealer for more information

CAUTION! Please read the installation manual carefully before using the products.

Used electrical and electronic products must not be mixed with general household waste. For proper treatment, recovery and recycling of old products, please take them to applicable collection points in accordance with your national legislation.



Panasonic Eco Solutions Europe
Panasonic Electric Works Europe AG

Robert-Koch-Straße 100,
85521 Ottobrunn, Germany
Tel. +49 89 45354-1000
Fax +49 89 45354-2111
info.solar@eu.panasonic.com

All Rights Reserved © 2015 COPYRIGHT Panasonic Electric Works Europe AG
Specifications are subject to change without notice.

05/2017