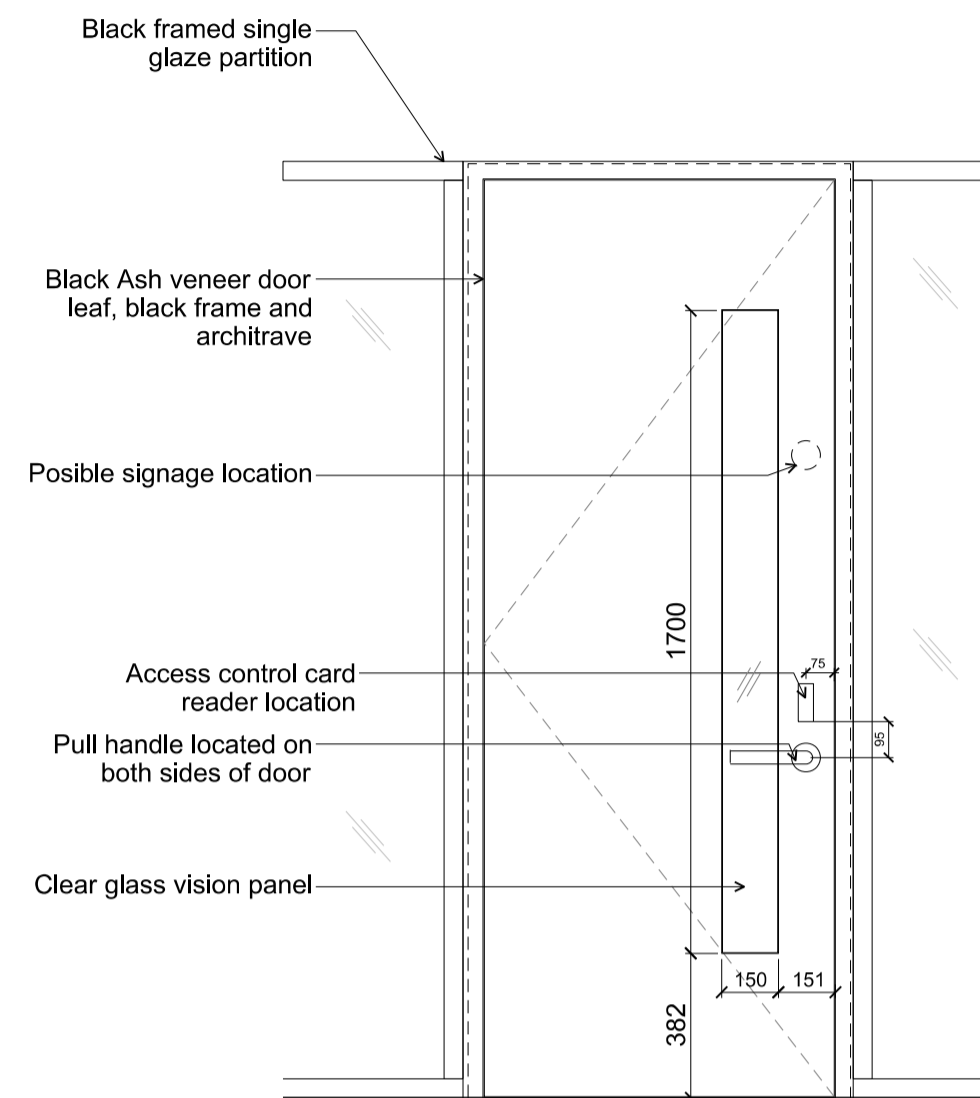


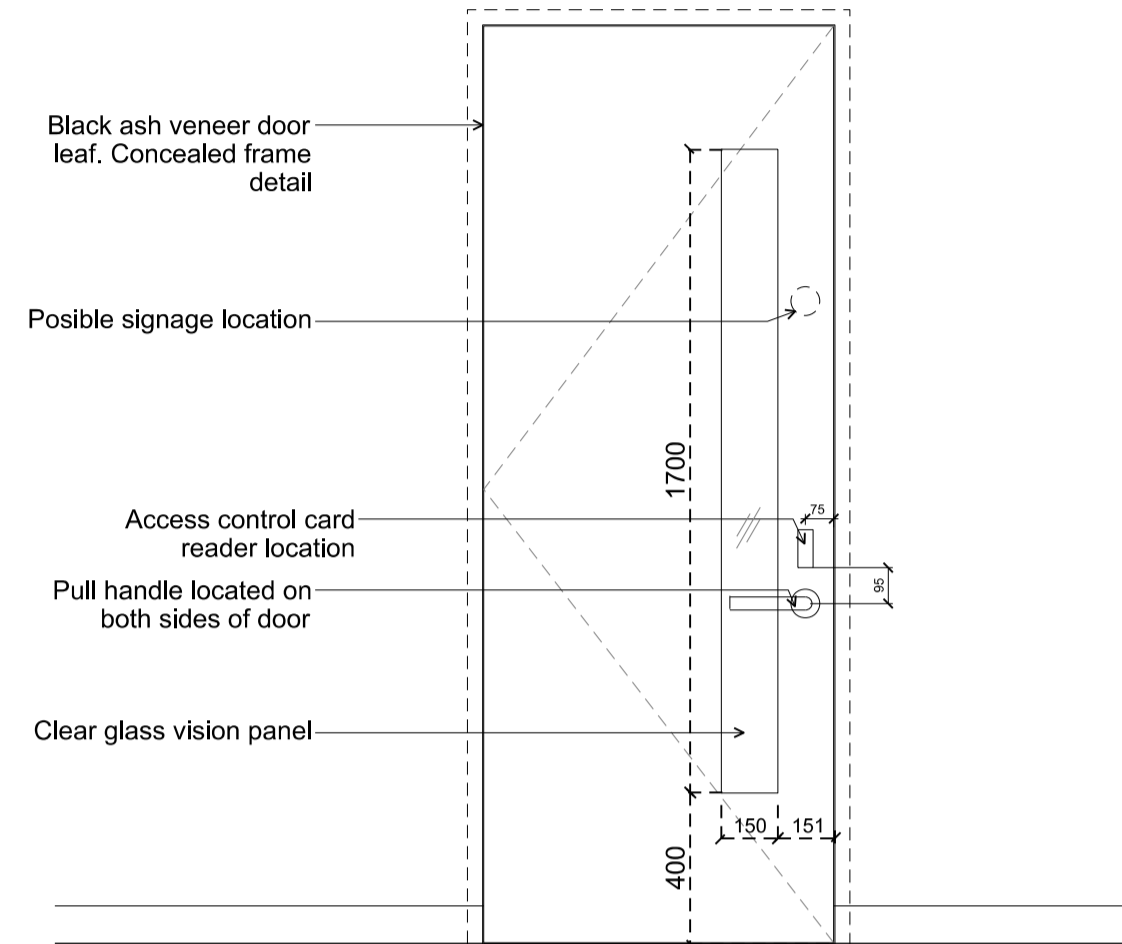
DO NOT SCALE THIS DRAWING

Contractors are to check all dimensions prior to commencement on site and notify the architect of any errors, omissions, or discrepancies.

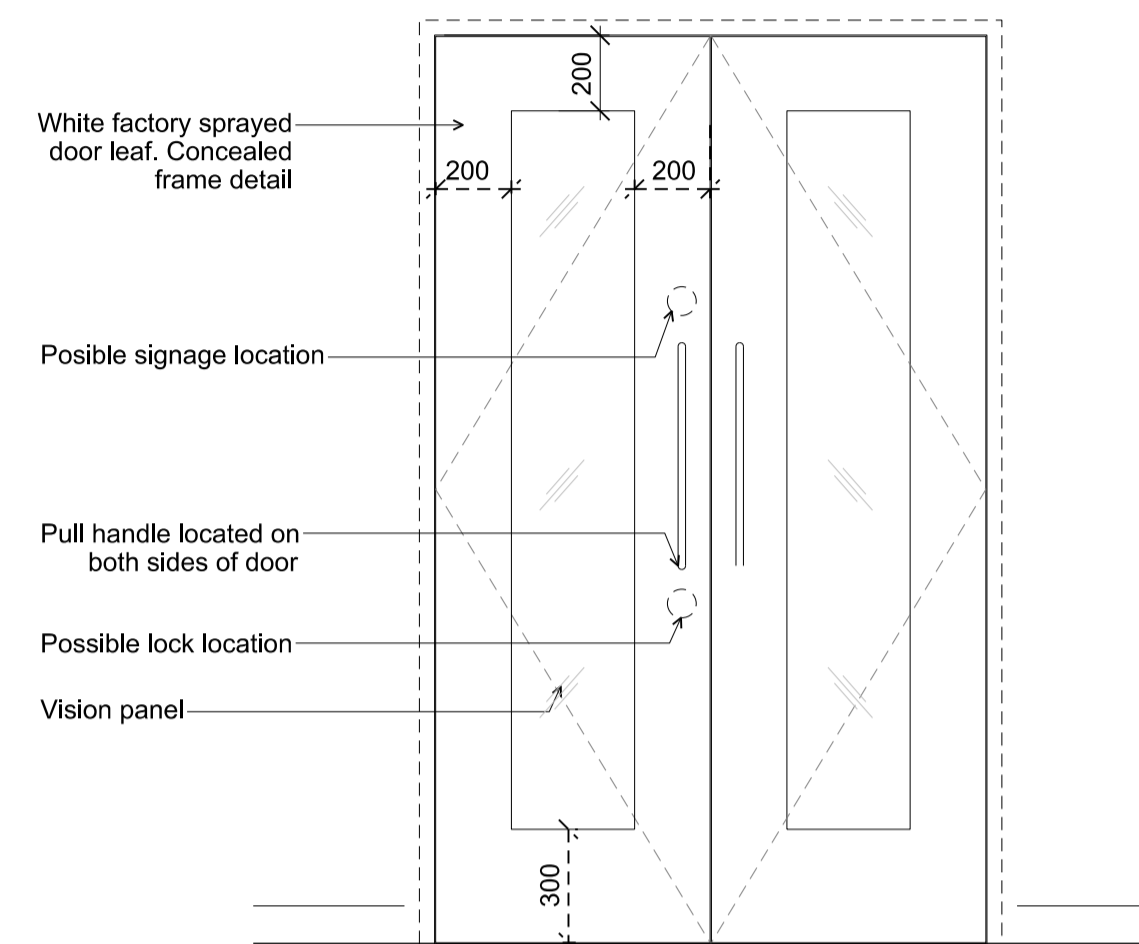
TateHindle Limited retain copyright of this drawing. It may not be copied, altered or reproduced in any way without their written authority.



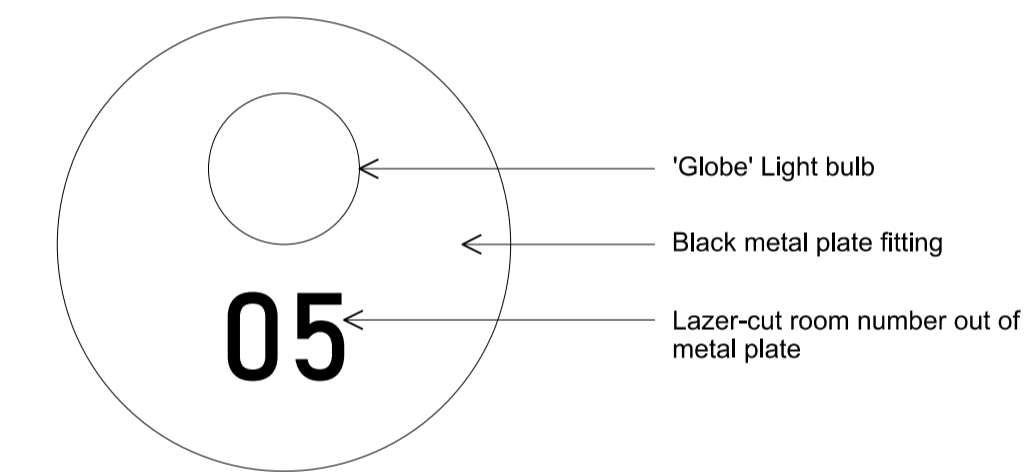
TYPE 1A
OFFICE GENERAL ACCESS DOOR
Glazed meeting rooms and offices
Black ash veneer doors with stainless steel ironmongery



TYPE 1B
OFFICE GENERAL ACCESS DOOR
Meeting rooms and offices
Black ash veneer doors with stainless steel ironmongery



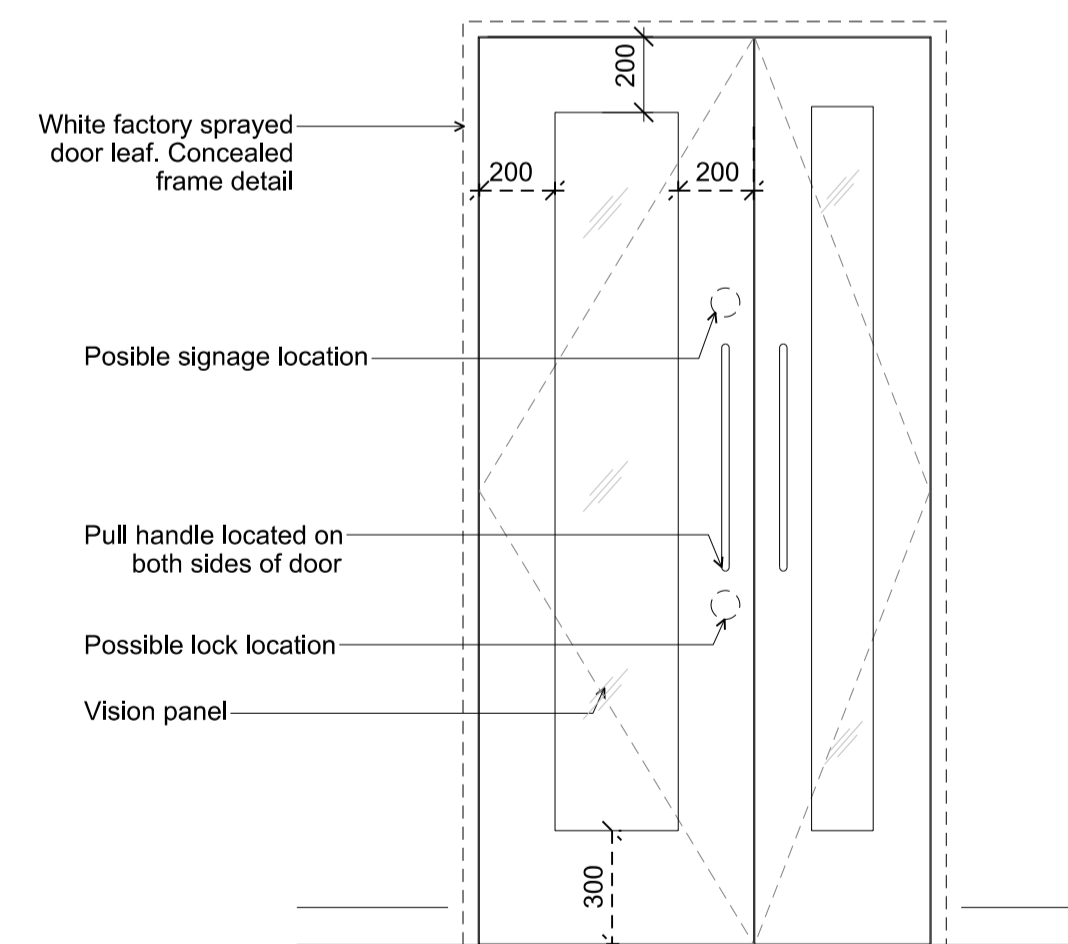
TYPE 2
LOBBY ACCESS
White factory sprayed doors with black ironmongery



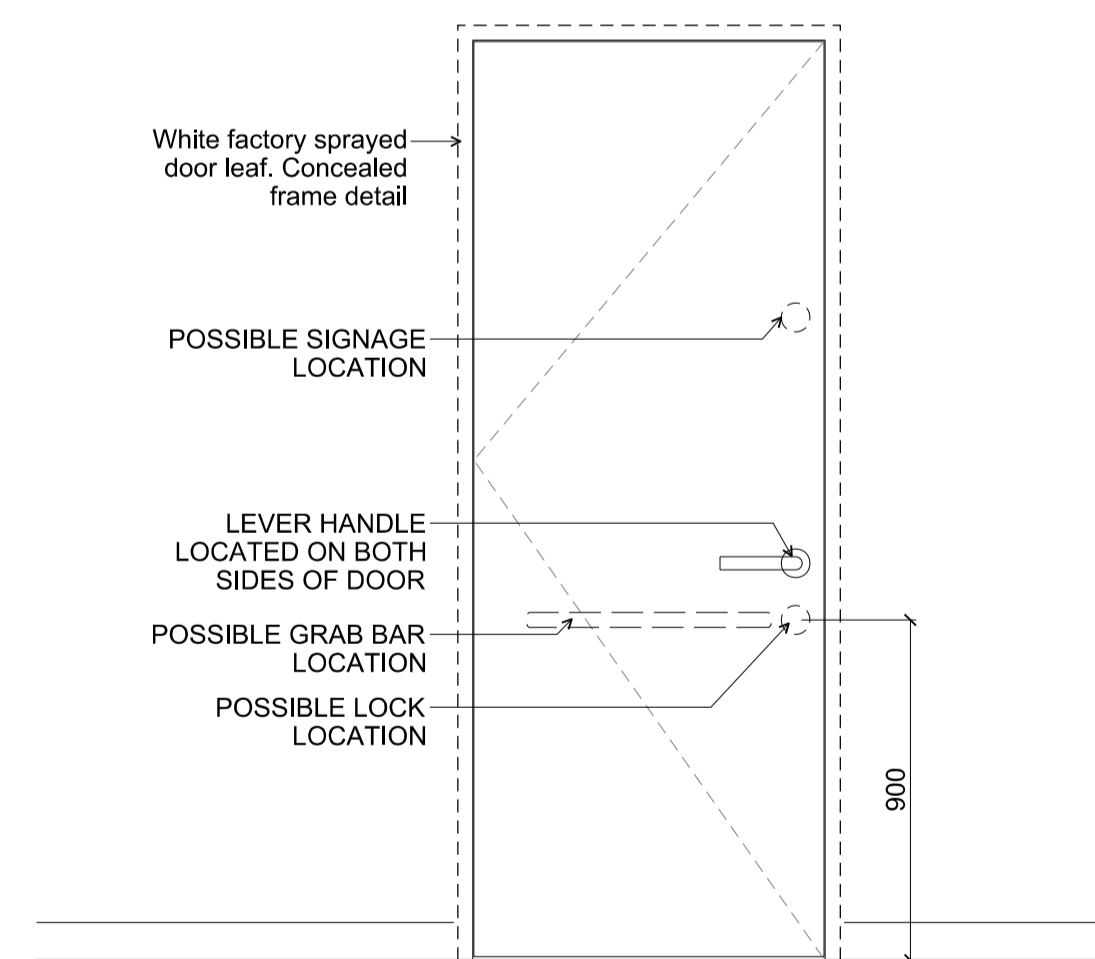
SIGN DETAIL @ 1:5

NOTE:

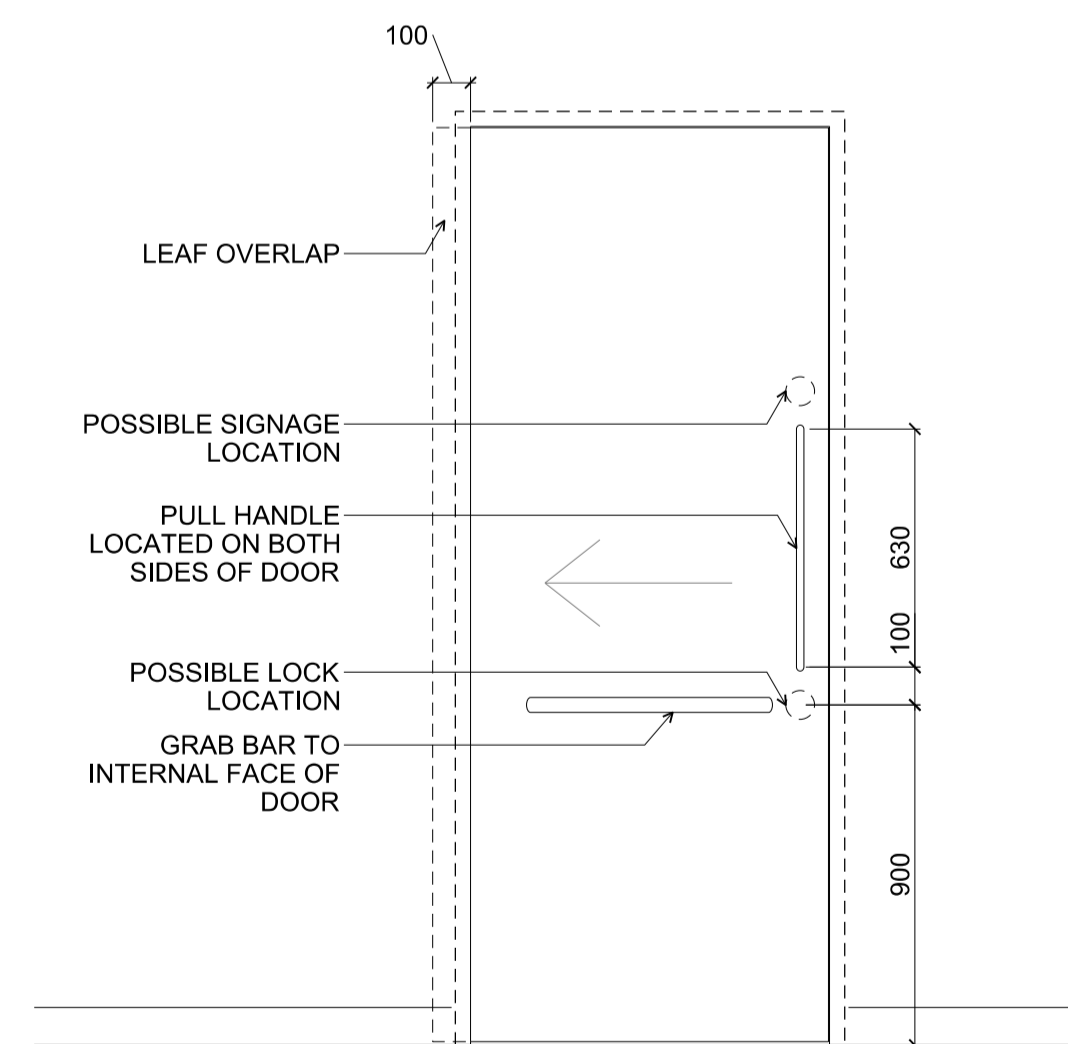
EVERY OFFICE / MEETING ROOM TO HAVE LIGHT SIGN AS DETAIL SHOWN, WITH THE EXCEPTION OF GLASS OFFICES AND MEETING ROOMS ONLY WHERE THERE IS NO LOCATION FOR A LIGHT SIGN. THESE ROOMS TO HAVE VINYL APPLIED ROOM SIGNAGE TO THE DOOR LEAF. LOCATIONS TO BE AGREED WITH ARCHITECT.



TYPE 3
LOBBY ACCESS
White factory sprayed doors with black ironmongery



TYPE 4
WC DOOR / STORE ROOM DOOR
White factory sprayed doors with black ironmongery



TYPE 5
POCKET DOOR SINGLE LEAF - ACCESSIBLE WC
White factory sprayed doors with black ironmongery

Rev	Description	Date	Drawn	Checked
01	Stage 3 Issue	14-09-18	HEG	SB
00	Stage 3 Draft Issue	10-08-18	HEG	SB

Status

FOR INFORMATION

Client

LABs Holborn

Project

LABs Sicilian Avenue and Vernon House Holborn, London

Drawing

PROPOSED TYPICAL INTERNAL DOOR DETAIL ELEVATIONS

Scale	Drawn	Date	Checked
1:10@A1	HEG	11-06-18	SB

Project no.	Dwg	Revision
15166	A(32)001	01

tatehindle

TateHindle Limited
1 Lindsey Street
Smithfield
London EC1A 9HP
T 020 7332 4850
mail@tatehindle.co.uk
www.tatehindle.co.uk