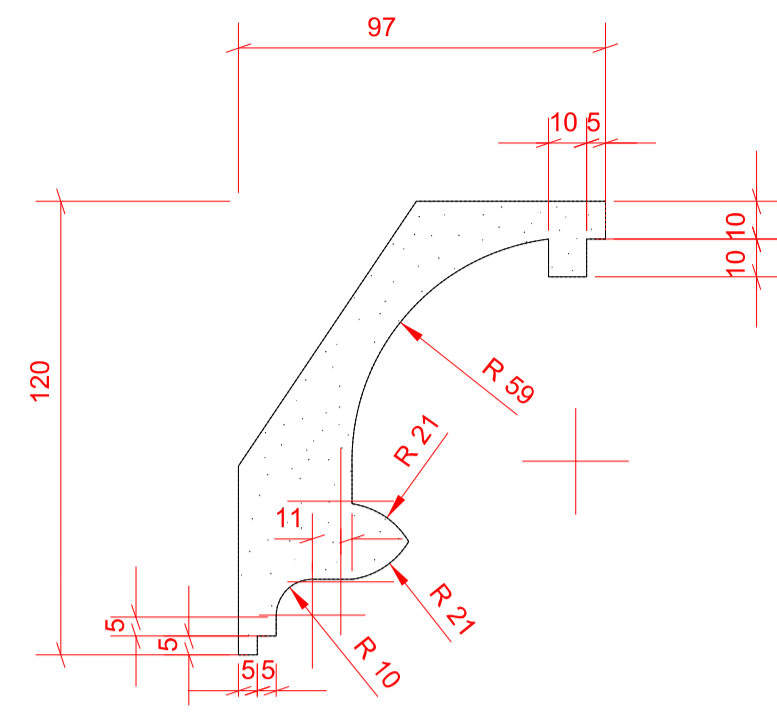
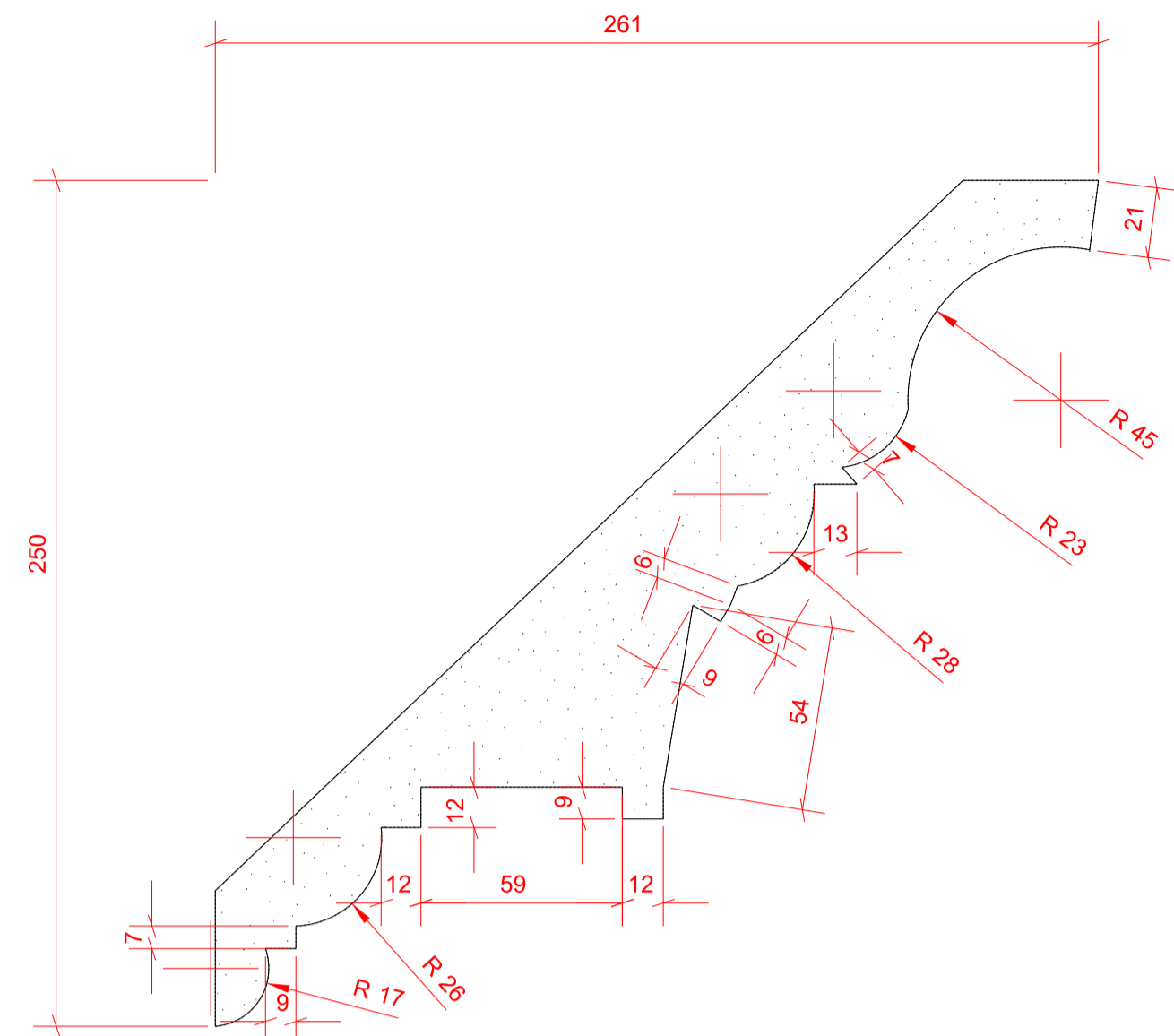


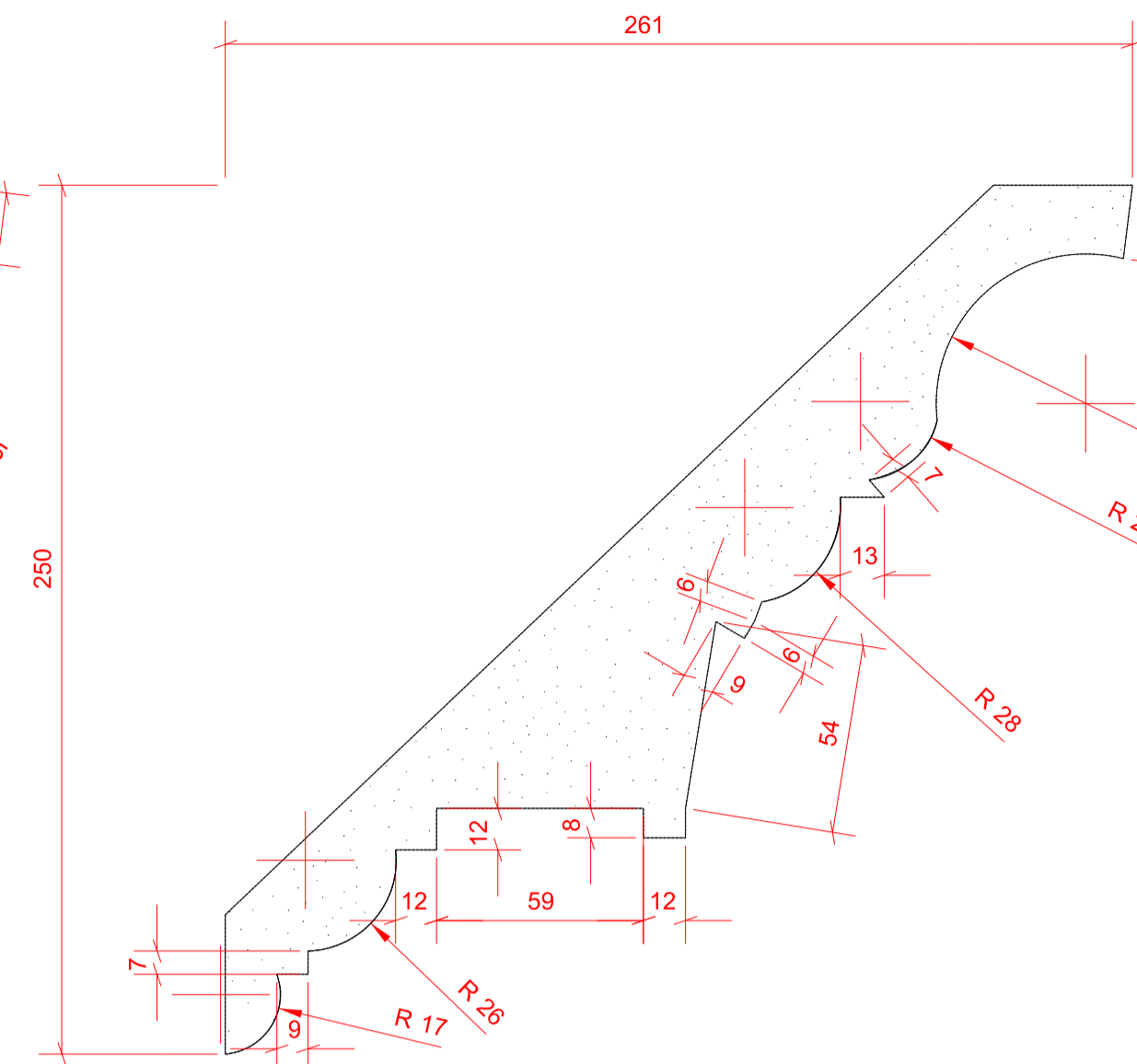
**CORNICE PROFILES  
TO BE SOLID TIMBER**



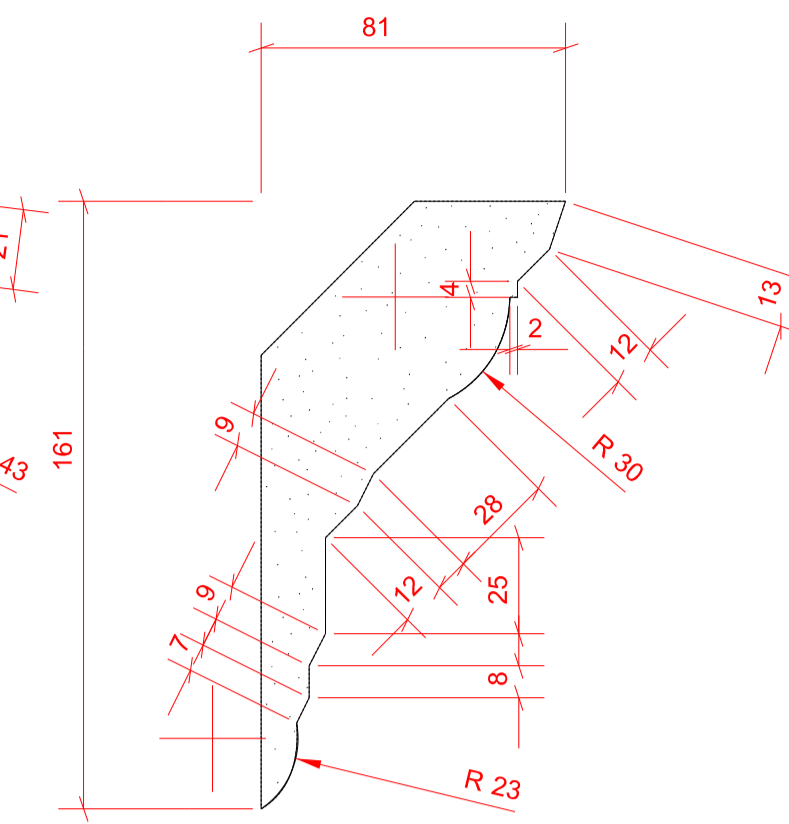
**CORNICE TYPE J**  
Existing cornice profile  
r3.02  
New cornice to match existing profile  
r3.03, r3.04 scale 1:2



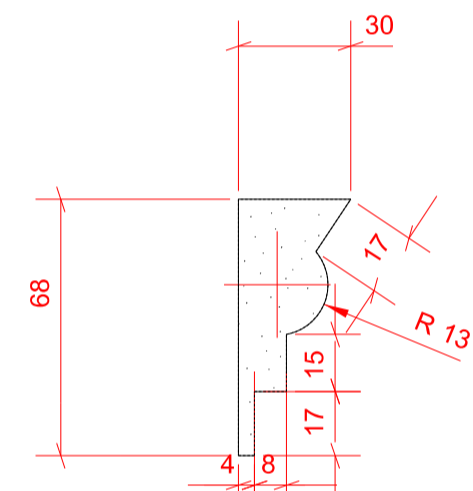
**CORNICE TYPE G**  
Existing cornice profile  
r2.02, r2.03, r2.04  
New cornice to match existing profile  
r2.02, r2.03, r2.04 scale 1:2



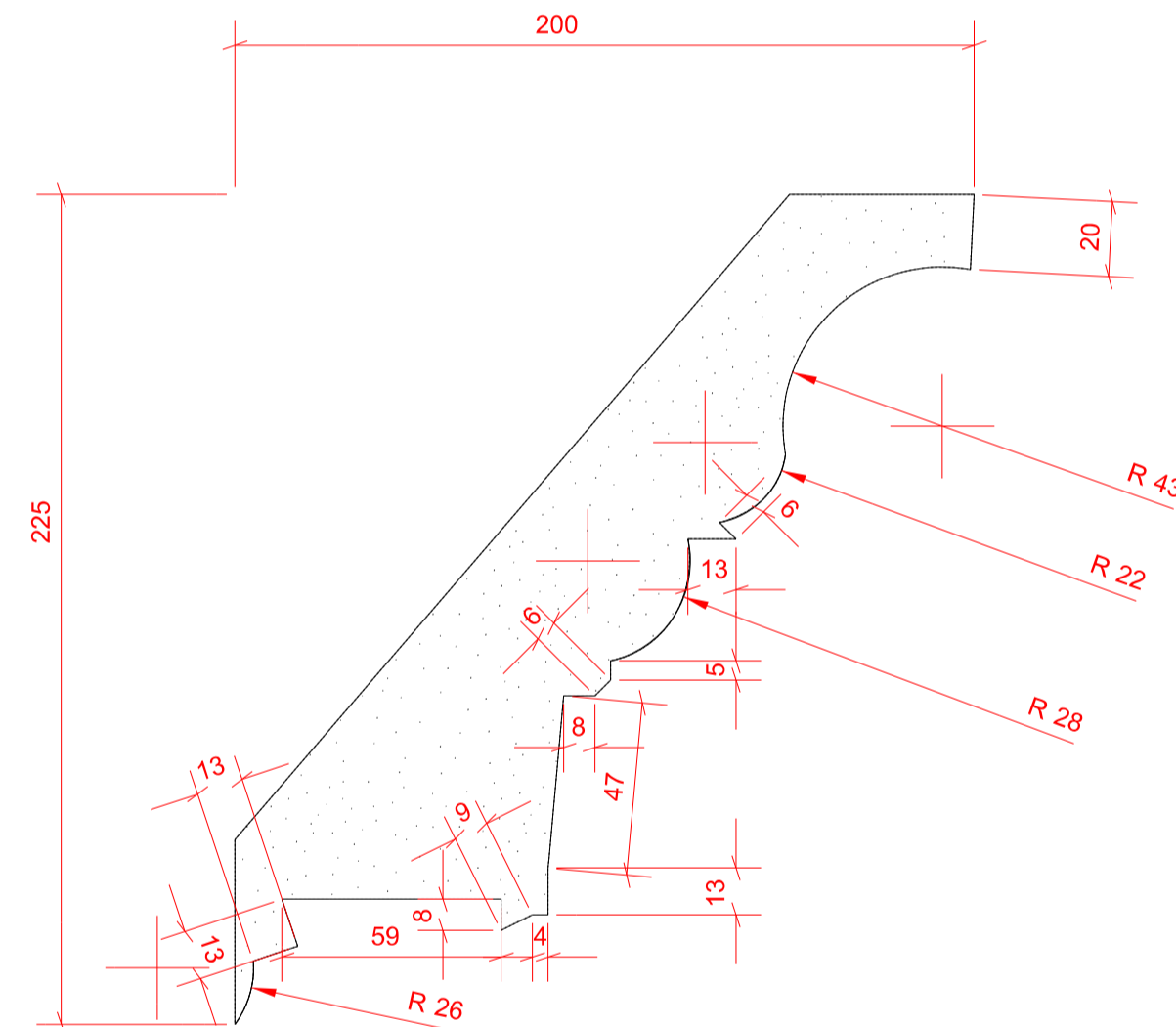
**CORNICE TYPE D**  
New cornice to match existing second floor profile  
r1.02, scale 1:2



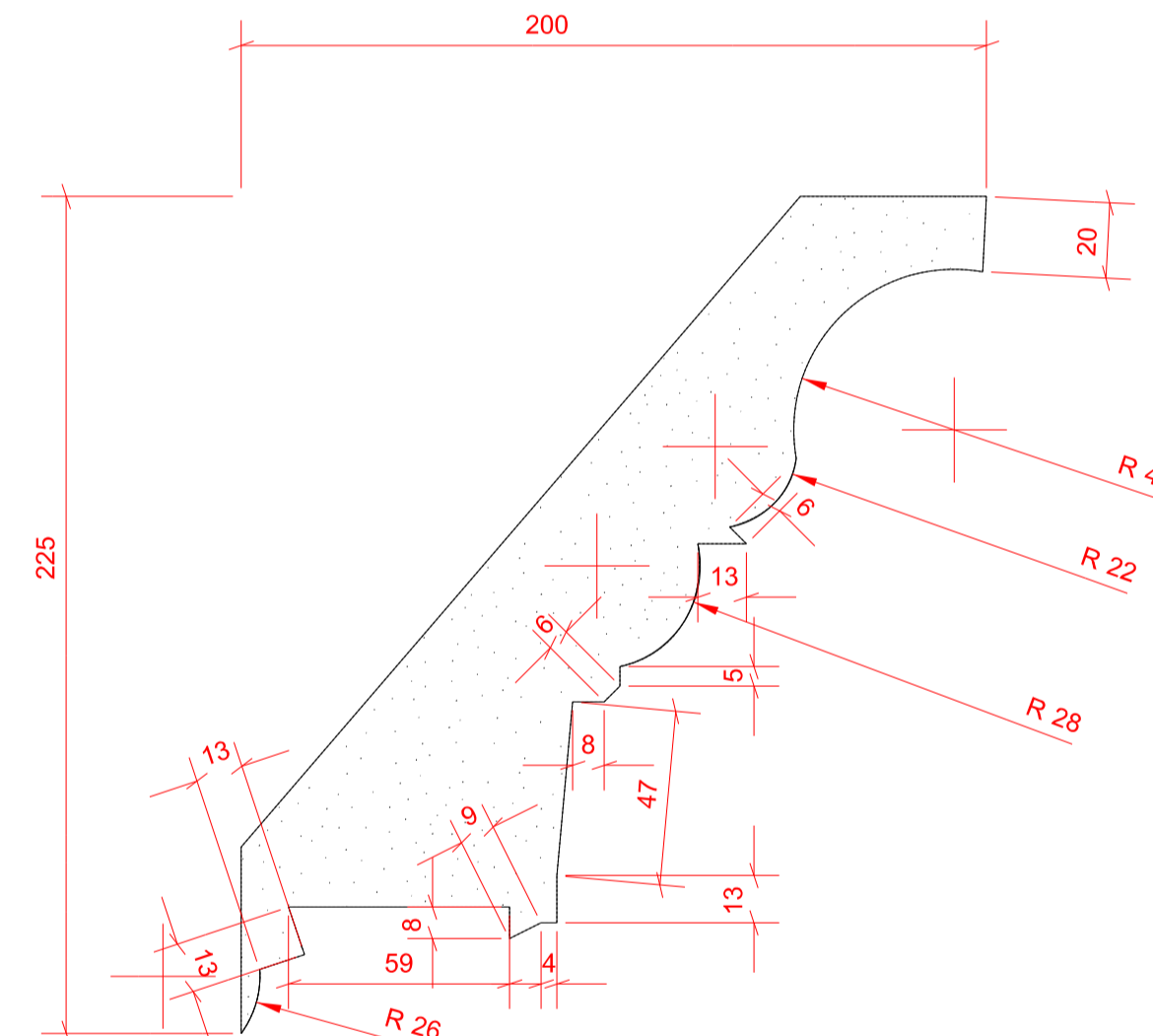
**CORNICE TYPE A**  
Existing cornice profile  
rG.02, scale 1:2



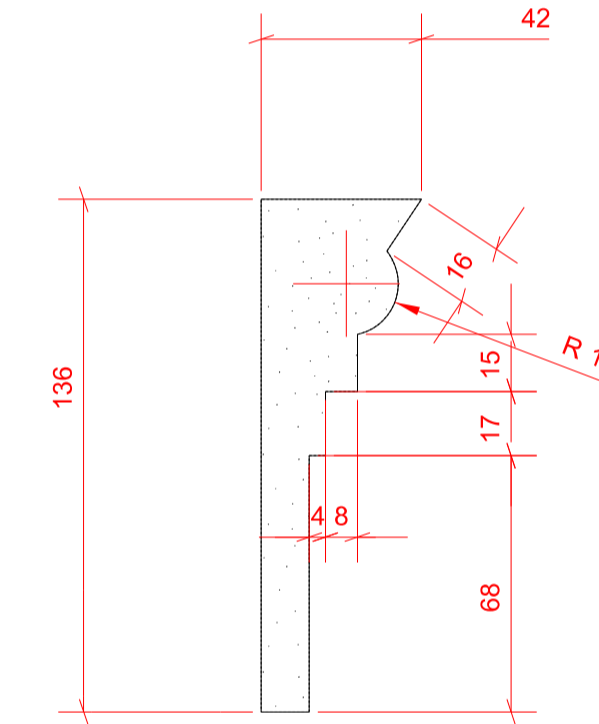
**CORNICE TYPE K**  
New cornice to match existing profile  
r3.01 scale 1:2



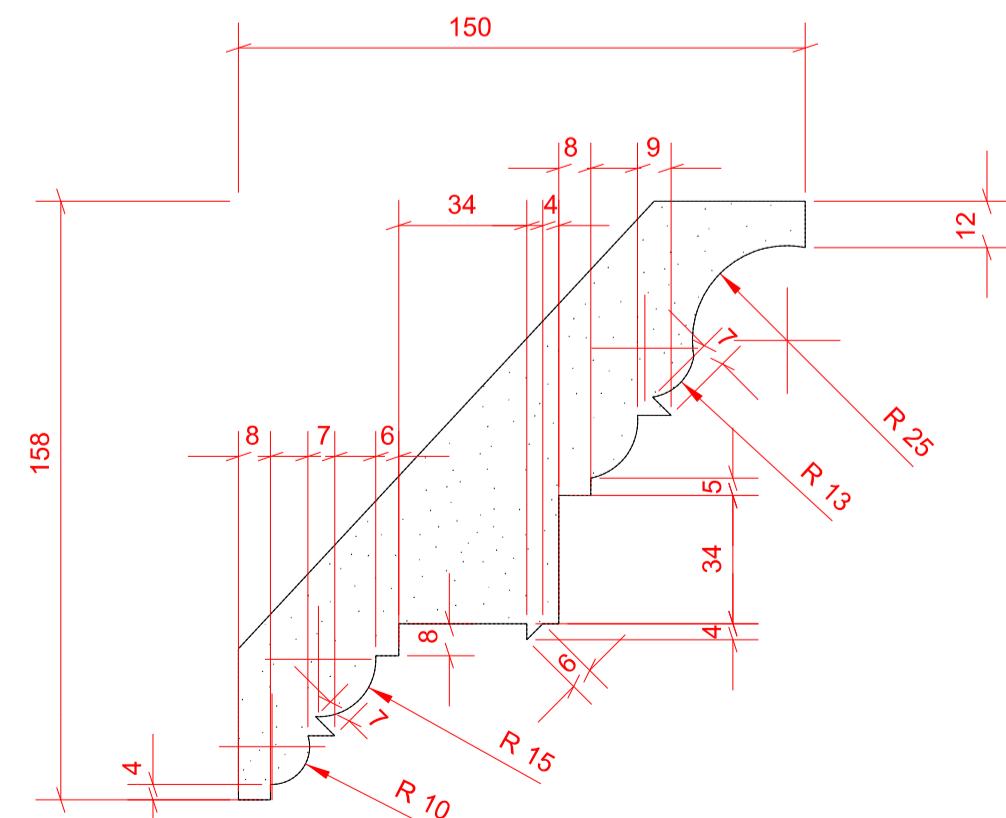
**CORNICE TYPE H**  
Existing cornice profile  
r2.01, r2.05  
New cornice to match existing profile  
r2.01 scale 1:2



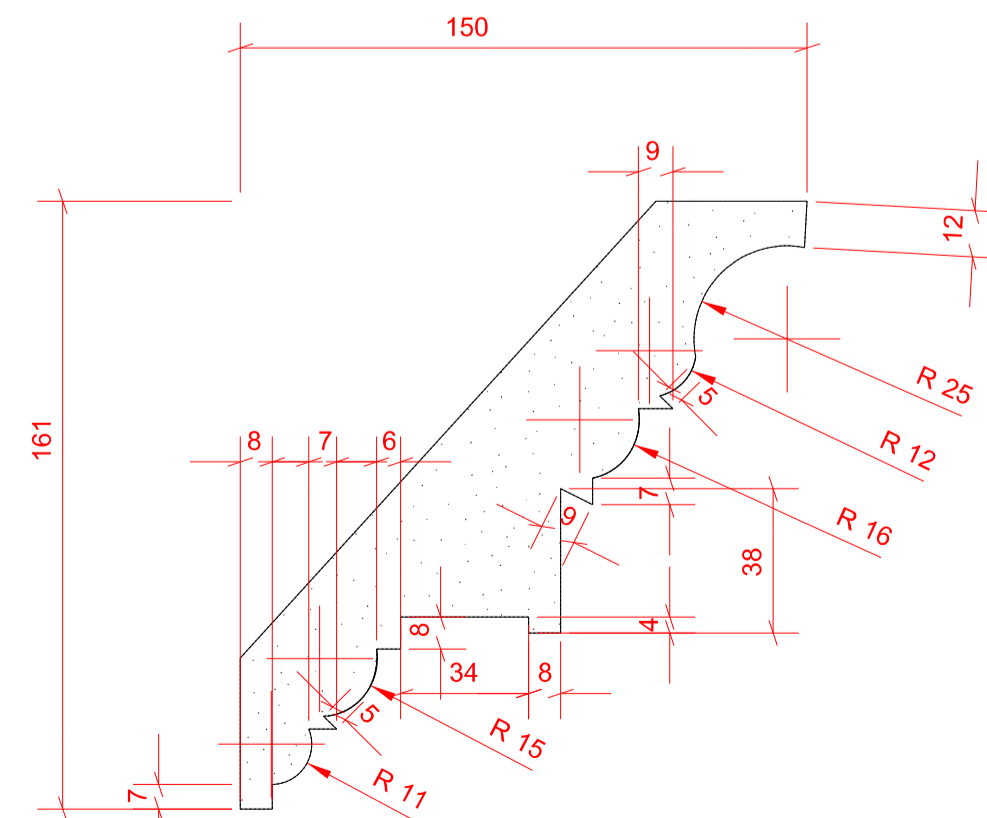
**CORNICE TYPE E**  
New cornice to match existing second floor profile  
r1.01, r1.03 scale 1:2



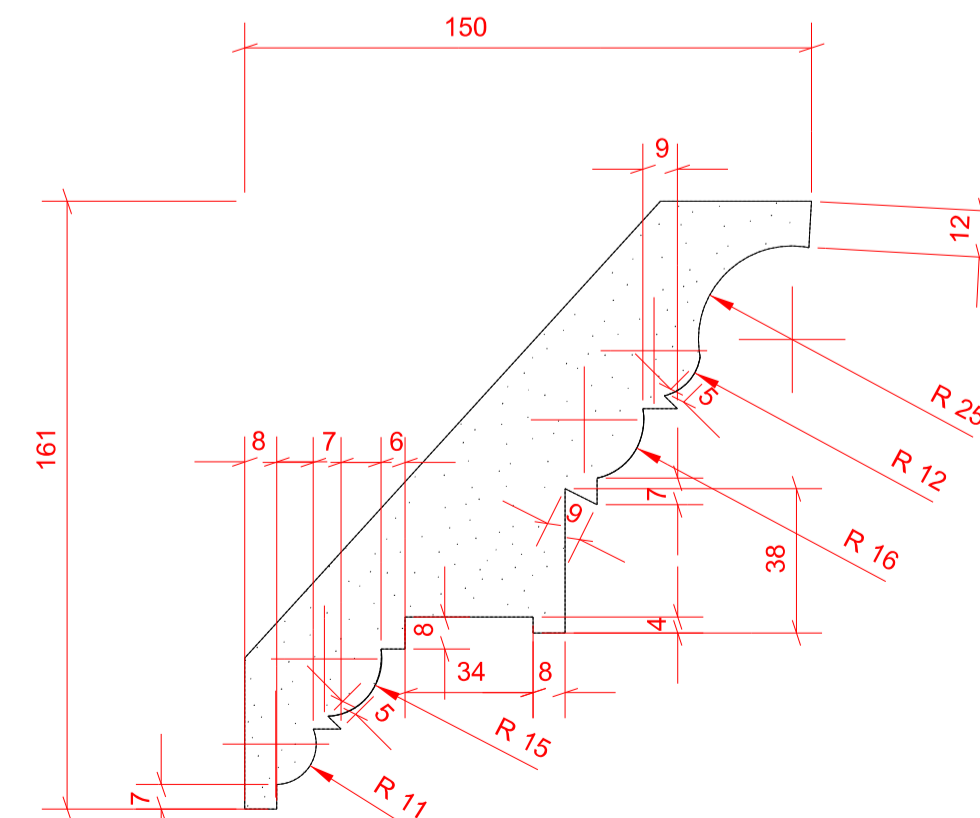
**CORNICE TYPE B**  
Existing cornice profile  
rG.01, rG.03, scale 1:2



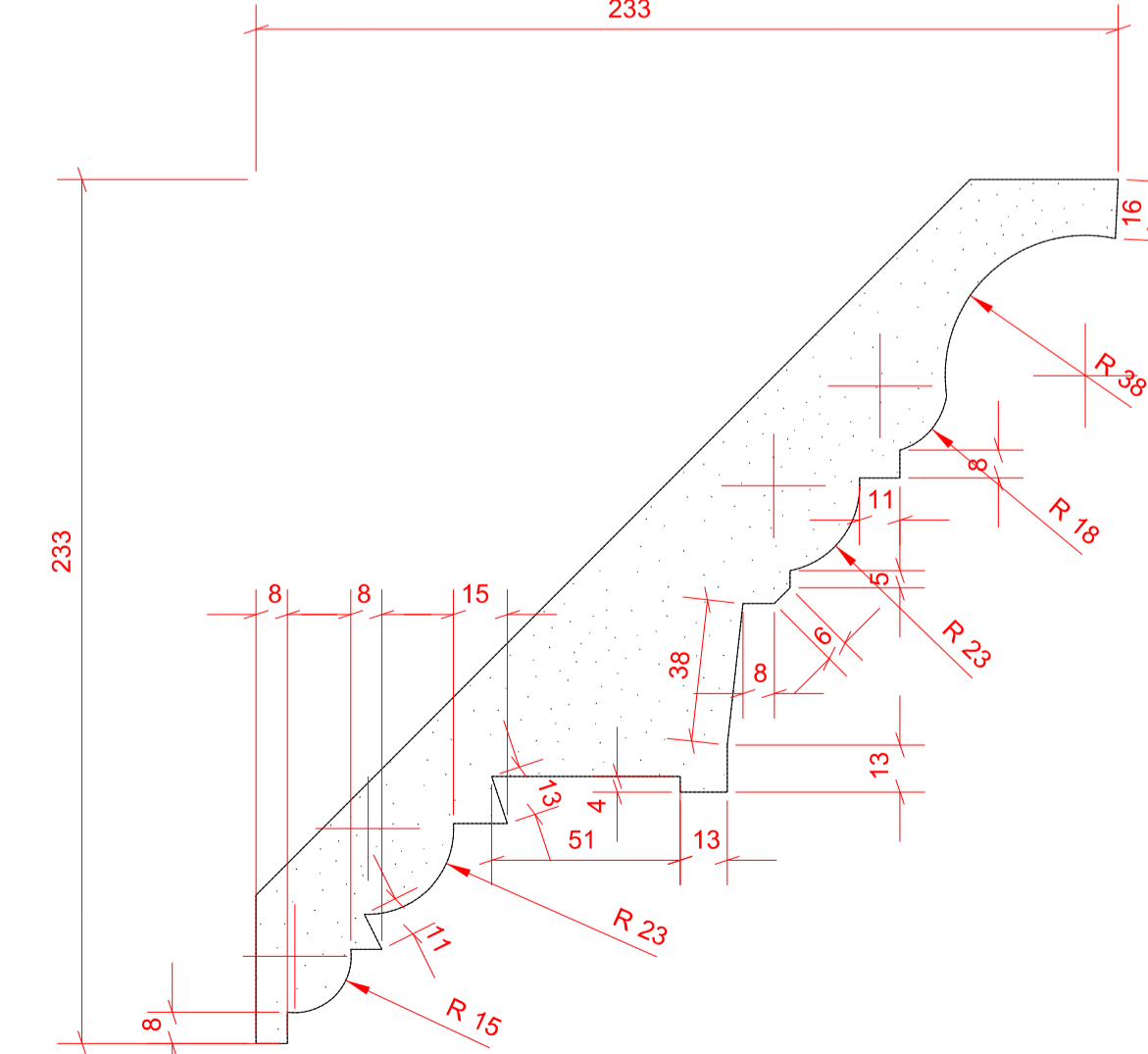
**CORNICE TYPE L**  
New cornice to match existing second floor profile  
r3.06 scale 1:2



**CORNICE TYPE I**  
Existing cornice profile  
r2.06, scale 1:2



**CORNICE TYPE F**  
New cornice to match existing second floor profile  
r1.04 scale 1:2



**CORNICE TYPE C**  
Existing cornice profile  
rG.05, scale 1:2

Rev C	19.09.18	Revised as per Planner's comments
Rev B	09.08.18	Revised as per Planner's comments
Rev A	02.02.18	Issued for planning

**PLANNING**

Project No. **17103**

Client **GFZ Investments Ltd.**

Date **January 2018**

Scale **1:2 @ A1**

Project **34 Great James Street**

Drawing Title: **Proposed Cornice Types**

Drawing No. **700\_102** Rev. **C**

Drawn	Approved	Signed
OB	MW	

**Marek Wojciechowski Architects Ltd.**

66 - 68 Margaret Street W1W 8SR T. 020 7580 9336 www.mw-a.co.uk

Copyright Marek Wojciechowski Architects. No implied license exists. This drawing should not be used to calculate areas for the purposes of valuation. All dimensions to be checked on site by the contractor and such dimensions to be their responsibility. Do not scale drawings. All work must comply with relevant British Standards and Building Regulations requirements. Drawing errors and omissions to be reported to the architect.