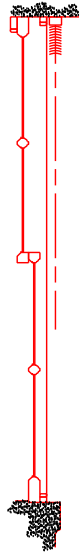


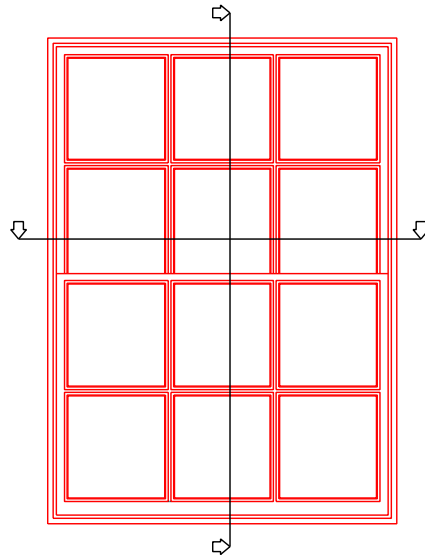
All dimensions are in millimetres

EXISTING

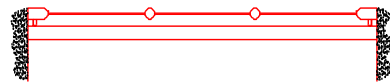
PROPOSED



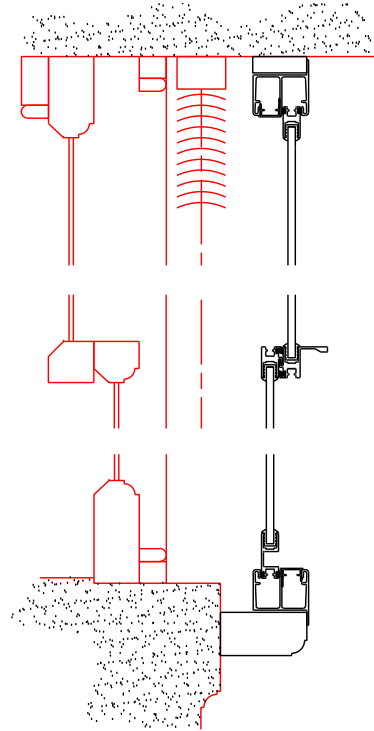
Vertical Section
Scale 1:20



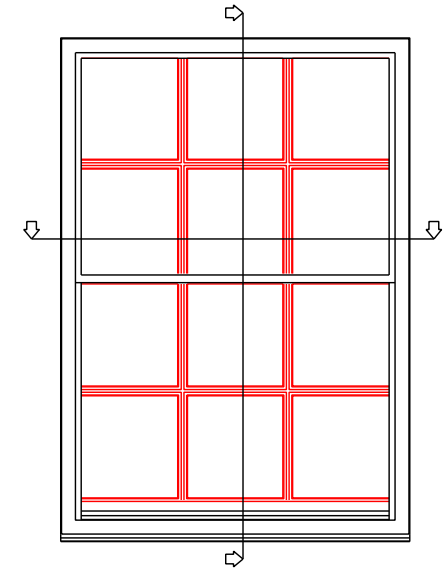
Elevation of Opening 1.02
Scale 1:20



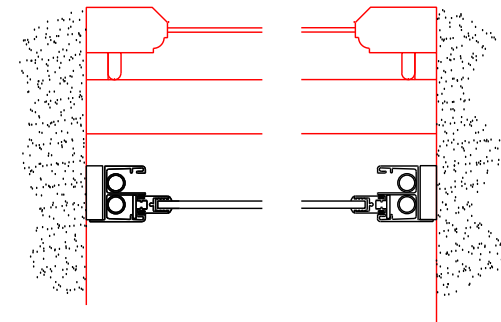
Horizontal Section
Scale 1:20



Vertical Section
Scale 1:5

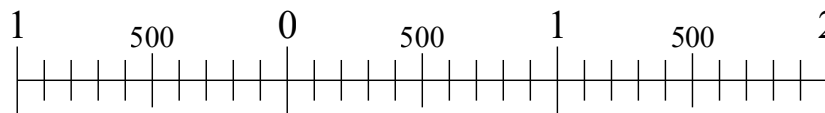


Elevation of Opening 1.02 with
S25-VSCB secondary glazing
Scale 1:20



Horizontal Section
Scale 1:5

Scale 1:20



Drawings for LBC Approval

Client: De Beers

Site: 31-32 Ely Place

DATE
11-09-18

SCALE
1@20 @ A3

DRAWING No.
C/31829/01-S10

selectaglaze

ALBAN PARK, HATFIELD ROAD
ST. ALBANS HERTS AL4 0JJ

TEL: 01727 837271
FAX: 01727 844053