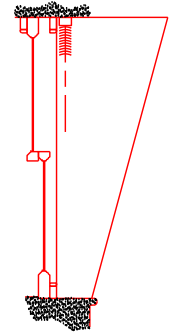
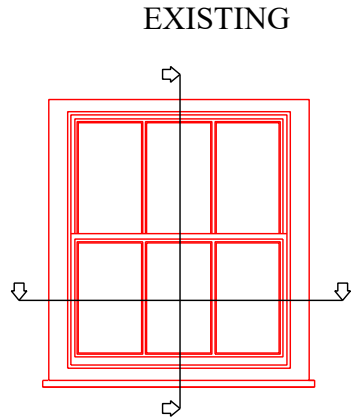


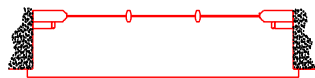
All dimensions are in millimetres



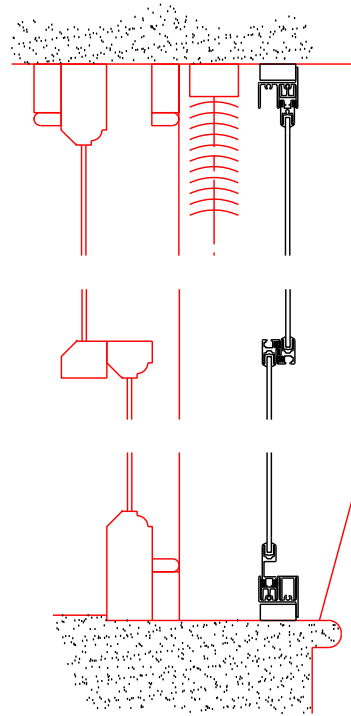
Vertical Section  
Scale 1:20



Elevation of Opening 3.02  
Scale 1:20

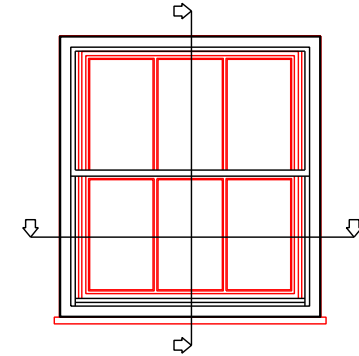


Horizontal Section  
Scale 1:20

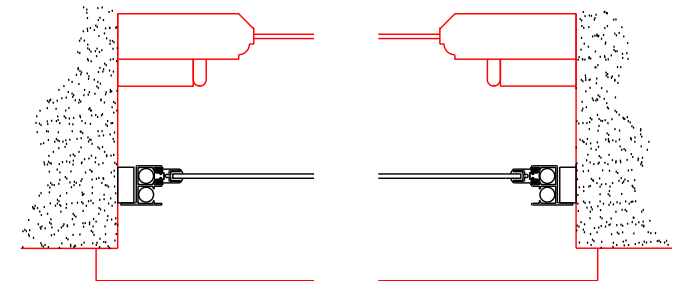


Vertical Section  
Scale 1:5

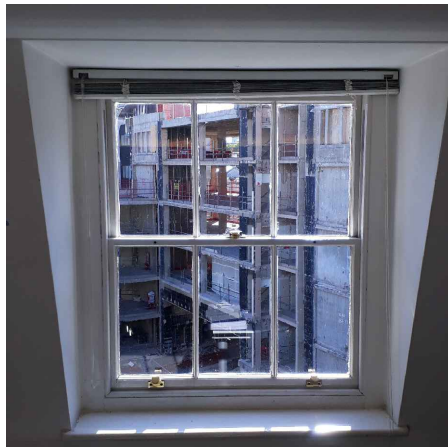
PROPOSED



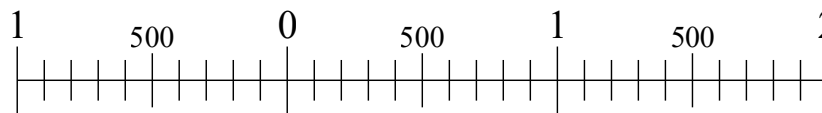
Elevation of Opening 3.02 with  
S20-VSCB secondary glazing  
Scale 1:20



Horizontal Section  
Scale 1:5



Scale 1:20



Drawings for LBC Approval

DATE  
11-09-18

SCALE  
1@20 @ A3

Client: De Beers

Site: 31-32 Ely Place

DRAWING No.  
C/31829/01-S04

**selectaglaze**

ALBAN PARK, HATFIELD ROAD  
ST. ALBANS HERTS AL4 0JJ

TEL: 01727 837271  
FAX: 01727 844053