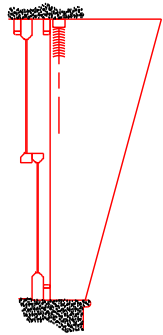
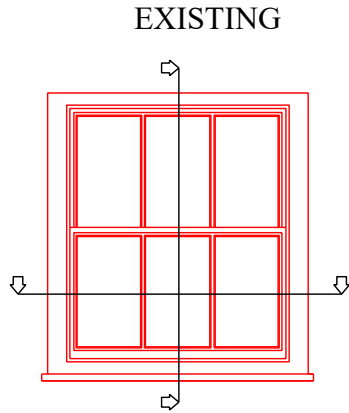


All dimensions are in millimetres

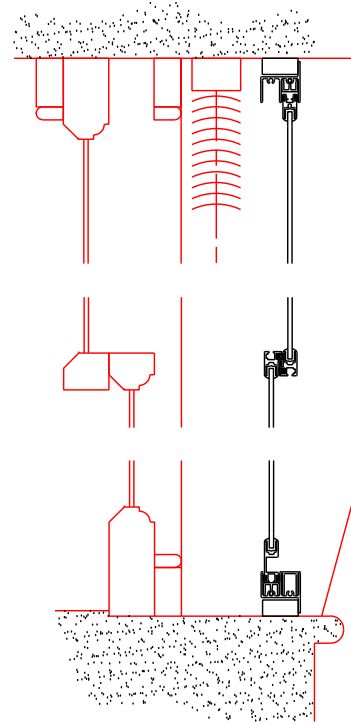
PROPOSED



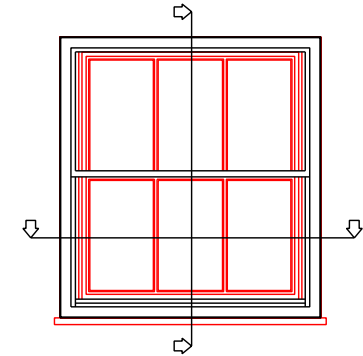
Vertical Section
Scale 1:20



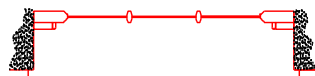
Elevation of Opening 3.03
Scale 1:20



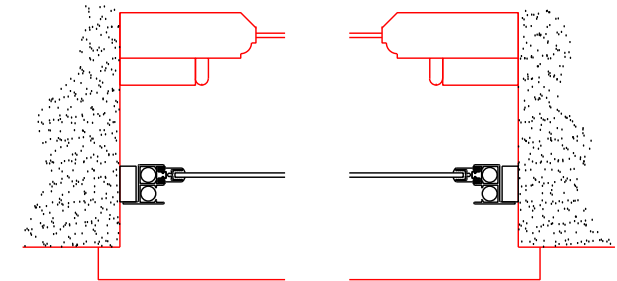
Vertical Section
Scale 1:5



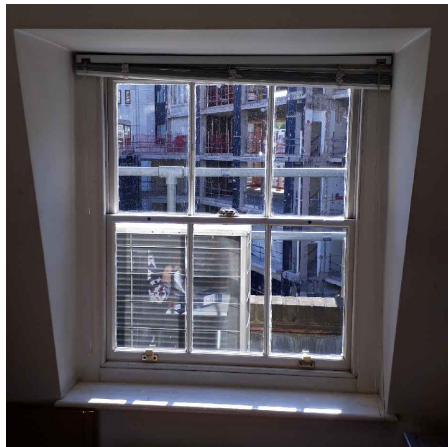
Elevation of Opening 3.03 with
S20-VSCB secondary glazing
Scale 1:20



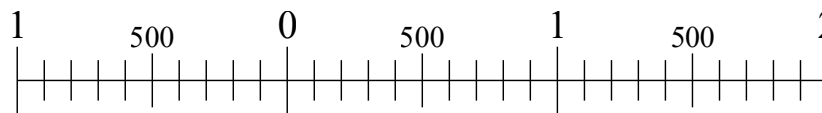
Horizontal Section
Scale 1:20



Horizontal Section
Scale 1:5



Scale 1:20



Drawings for LBC Approval

DATE
11-09-18

SCALE
1@20 @ A3

Client: De Beers

Site: 31-32 Ely Place

DRAWING No.
C/31829/01-S03

selectaglaze

ALBAN PARK, HATFIELD ROAD
ST. ALBANS HERTS AL4 0JJ

TEL: 01727 837271
FAX: 01727 844053