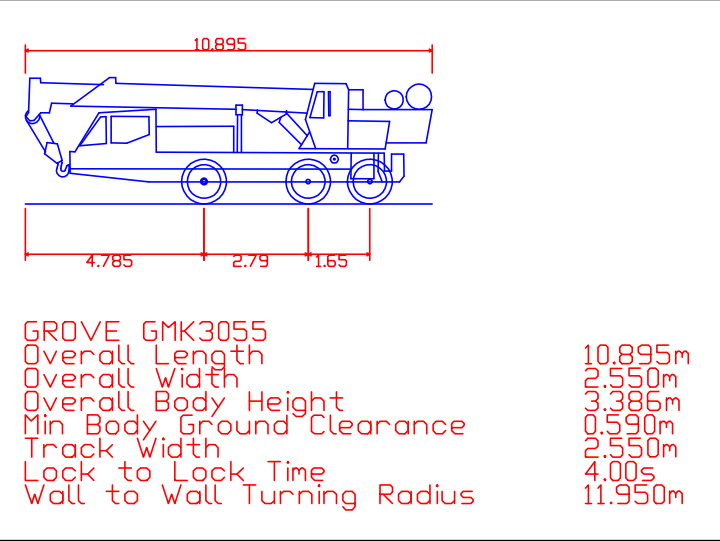


Although the vehicle body oversail the footway the wheels do not mount the kerb



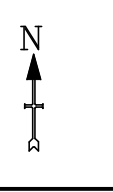
To be read in conjunction with TM Drawing 1084.64

Reverse out of Stukeley Street and Smart's Place

Keiton Traffic Management
www.ktmdrawings.com

**182 -184 HIGH HOLBORN
JCT SMART'S PLACE
VEHICLE SWEEP PATH ANALYSIS**

DDC Limited



1 TEMPORARY TRAFFIC MANAGEMENT IS SET IN ACCORDANCE WITH CHAPTER 8 AND SAFE WORKING PRACTICES.
2 DUE TO OBSTRUCTIONS, LOCATIONS OF ADVANCE WARNING SIGNS MAY VARY ONSITE.
3 THIS PLAN IS FOR THE SPECIFIED CLIENT AND IS NOT TO BE COPIED, ALTERED, REPRODUCED OR REDISTRIBUTED WITHOUT AUTHORIZATION FROM KEITON TRAFFIC MANAGEMENT.

DATE	05.10.17
DRAWN BY	KTM KH
CHECKED	KTM AP
SCALE	N.T.S.

Drawing No	
	1084.61

TEL: 0800 6444 654