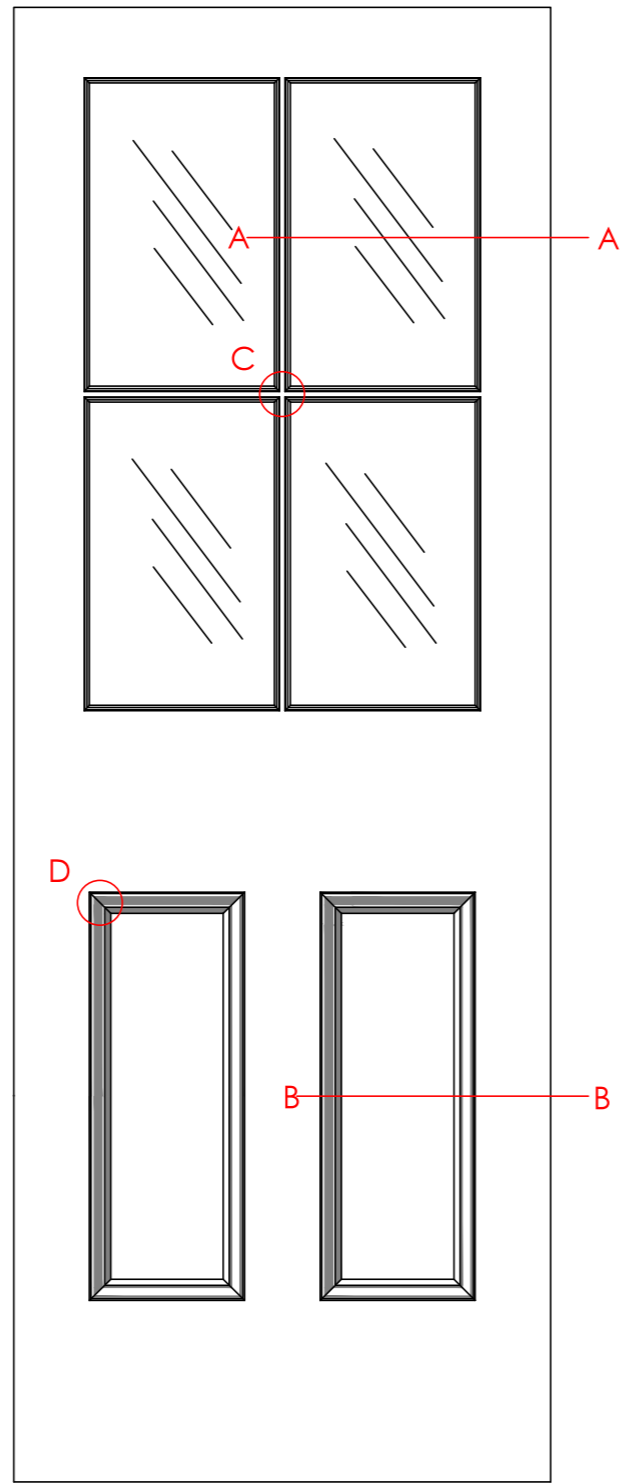
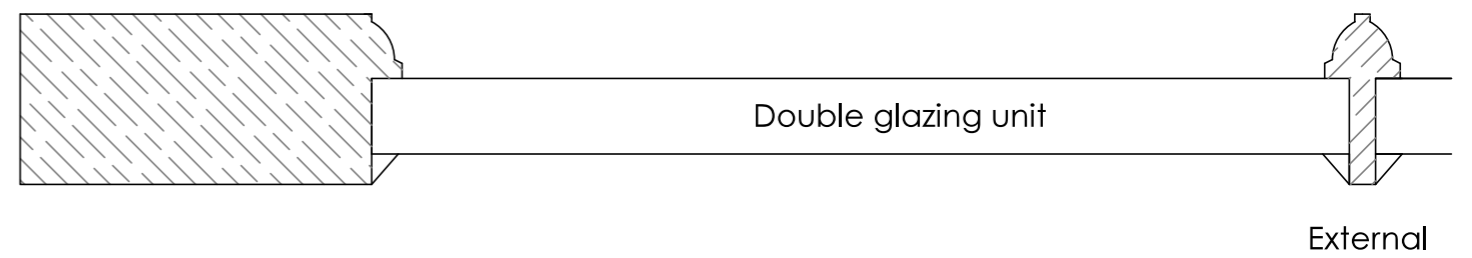


External elevation

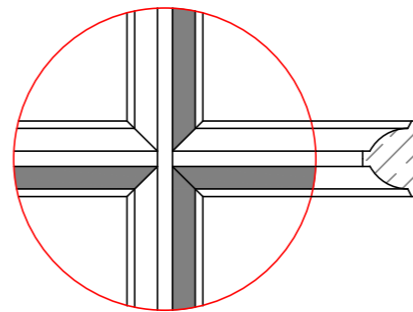


Internal elevation

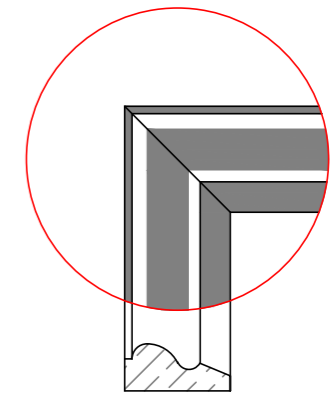
Section AA



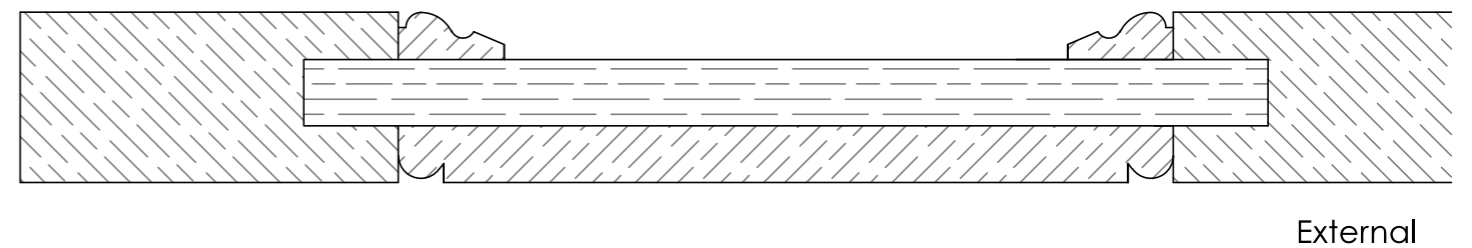
Detail C



Detail D



Section BB



Sections and detail @ 1:2

**Key:**  
Middle of lock rail set at 900mm from floor

**Notes:**

**Project:**  
35 Doughty Street (A)

**Drawing:**  
Floor 0 | Kitchen door  
Proposed elevations & sections

Scale: 1:10 @A3  
DWG no.: 02/10301  
DWG by: PBW  
Job no.: 10301  
Date: 22 June 2018



paul@ghostdesignstudio.co.uk  
07931 736868