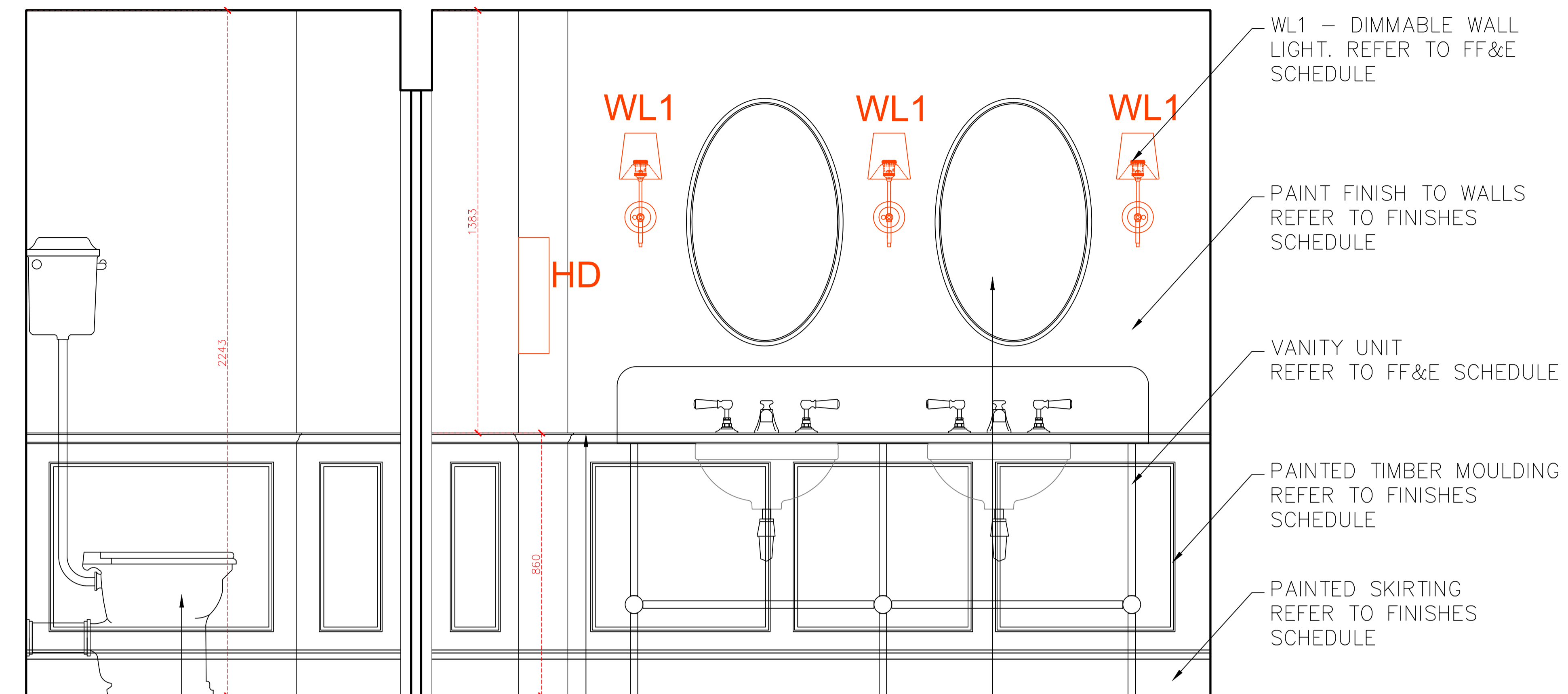


-	17.06.18	DRAFT ISSUE
A	26.09.18	APPLICATION



1 Ground Floor Plan
Scale 1:20@A1

BRAND NEW WC WITH HIGH LEVEL CISTERN
REFER O SANITARY WARE SCHEDULE

PAINTED DADO RAIL
REFER TO FINISHES SCHEDULE

OVAL MIRRORS - REFER TO DETAILS PACK

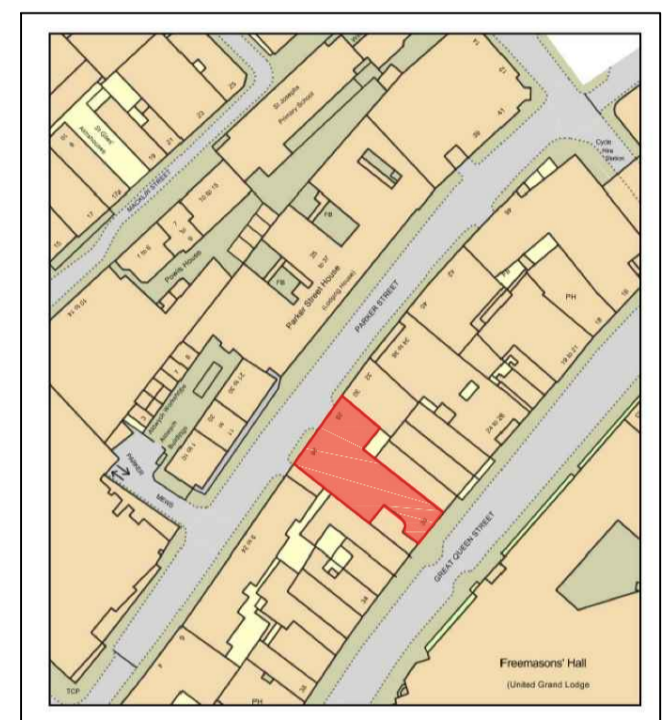
WL1 - DIMMABLE WALL LIGHT. REFER TO FF&E SCHEDULE

PAINT FINISH TO WALLS
REFER TO FINISHES SCHEDULE

VANITY UNIT
REFER TO FF&E SCHEDULE

PAINTED TIMBER MOULDING
REFER TO FINISHES SCHEDULE

PAINTED SKIRTING
REFER TO FINISHES SCHEDULE



This drawing is the property of Giasullo Engineering Ltd. Copyright is reserved to them and the drawing is issued on the condition that it is not copied, either wholly or in part, without the written consent of Giasullo Engineering Ltd

All Dimensions to be checked and verified on site prior to the commencement of any work.No construction is to be conducted based on these drawings.

GIASULLO ENGINEERING LTD
26 heyford Avenue
London, SW8 1ED
www.giasulloengineering.co.uk

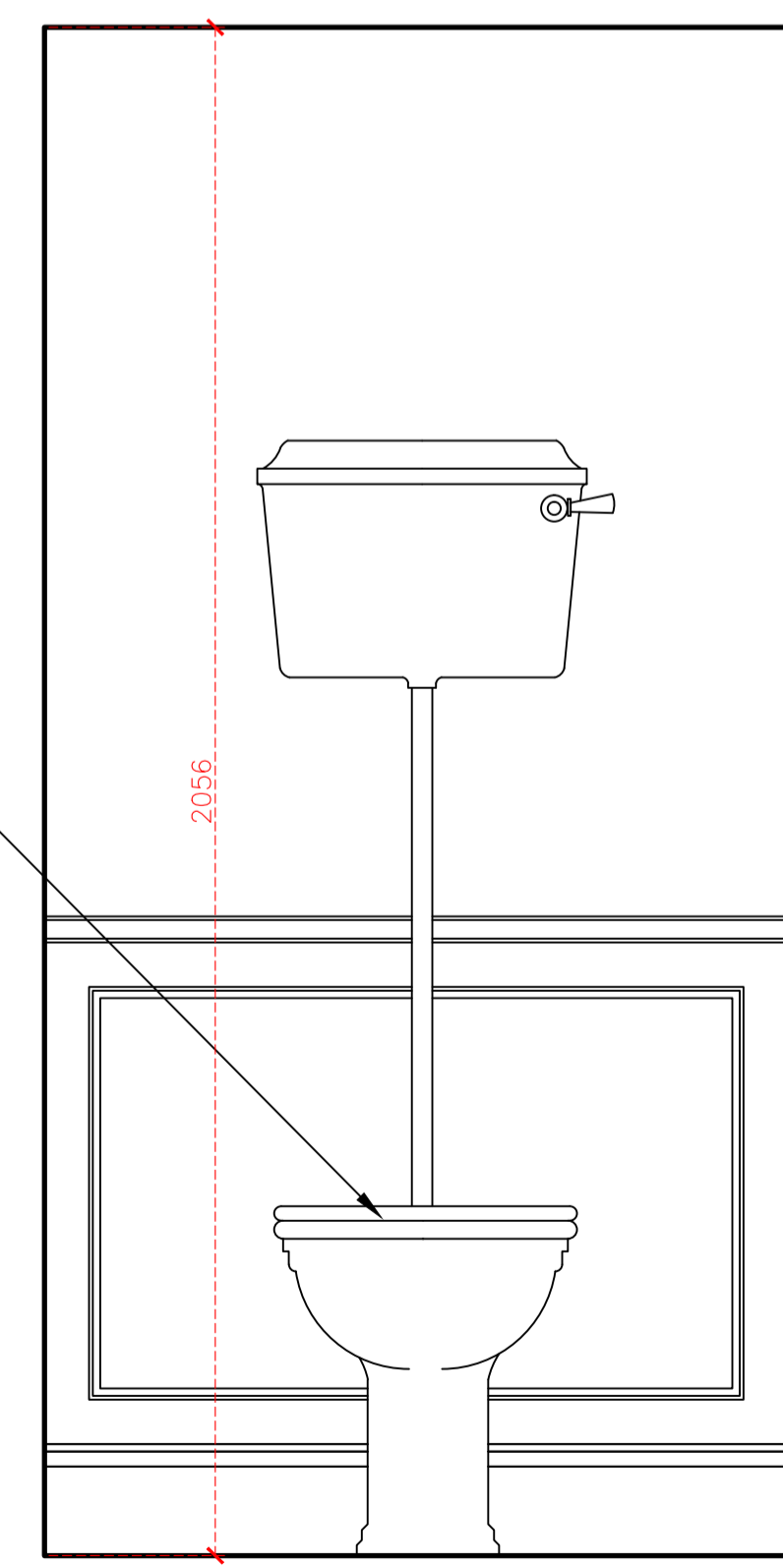
DRAWING STATUS
APPLICATION

CLIENT
RITORNO
30 Great Queen Street WC2B 5BB
London

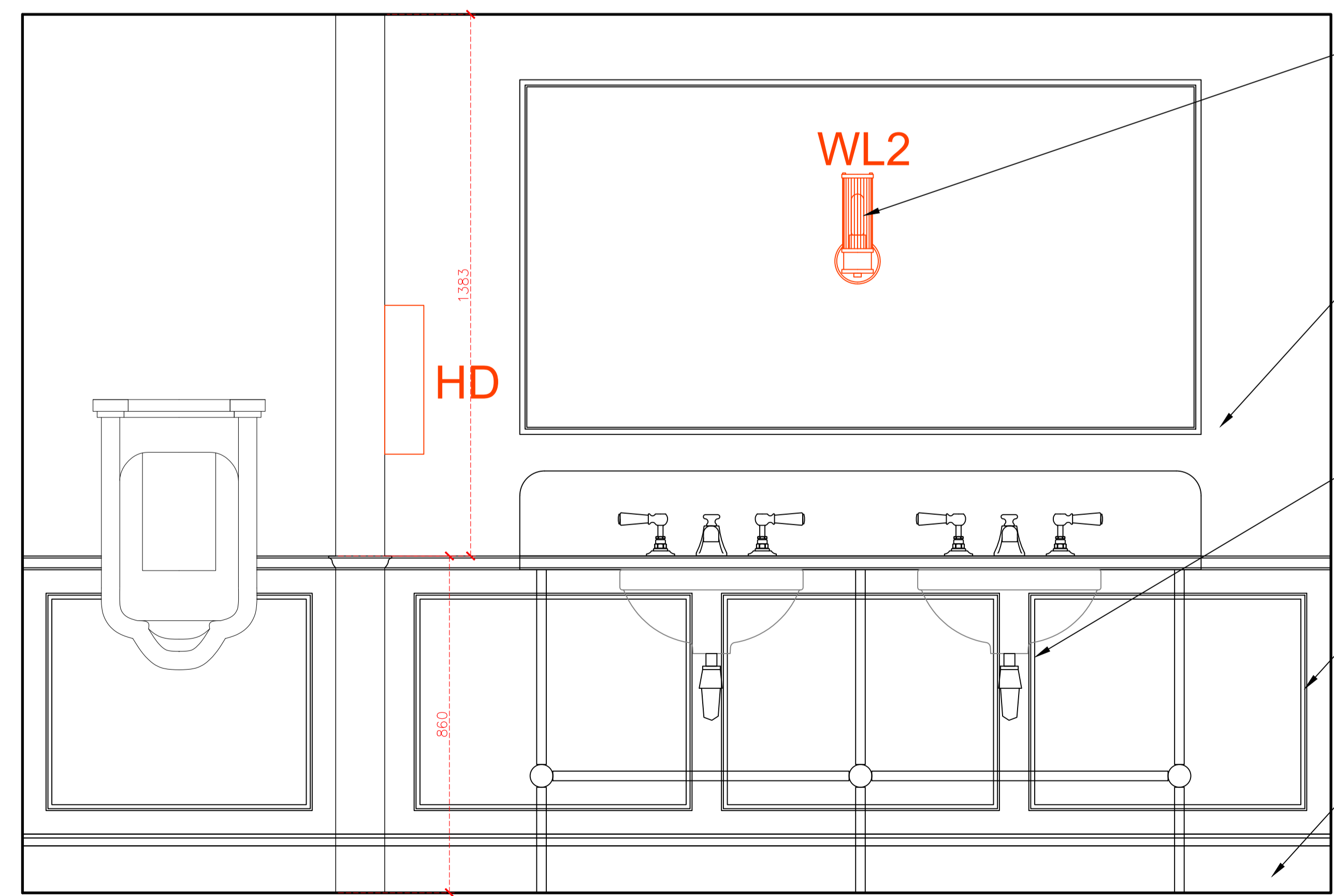
PROJECT TITLE
WOLFE'S BATHROOMS

DRAWING TITLE
PROPOSED INTERNAL ELEVATIONS TOILETS

PROJECT NO.	SCALE
104	1/20 @ A1 1/40 @ A3
DATE	DRAWN
26.09.2018	SD
DRAWING NO.	APPROVED
101-EL-15	FG
	REVISION
	A



BRAND NEW WC WITH HIGH LEVEL CISTERN
REFER O SANITARY WARE SCHEDULE



1 Ground Floor Plan
Scale 1:20@A1

WL2 - DIMMABLE WALL LIGHT. REFER TO FF&E SCHEDULE

PAINT FINISH TO WALLS
REFER TO FINISHES SCHEDULE

VANITY UNIT
REFER TO FF&E SCHEDULE

PAINTED TIMBER MOULDING
REFER TO FINISHES SCHEDULE

PAINTED SKIRTING
REFER TO FINISHES SCHEDULE

HD

