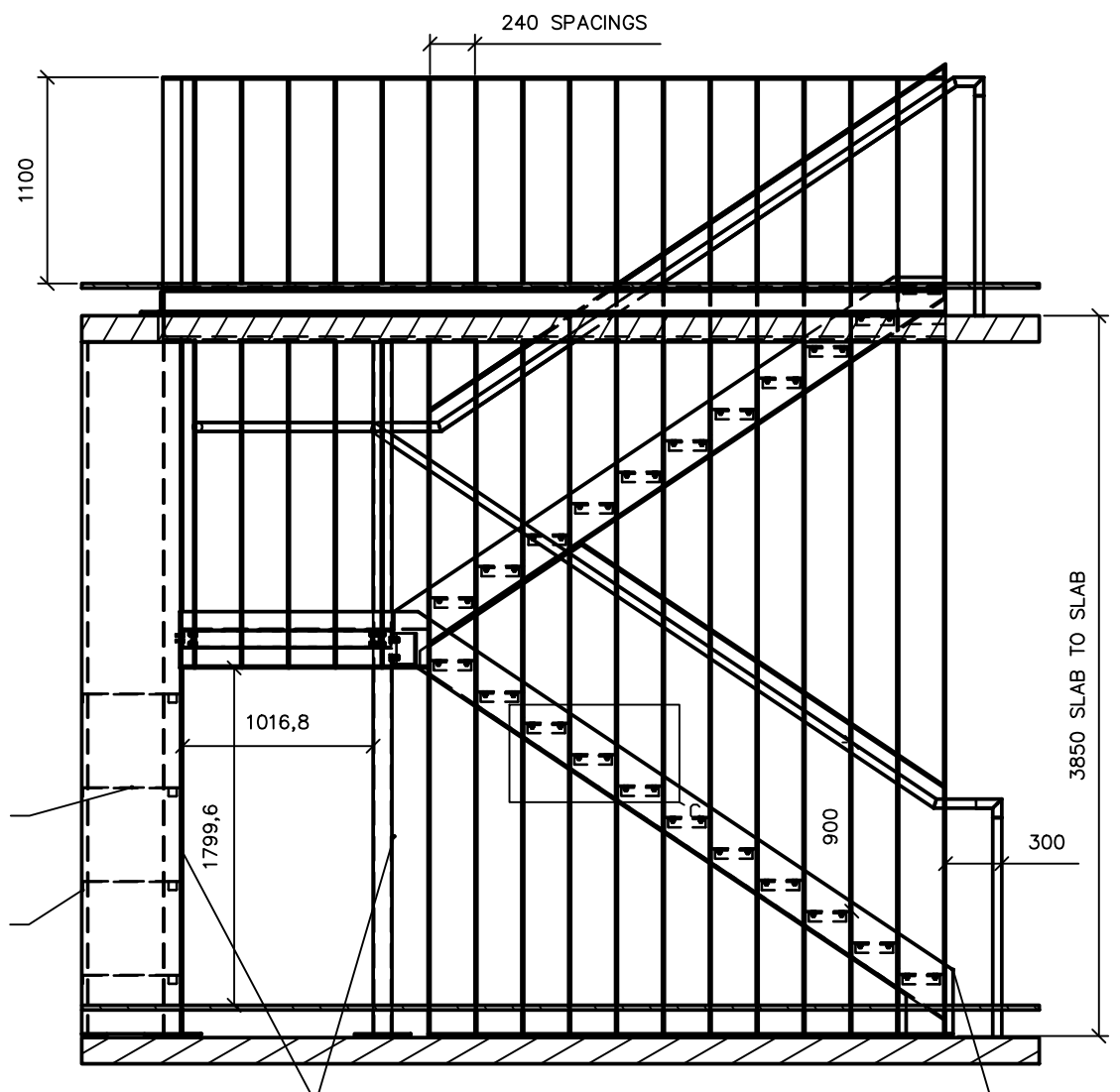
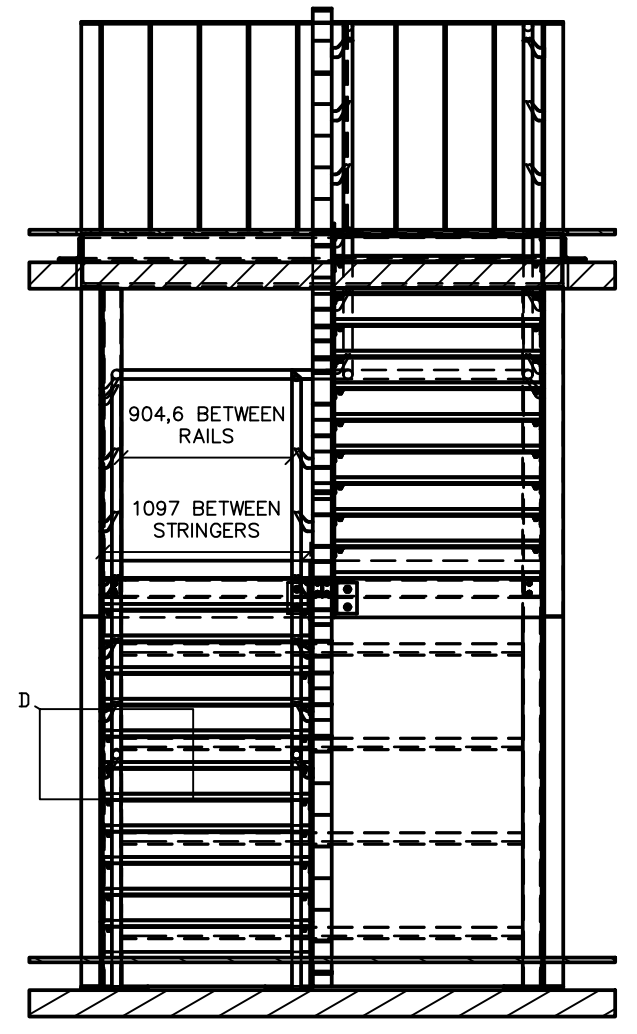


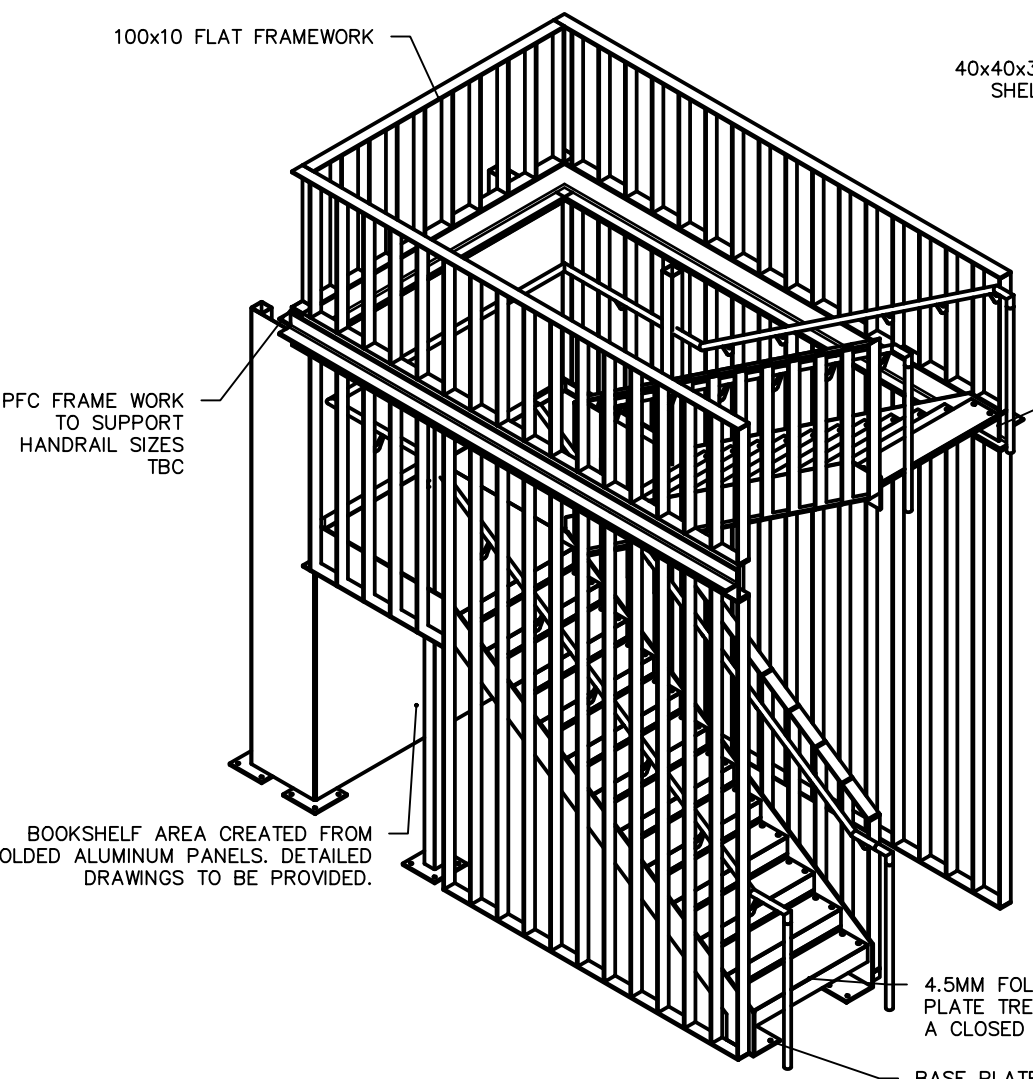
STAIR PLAN ON 5TH FLOOR (1:40)



B-B SIDE (1:40)

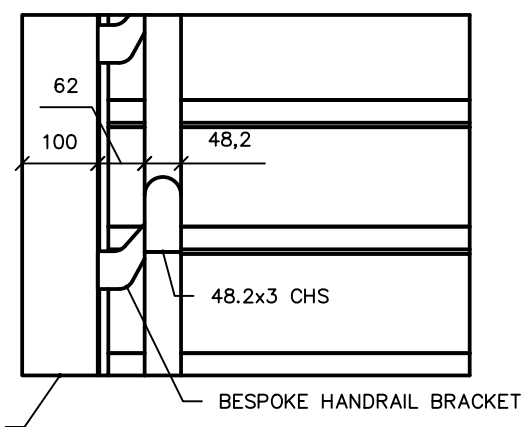


A-A FRONT (1:40)

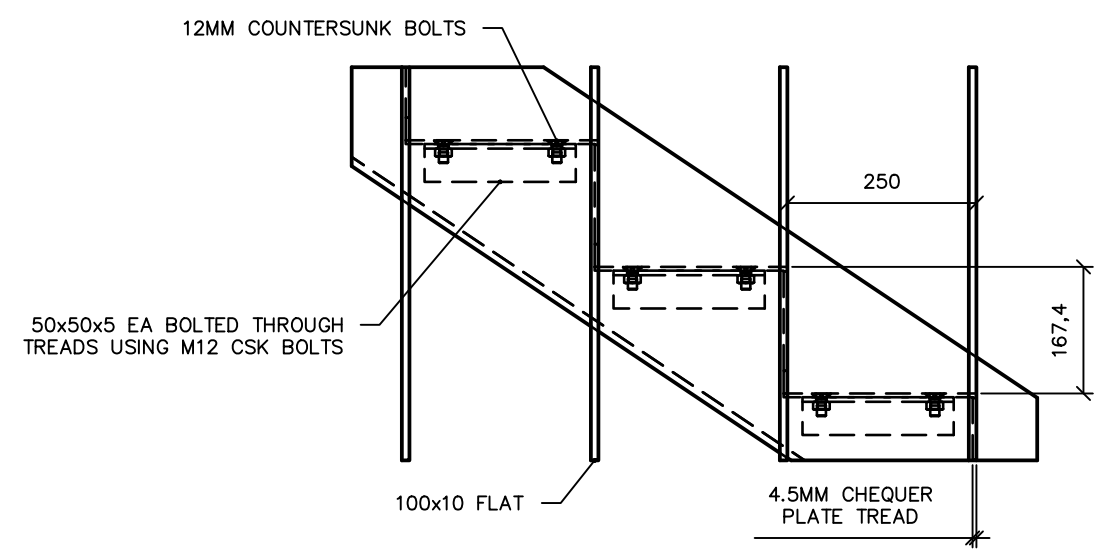


STAIR ISOMETRIC (1:50)

TOP FIXING TO BE CONFIRMED  
ADDITIONAL STEELWORK TO  
SUPPORT OPENING CONFIRMED  
BY OTHERS.



D HANDRAIL DETAIL (1:10)



C TREAD DETAIL (1:10)

BASE PLATE DESIGN TBC  
HIDDEN BENEATH RAISED  
ACCESS FLOORING

Date: 23-01-18	Scale: VARIOUS @ A3	No: 1602.1	Rev: C	Rev	Drawn	Date	Log	Notes: These dimensions are not for fabrication. This drawing is for illustrative purposes only.  Finish: No Finish supplied
Drawn By: BS	Status: Fabrication	Project: Seven Dials		-	BS	23-01-18	First issue for comment or approval	
<p>The Woodyard Binfield Heath Henley-on-Thames RG9 4LR 018 947 1311 sales@metcalfe-metal.co.uk</p>		Title: Staircase GA		A	BS	16-02-18	Initial bookshelf design and structural elements added	
				B	BS	26-02-18	Leg support changed to remove cantilever	
				C	BS	21-03-18	Leg support changed to remove cantilever	