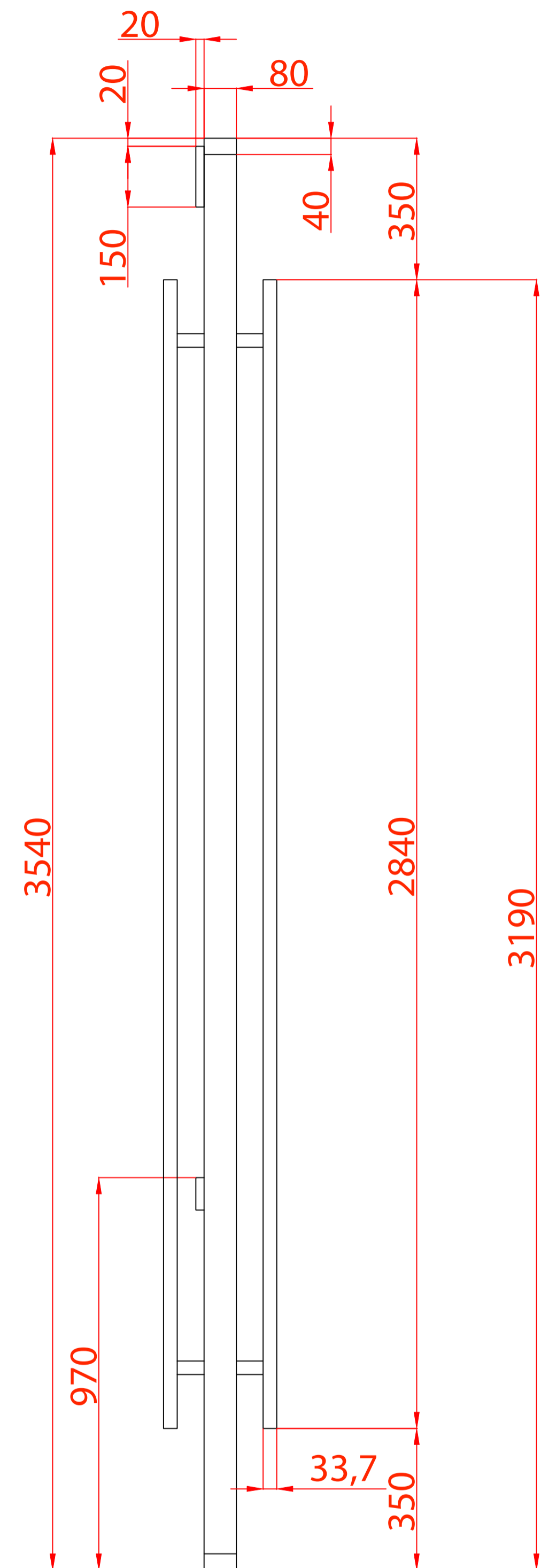
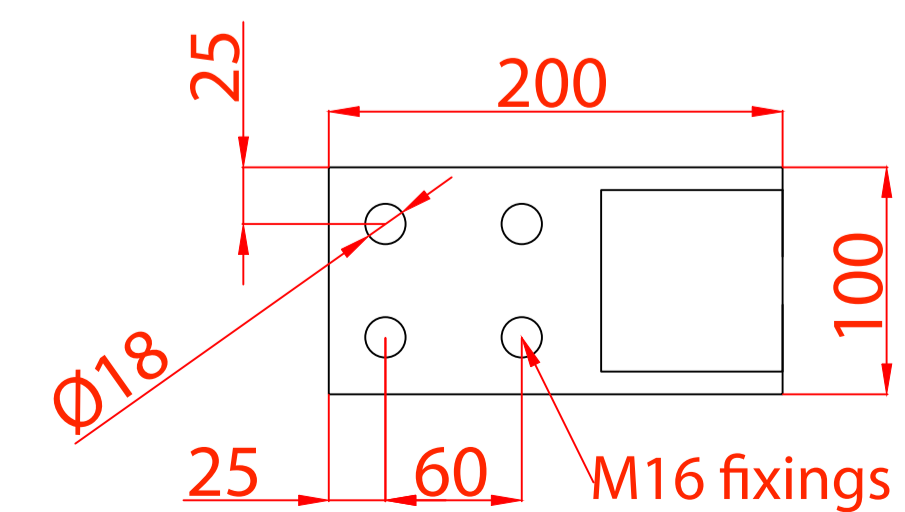


Finish will be shot blasted, hot zinc sprayed, primed and powder coated RAL 7021 Satin (Black Grey 20% Gloss)

Side View



Base Plate Detail 200x100x10



THIS DRAWING IS ISSUED FOR DESIGN PURPOSES ONLY

This drawing is only issued for design only, all dimensions must be confirmed by site measurements taken by approved contractors.

DO NOT SCALE, ALL DIMENSIONS TO BE TAKEN ON SITE AND AGREED

All dimensions on drawing are subject to approval before manufacture.

Design and materials may change prior to manufacture and installation

| | | | |
|-------|----------|---------|--------|
| KB | 06.09.18 | | |
| Drawn | Date | Checked | Signed |

Fabrication By _____ Checked By _____



Blackburn & Co. Ltd
Fabrication, Maintenance & Installation Services

Tel : 01277 286 599

e-mail: info@blackburnltd.co.uk
www.blackburnltd.co.uk

Project
44 Eagle Street, London

Title
Entrance Gate
Scale : 1:10@A1

| | |
|------------|-----|
| Drawing No | Rev |
| B2194-01 | H |