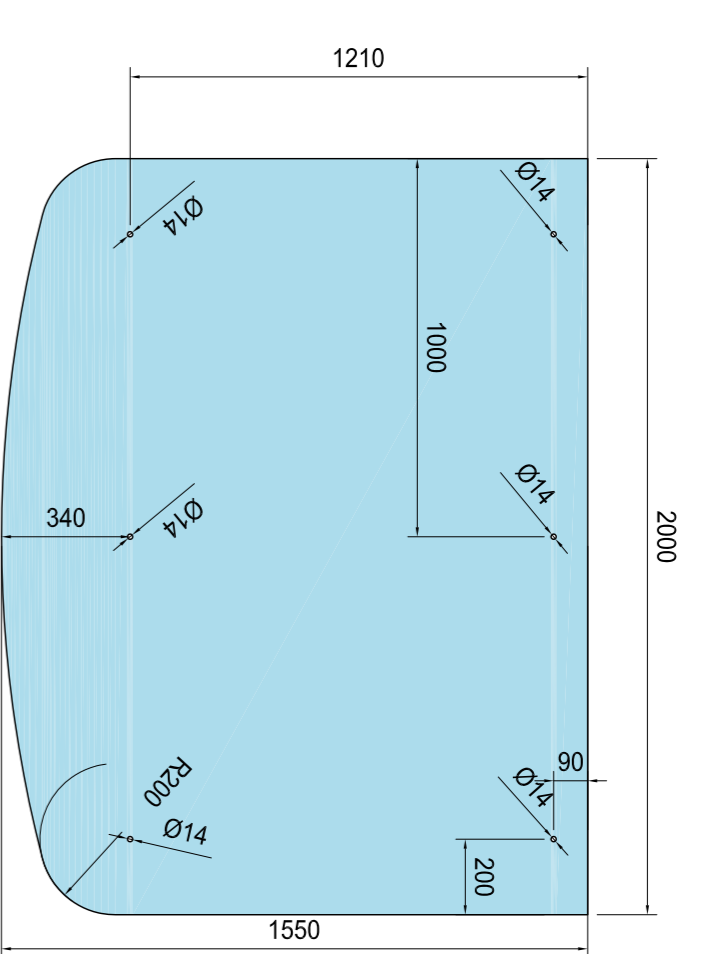


REVISIONS		
Rev.	Drawn	By

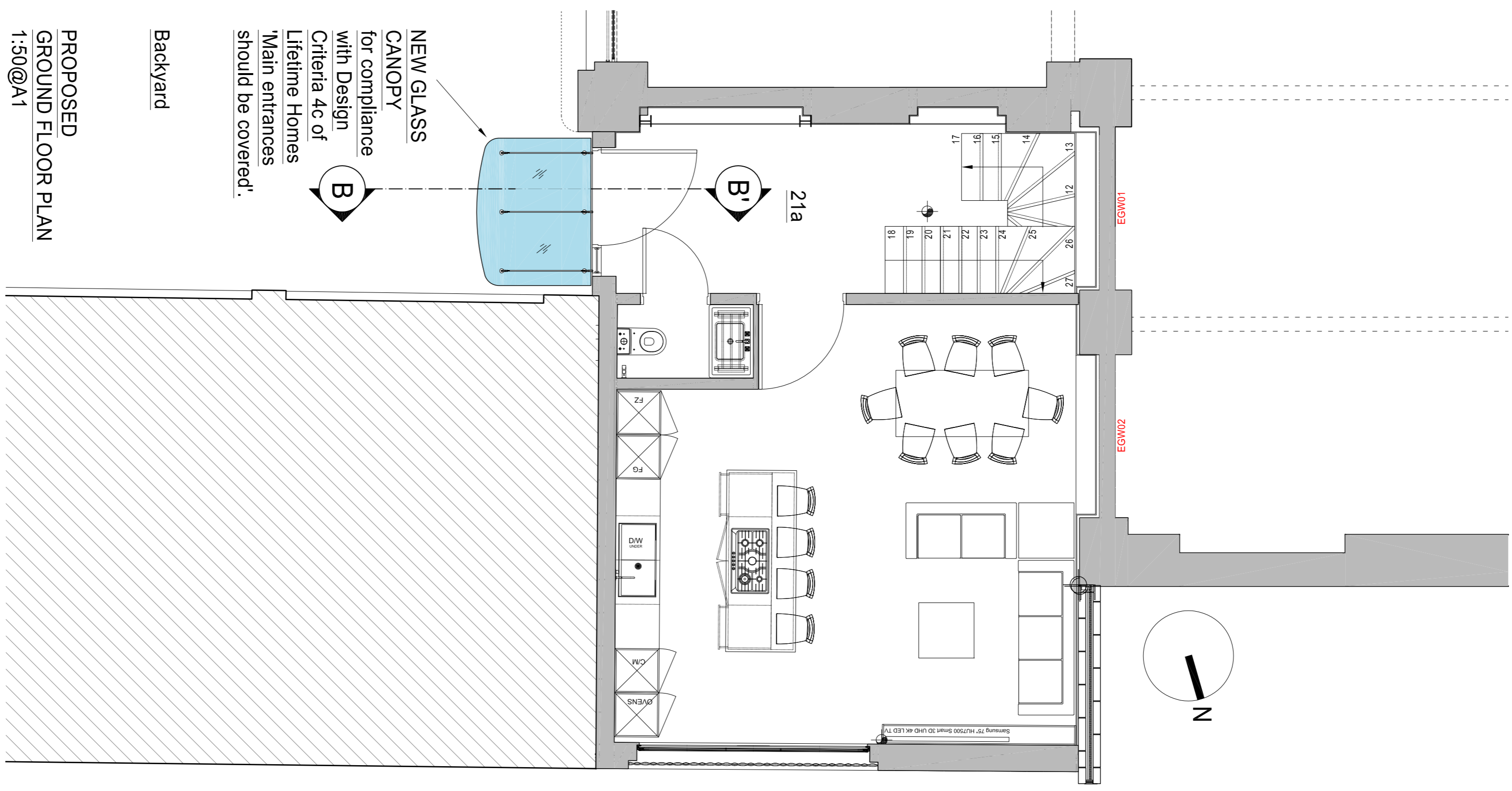


Toughened & laminated clear glass

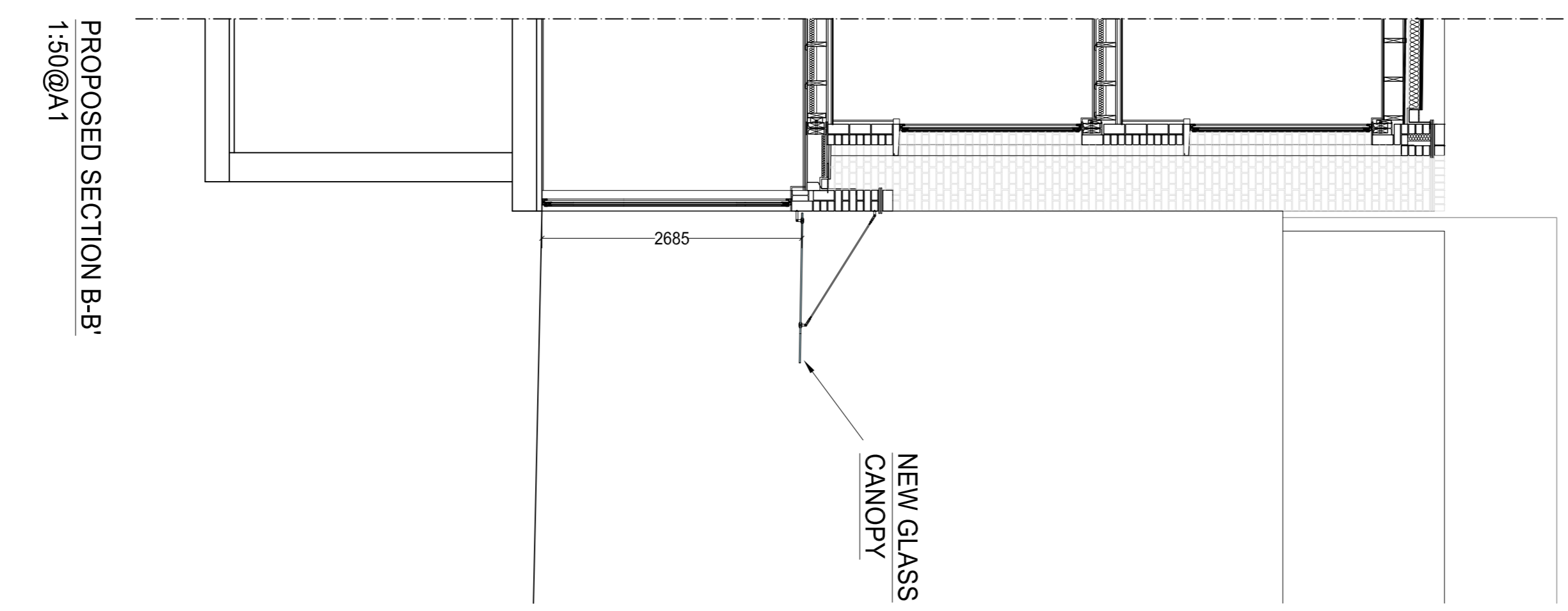
PROPOSED GLASS CANOPY
1:20@A1



PROPOSED EAST ELEVATION
1:50@A1



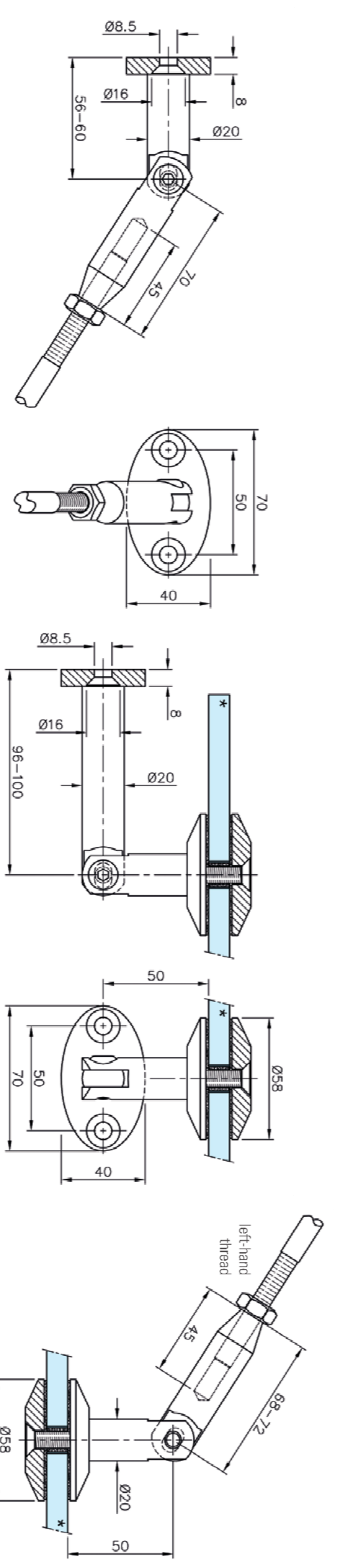
PROPOSED GROUND FLOOR PLAN
1:50@A1



PROPOSED SECTION B-B
1:50@A1

NEW GLASS CANOPY
for compliance with Design Criteria 4c of Lifetime Homes 'Main entrances should be covered'.

Backyard



GLASS CANOPY STAINLESS STEEL BRACKETS

PLANNING APPLICATION

ALL DIMENSIONS TO BE CHECKED ON SITE
WORK TO BE COMPLETED TO THE CONTRACT
AT ONCE BY THE CONTRACTOR

Contemporary Design Solutions

44 Great Marlborough Street
London
W1F 7JW Tel: 020 7348 4844
Telephone: 020 7348 9000 Fax: 020 7348 4844

Client

RISEFALL LTD

Project Title

Entrance Canopy
21A Ferndale Street
LONDON NW11 5EU

Drawing Title

Proposed Entrance Canopy

Scale 1:50@A1; 1:100@A3 Date September 2018

Drawn LV **Checked** -

Drawing No. 180920-A(3)1001