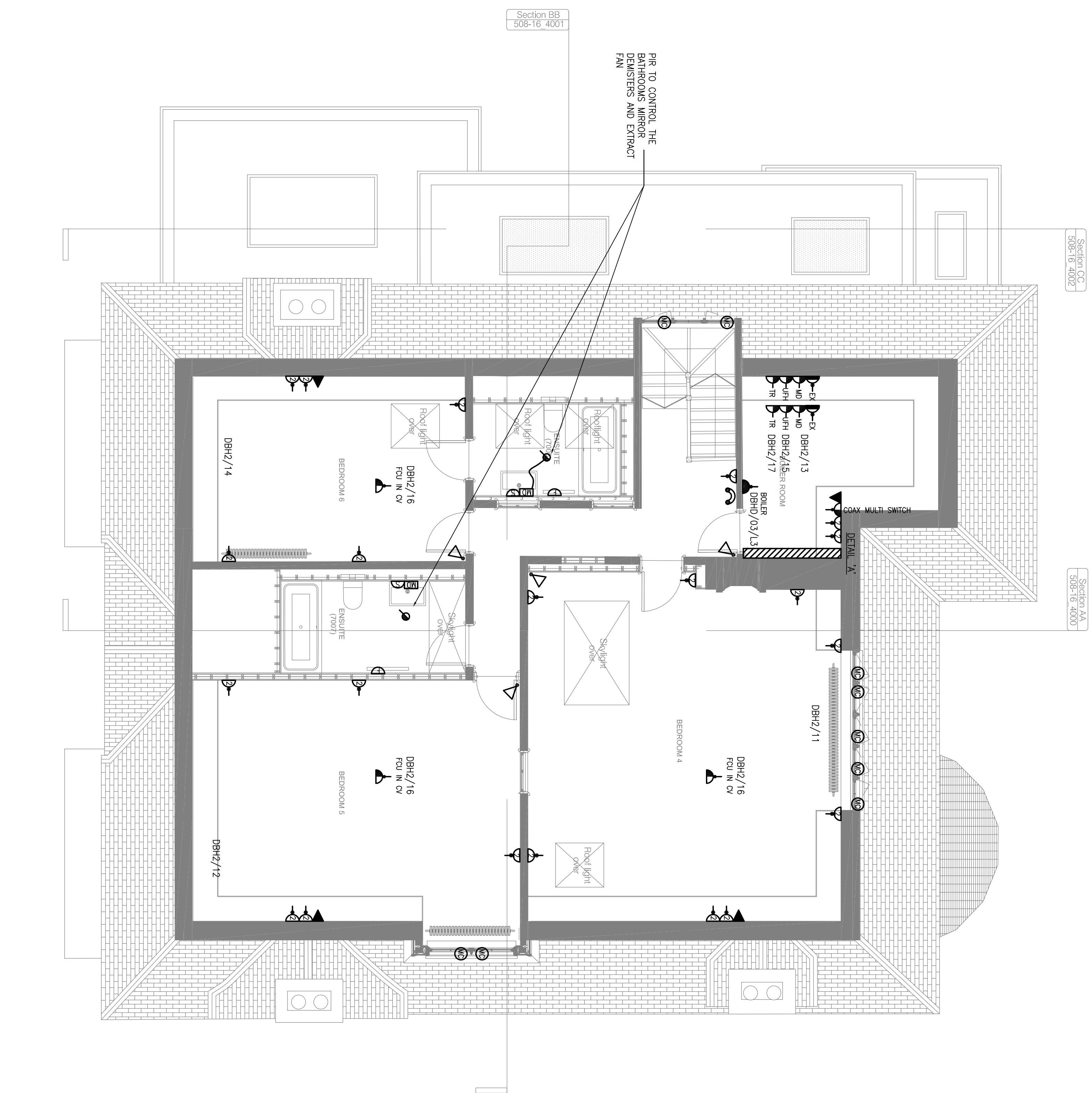
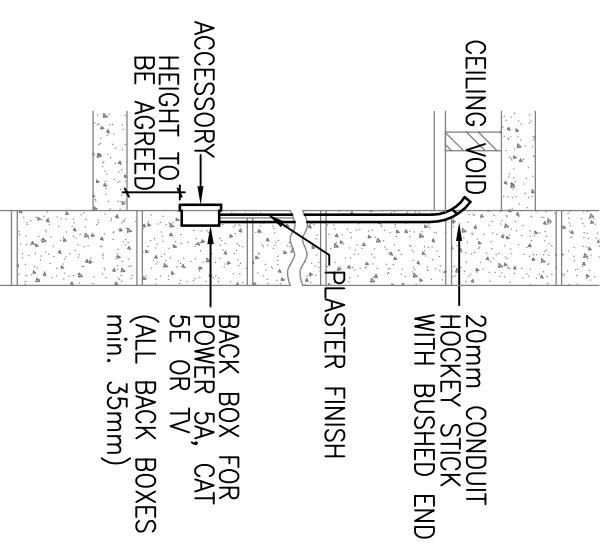


**NOTES**

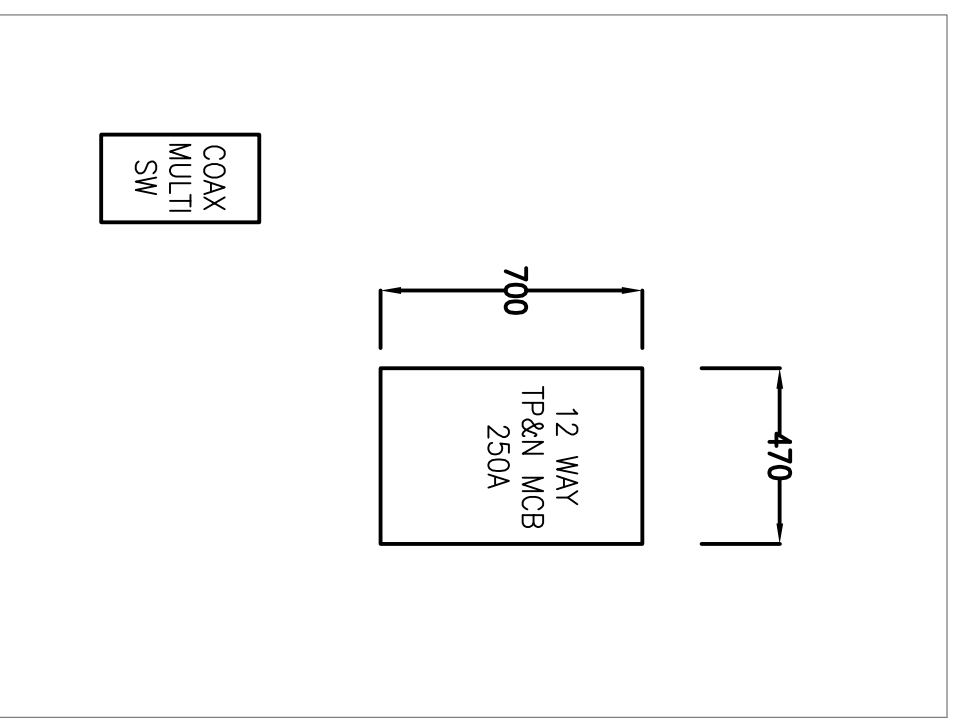
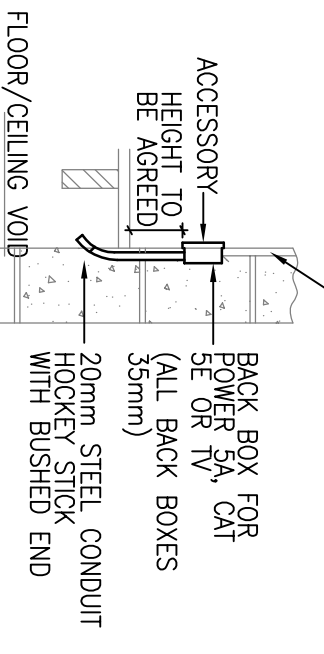
THESE LAYOUTS ARE TO BE READ IN CONJUNCTION WITH ALL OTHER CONTRACT DOCUMENTS  
 LV & EIV CABLES ARE TO BE KEPT AT LEAST 150mm APART AT ALL POINTS ALONG CABLE DISTRIBUTION ROUTES



TYPICAL DETAIL OF CONDUIT PROTECTION TO LOW LEVEL OUTLET SERVED FROM CEILING VOID ABOVE.



TYPICAL DETAIL OF CONDUIT PROTECTION TO LOW LEVEL OUTLET SERVED FROM FLOOR VOID



DETAIL 'A' @ 1:20

ELECTRICAL AND MECHANICAL FITTINGS AND/OR APPLIANCES, CONDUITS, PIPES, CABLES ETC. ARE INDICATED FOR TENDERING PURPOSES. GUIDANCE & COMPLETION OF INSTALLATION DRAWINGS, EXACT POSITIONS AND ROUTES SHALL BE SETTLED ON SITE IN RELATION TO OTHER SERVICES AND EXPOSURE AND TO THE ARCHITECT'S DETAILS AND SPECIFICATIONS. THE CONTRACTOR SHALL BE RESPONSIBLE FOR VERIFYING THE POSITIONS GIVEN (ON THE DRAWING OR IN THE SPECIFICATION) FINAL POSITIONS OF LIGHTING POINTS, MECHANICAL AND ELECTRICAL FITTINGS, FIXTURES AND/OR APPLIANCES MUST BE CHECKED WITH THE CONTRACT ADMINISTRATION BEFORE PROCEEDING.

REV.	DESCRIPTION	DATE	BY	CHKD	APPROVED
PL3	REVISED PLANNING ISSUE	1/6	M.W.	M.W.	
PL2	REVISED PLANNING ISSUE	SEPT'18/SEPT'18/SEPT'18	J.S.	M.W.	
PL1	INITIAL ISSUE (PLANNING)	FEB'18/FEB'18/FEB'18	J.C.	M.W.	
		JAN'18	JAN'18	JAN'18	

**Edward Pearce**  
 CONSULTING ENGINEERS

Edward Pearce LLP  
 Oak Square House  
 35 Ewell Road  
 Sutton, Surrey, KT6 6AF

THE ESTATE OFFICE

24 HEATH DRIVE  
 LONDON  
 NW3 7SB

ELECTRICAL SERVICES  
 SECOND FLOOR  
 SMALL POWER & ANCILLARIES

Scale	1:50 @ A1	Working Status	FOR PLANNING
Drawing No.	16/117-E06	Revision	PL3