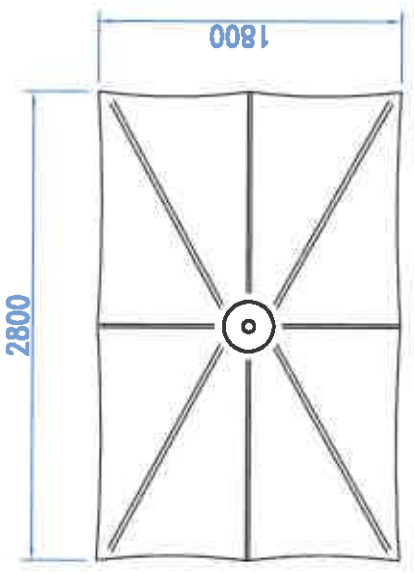


AEL CHABLIS UMBRELLA [2.8 x 1.8m]



PRODUCT: Chablis Parasol 2.8 x 1.8m

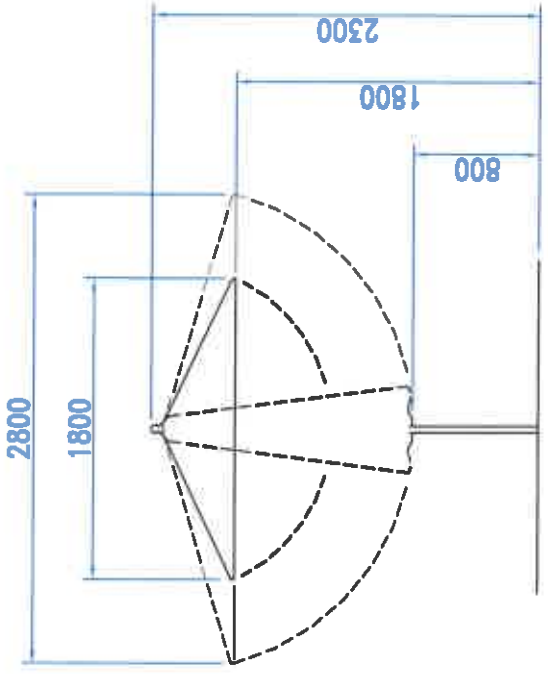
SIZE: 2.8 x 1.8m (providing area coverage of 5.04m²).

CANOPY: Manufactured in 8 panels from 285g spun polyester, treated with 3M Scotchgard to make the fabric rain & stain repellent.

FRAME: The umbrella pole is manufactured in two parts from stained hardwood 38mm in diameter. The joint is achieved by a sheathed solid brass tube section with a threaded screw. The umbrella consists of 8 hardwood ribs which are housed within a durable hardwood hub. A sliding block and brass locking pin is used to retain the canopy in an open position. The umbrella is operated using a double pulley system. Total frame weight: 6.35Kg.

RECOMMENDED SUPPORT BASE: Powder coated steel base plate (420mm²) with support sleeve. The sleeve is 320mm high and houses the umbrella pole. The pole is secured with a screw locking clamp. A polypropylene thermoplastic shim holds the pole in an upright position within the sleeve.

HEIGHTS: Height from ground to underside of open canopy: 1.8m. Height from ground to pole finial: 2.3m
With the umbrella inserted into the metal base, the heights are increased by 50mm.



DATE: 2007	DRAWN BY SRB	APPROVED: NJ
Technical Details for AEL Chablis Umbrella		SCALE: ---
2.8m x 1.8m		DRG NO. CHAB2.8-1.8

