

Air Conditioning
Technical Data

RXM-M9



TABLE OF CONTENTS

RXM-M9

1	Features	2
2	Specifications	3
	Capacity and Power input	3
	Capacity and Power input	4
	Capacity and Power input	4
	Capacity and Power input	5
	Capacity and Power input	6
	Capacity and Power input	6
	Capacity and Power input	7
	Technical Specifications	8
	Electrical Specifications	9
3	Electrical data	10
4	Capacity tables	12
	Cooling/Heating Capacity Tables	12
5	Dimensional drawings	25
6	Centre of gravity	26
7	Piping diagrams	28
8	Wiring diagrams	30
	Wiring Diagrams - Single Phase	30
9	Sound data	32
	Sound Pressure Spectrum	32
10	Operation range	35

1 Features

- Seasonal efficiency values up to A+++
- Choosing for an R-32 product, reduces the environmental impact with 68% compared to R-410A and leads directly to lower energy consumption thanks to its high energy efficiency
- Daikin outdoor units are neat, sturdy and can easily be mounted on a roof or terrace or simply placed against an outside wall
- Outdoor units are fitted with a swing compressor, renowned for its low noise and high energy efficiency
- Outdoor units for pair application
- Anti-corrosion treated outdoor heat exchanger fin

1



Outdoor unit
silent operation

2 Specifications

2-1 Capacity and Power input				FTXM20M/ RXM20M9	FTXM25M/ RXM25M9	FTXM35M/ RXM35M9	FTXM42M/ RXM42M9	FTXM50M/ RXM50M9	FTXM60M/ RXM60M9		
Indoor unit				FTXM20M2V1 B	FTXM25M2V1 B	FTXM35M2V1 B	FTXM42M2V1 B	FTXM50M2V1 B	FTXM60M2V1 B		
Outdoor unit				RXM20M3V1B 9	RXM25M3V1B 9	RXM35M3V1B 9	RXM42M3V1B 9	RXM50M3V1B 9	RXM60M3V1B 9		
Cooling capacity	Min.	kW		1.3		1.4	1.70		1.90		
		Btu/h		4,400.0		4,800.0	5,800		6,500		
		kcal/h		1,120.0		1,200.0	1,460		1,700		
	Nom.	kW		2.0	2.5	3.4	4.20	5.00	6.00		
		Btu/h		6,800.0	8,500.0	11,600.0	14,300	17,100	20,500		
		kcal/h		1,720.0	2,150.0	2,920.0	3,610	4,300	5,160		
	Max.	kW		2.6	3.2	4.0	5.00	5.30	6.70		
		Btu/h		8,900.0	11,000.0	13,600.0	17,100	18,100	22,900		
		kcal/h		2,240.0	2,750.0	3,440.0	4,300	4,560	5,800		
Heating capacity	Min.	kW		1.30		1.40	1.70				
		Btu/h		4,400.0		4,800.0	5,800				
		kcal/h		1,120.0		1,200.0	1,460		1,500		
	Nom.	kW		2.50	2.80	4.00	5.40	5.80	7.00		
		Btu/h		8,500.0	9,500.0	13,600.0	18,400	19,800	23,900		
		kcal/h		2,150.0	2,400.0	3,440.0	4,640	4,990	6,020		
	Max.	kW		3.50	4.70	5.20	6.00	6.50	8.00		
		Btu/h		11,900.0	16,000.0	17,700.0	20,500	22,200	27,300		
		kcal/h		3,010.0	4,040.0	4,470.0	5,160	5,590	6,900		
Power input	Cooling	Min.	kW		0.27		0.31	-			
		Nom.	kW		0.44	0.56	0.80	1.12	1.36	1.77	
		Max.	kW		0.63	0.78	1.04	-			
	Heating	Min.	kW		0.24		0.32	-			
		Nom.	kW		0.50	0.56	0.99	1.31	1.45	1.94	
		Max.	kW		0.91	1.22	1.67	-			
Seasonal efficiency (according to EN14825)	Cooling	Energy efficiency class		A+++			A++				
		Pdesign	kW		2.00	2.50	3.40	4.20	5.00	6.00	
		SEER		8.53		8.52	8.51	7.50	7.33	6.90	
		Annual energy consumption	kWh		83	103	140	196	239	304	
	Heating (Average climate)	Energy efficiency class		A+++			A++		A+		
		Pdesign	kW		2.30	2.40	2.50	4.00	4.60		
		SCOP/A		5.10			4.60		4.30		
		Annual energy consumption	kWh		632	659	686	1,216	1,400	1,496	
Current	Nominal running current (RLA) - 50Hz	Cooling	A		2.1	2.6	4.4	5.11	6.26	7.90	
		Heating	A		2.2	2.5	4.8	5.93	6.56	8.50	
Eurovent	Sound power level outdoor	Cooling	Nom.	dBA		59		61	62		63
	Sound power level indoor	Cooling	Nom.	dBA		57		60		59	60
	Piping length	Cooling	Measuring condition	m		5.0					
Nominal efficiency	EER		4.57		4.50	4.23	3.75	3.68	3.39		
	COP		5.00		4.04	4.12	4.00	3.61			
	Annual energy consumption		kWh		220	280	400	-			
	Energy labeling Directive	Cooling		A							
Heating		A									

Notes

See separate drawing for electrical data

Nominal cooling capacities are based on: indoor temperature: 27°CDB, 19°CWB, outdoor temperature: 35°CDB, equivalent refrigerant piping: 5m, level difference: 0m.

Nominal heating capacities are based on: indoor temperature: 20°CDB, outdoor temperature: 7°CDB, 6°CWB, equivalent refrigerant piping: 5m, level difference: 0m.

2 Specifications

2

2-2 Capacity and Power input				FDXM25F3/RXM25M9	FDXM35F3/RXM35M9	FDXM50F3/RXM50M9	FDXM60F3/RXM60M9	
Indoor unit				FDXM25F3V1B	FDXM35F3V1B	FDXM25F3V1B	FDXM60F3V1B	
Outdoor unit				RXM25M3V1B9	RXM35M3V1B9	RXM50M3V1B9	RXM60M3V1B9	
Cooling capacity	Nom.			kW	2.40	3.40	5.00	6.00
				Btu/h	8,189	11,601	17,061	20,473
				kcal/h	2,064	2,923	4,299	5,159
Heating capacity	Nom.			kW	3.20	4.00	5.80	7.00
				Btu/h	10,919	13,649	19,790	23,885
				kcal/h	2,752	3,439	4,987	6,019
Power input	Cooling	Nom.		kW	0.64	1.14	1.63	2.05
	Heating	Nom.		kW	0.80	1.15	1.87	2.18
Seasonal efficiency (according to EN14825)	Cooling	Energy efficiency class			A+	A	A+	A
		Pdesign		kW	2.40	3.40	5.00	6.00
		SEER			5.68	5.26	5.77	5.56
		Annual energy consumption		kWh	148	226	303	315
	Heating (Average climate)	Energy efficiency class			A+	A		
		Pdesign		kW	2.60	2.90	4.00	4.60
		SCOP/A			4.24	3.88	3.93	3.80
		Annual energy consumption		kWh	858	1,046	1,424	1,693
Eurovent	Sound power level outdoor	Cooling	Nom.	dBA	59	61	62	63
	Sound power level indoor	Cooling	Nom.	dBA	53		55	56
	Piping length	Cooling	Measuring condition	m	5.0			
Nominal efficiency	EER				3.77	2.98	3.06	2.93
	COP				4.00	3.48	3.10	3.21
	Annual energy consumption			kWh	318 (1)	570 (1)	816 (1)	1,024 (1)
	Energy labeling Directive	Cooling				A	C	B
Heating					A	B	D	C

Notes

(1) Nominal heating capacities are based on: indoor temperature: 20°CDB, outdoor temperature: 7°CDB, 6°CWB, equivalent refrigerant piping: 5m, level difference: 0m.

See separate drawing for electrical data

See separate drawing for operation range

Nominal cooling capacities are based on: indoor temperature: 27°CDB, 19°CWB, outdoor temperature: 35°CDB, equivalent refrigerant piping: 5m, level difference: 0m.

2-3 Capacity and Power input				FVXM25F/RXM25M9	FVXM35F/RXM35M9	FVXM50F/RXM50M9	
Indoor unit				FVXM25FV1B	FVXM35FV1B	FVXM50FV1B	
Outdoor unit				RXM25M3V1B9	RXM35M3V1B9	RXM50M3V1B9	
Cooling capacity	Nom.			kW	2.50	3.50	5.00
				Btu/h	8,530	11,943	17,061
				kcal/h	2,150	3,009	4,299
Heating capacity	Nom.			kW	3.40	4.50	5.80
				Btu/h	11,601	15,355	19,790
				kcal/h	2,923	3,869	4,987
Power input	Cooling	Nom.		kW	0.60	1.09	1.55
	Heating	Nom.		kW	0.77	1.19	1.60

2 Specifications

2-3 Capacity and Power input				FVXM25F/RXM25M9	FVXM35F/RXM35M9	FVXM50F/RXM50M9	
Seasonal efficiency (according to EN14825)	Cooling	Energy efficiency class		A++			
		Pdesign	kW	2.50	3.50	5.00	
		SEER		7.20	6.43	6.80	
	Heating (Average climate)	Annual energy consumption		kWh	120	190	257
		Energy efficiency class		A+			
		Pdesign	kW	2.40	2.90	4.20	
SCOP/A		4.56	4.00				
Annual energy consumption		kWh	737	1,015	1,471		
Eurovent	Sound power level outdoor	Cooling	Nom.	dBA	59	61	62
	Sound power level indoor	Cooling	Nom.	dBA	52		57
	Piping length	Cooling	Measuring condition	m	5.0		
Nominal efficiency	EER				4.20	3.21	3.23
	COP				4.42	3.78	3.63
	Annual energy consumption		kWh		298	545	773
	Energy labeling Directive	Cooling				A	
Heating				A			

Notes

See separate drawing for electrical data

See separate drawing for operation range

Nominal cooling capacities are based on: indoor temperature: 27°CDB, 19°CWB, outdoor temperature: 35°CDB, equivalent refrigerant piping: 5m, level difference: 0m.

Nominal heating capacities are based on: indoor temperature: 20°CDB, outdoor temperature: 7°CDB, 6°CWB, equivalent refrigerant piping: 5m, level difference: 0m.

2-4 Capacity and Power input				FFA25A/RXM25M9	FFA35A/RXM35M9	FFA50A/RXM50M9	FFA60A/RXM60M9		
Indoor unit				FFA25A2VEB	FFA35A2VEB	FFA50A2VEB	FFA60A2VEB		
Outdoor unit				RXM25M3V1B9	RXM35M3V1B9	RXM50M3V1B9	RXM60M3V1B9		
Cooling capacity	Nom.			kW	2.50	3.40	5.00	5.70	
				Btu/h	8,530	11,601	17,061	19,449	
				kcal/h	2,150	2,923	4,299	4,901	
Heating capacity	Nom.			kW	3.20	4.20	5.80	7.00	
				Btu/h	10,919	14,331	19,790	23,885	
				kcal/h	2,752	3,611	4,987	6,019	
Power input	Cooling	Nom.	kW	0.55	0.89	1.54	1.87		
	Heating	Nom.	kW	0.82	1.20	1.66	2.05		
Seasonal efficiency (according to EN14825)	Cooling	Energy efficiency class		A++		A+			
		Pdesign	kW	2.50	3.40	5.00	5.70		
		SEER		6.17	6.38	5.98	5.76		
	Annual energy consumption		kWh	142	186	292	347		
	Heating (Average climate)	Energy efficiency class		A+		A		A+	
		Pdesign	kW	2.31	3.10	3.84	3.96		
SCOP/A		4.24	4.10	3.90	4.04				
Annual energy consumption		kWh	762	1,058	1,377	1,372			
Eurovent	Sound power level outdoor	Cooling	Nom.	dBA	59	61	62	63	
	Sound power level indoor	Cooling	Nom.	dBA	48	51	56	60	
	Piping length	Cooling	Measuring condition	m	5.0				

2 Specifications

2-4 Capacity and Power input			FFA25A/RXM25M9	FFA35A/RXM35M9	FFA50A/RXM50M9	FFA60A/RXM60M9
Nominal efficiency	EER		4.57	3.81	3.24	3.05
	COP		3.90	3.50	3.49	3.41
	Annual energy consumption	kWh	273 (1)	446 (1)	771 (1)	934 (1)
	Energy labeling Directive	Cooling	A			
Heating		A	B			

Notes

(1) Nominal heating capacities are based on: indoor temperature: 20°CDB, outdoor temperature: 7°CDB, 6°CWB, equivalent refrigerant piping: 5m, level difference: 0m.

See separate drawing for electrical data

See separate drawing for operation range

Nominal cooling capacities are based on: indoor temperature: 27°CDB, 19°CWB, outdoor temperature: 35°CDB, equivalent refrigerant piping: 5m, level difference: 0m.

2-5 Capacity and Power input				FBA35A/RXM35M9	FBA50A/RXM50M9	FBA60A/RXM60M9	
Indoor unit				FBA35A2VEB	FBA50A2VEB	FBA60A2VEB	
Outdoor unit				RXM35M3V1B9	RXM50M3V1B9	RXM60M3V1B9	
Cooling capacity	Nom.	kW		3.40	5.00	5.70	
		Btu/h		11,601	17,061	19,449	
		kcal/h		2,923	4,299	4,901	
Heating capacity	Nom.	kW		4.00	5.50	7.00	
		Btu/h		13,649	18,767	23,885	
		kcal/h		3,439	4,729	6,019	
Power input	Cooling	Nom.	kW	0.85	1.41	1.64	
	Heating	Nom.	kW	1.00	1.44	1.89	
Seasonal efficiency (according to EN14825)	Cooling	Energy efficiency class		A++			
		Pdesign	kW	3.40	5.00	5.70	
		SEER		6.23	6.27	5.91	
		Annual energy consumption	kWh	191	279	337	
	Heating (Average climate)	Energy efficiency class		A+			
		Pdesign	kW	2.90	4.40	4.60	
		SCOP/A		4.07	4.06	4.01	
		Annual energy consumption	kWh	996	1,517	1,607	
Eurovent	Sound power level outdoor	Cooling	Nom.	dB(A)	61	62	63
	Sound power level indoor	Cooling	Nom.	dB(A)	60		56
	Piping length	Cooling	Measuring condition	m	5.0		
Nominal efficiency	EER			4.02	3.55	3.48	
	COP			4.02	3.83	3.71	
	Annual energy consumption	kWh		423	704	818	
	Energy labeling Directive	Cooling	A				
		Heating	A				

Notes

See separate drawing for electrical data

See separate drawing for operation range

Nominal cooling capacities are based on: indoor temperature: 27°CDB, 19°CWB, outdoor temperature: 35°CDB, equivalent refrigerant piping: 5m, level difference: 0m.

Nominal heating capacities are based on: indoor temperature: 20°CDB, outdoor temperature: 7°CDB, 6°CWB, equivalent refrigerant piping: 5m, level difference: 0m.

2-6 Capacity and Power input				FCAG35A/RXM35M9	FCAG50A/RXM50M9	FCAG60A/RXM60M9
Indoor unit				FCAG35AVEB	FCAG50AVEB	FCAG60AVEB
Outdoor unit				RXM35M3V1B9	RXM50M3V1B9	RXM60M3V1B9

2 Specifications

2-6 Capacity and Power input				FCAG35A/RXM35M9	FCAG50A/RXM50M9	FCAG60A/RXM60M9		
Cooling capacity	Nom.			kW	3.50	5.00	5.70	
				Btu/h	11,943	17,061	19,449	
				kcal/h	3,009	4,299	4,901	
Heating capacity	Nom.			kW	4.20	6.00	7.00	
				Btu/h	14,331	20,473	23,885	
				kcal/h	3,611	5,159	6,019	
Power input	Cooling	Nom.			kW	0.94	1.39	1.72
	Heating	Nom.			kW	1.11	1.62	2.07
Seasonal efficiency (according to EN14825)	Cooling	Energy efficiency class			A++			
		Pdesign			kW	3.50	5.00	5.70
		SEER				6.35	6.54	6.40
		Annual energy consumption			kWh	193	266	312
	Heating (Average climate)	Energy efficiency class			A++		A+	
		Pdesign			kW	3.32	4.36	4.71
		SCOP/A				4.90	4.30	4.20
		Annual energy consumption			kWh	948	1,419	1,569
Eurovent	Sound power level outdoor	Cooling	Nom.	dBA	61	62	63	
	Sound power level indoor	Cooling	Nom.	dBA	49		51	
	Piping length	Cooling	Measuring condition	m	5.0			
Nominal efficiency	EER				3.72	3.58	3.31	
	COP				3.77	3.70	3.38	
	Annual energy consumption			kWh	471	697	862	
	Energy labeling Directive	Cooling		A				
Heating		A		C				

Notes

See separate drawing for electrical data

See separate drawing for operation range

Nominal cooling capacities are based on: indoor temperature: 27°CDB, 19°CWB, outdoor temperature: 35°CDB, equivalent refrigerant piping: 5m, level difference: 0m.

Nominal heating capacities are based on: indoor temperature: 20°CDB, outdoor temperature: 7°CDB, 6°CWB, equivalent refrigerant piping: 5m, level difference: 0m.

2-7 Capacity and Power input				FHA35A/RXM35M9	FHA50A/RXM50M9	FHA60A/RXM60M9		
Indoor unit				FHA35AVEB	FHA50AVEB	FHA60AVEB		
Outdoor unit				RXM35M3V1B9	RXM50M3V1B9	RXM60M3V1B9		
Cooling capacity	Nom.			kW	3.40	5.00	5.70	
				Btu/h	11,601	17,061	19,449	
				kcal/h	2,923	4,299	4,901	
Heating capacity	Nom.			kW	4.00	6.00	7.20	
				Btu/h	13,649	20,473	24,567	
				kcal/h	3,439	5,159	6,191	
Power input	Cooling	Nom.			kW	0.91	1.56	1.73
	Heating	Nom.			kW	0.98	1.79	2.17

2 Specifications

2

2-7 Capacity and Power input					FHA35A/RXM35M9	FHA50A/RXM50M9	FHA60A/RXM60M9
Seasonal efficiency (according to EN14825)	Cooling	Energy efficiency class			A++	A+	
		Pdesign	kW		3.40	5.00	5.70
		SEER			6.24	5.92	6.08
		Annual energy consumption	kWh		191	295	328
	Heating (Average climate)	Energy efficiency class			A+	A	
		Pdesign	kW		3.10	4.35	4.71
		SCOP/A			4.43	3.86	3.87
		Annual energy consumption	kWh		979	1,578	1,704
Eurovent	Sound power level outdoor	Cooling	Nom.	dBA	61	62	63
	Sound power level indoor	Cooling	Nom.	dBA	53	54	
	Piping length	Cooling	Measuring condition	m	5.0		
Nominal efficiency	EER				3.73	3.21	3.29
	COP				4.08	3.35	3.32
	Annual energy consumption			kWh	456 (1)	780 (1)	867 (1)
	Energy labeling Directive	Cooling			A	B	A
Heating			A	C			

Notes

(1) Nominal heating capacities are based on: indoor temperature: 20°CDB, outdoor temperature: 7°CDB, 6°CWB, equivalent refrigerant piping: 5m, level difference: 0m.

See separate drawing for electrical data

See separate drawing for operation range

Nominal cooling capacities are based on: indoor temperature: 27°CDB, 19°CWB, outdoor temperature: 35°CDB, equivalent refrigerant piping: 5m, level difference: 0m.

2-8 Technical Specifications				RXM20M9	RXM25M9	RXM35M9	RXM42M9	RXM50M9	RXM60M9
Capacity control	Method			Variable (inverter)					
Casing	Colour			Ivory white					
Dimensions	Unit	Height	mm	550			735		
		Width	mm	765			825		
		Depth	mm	285			300		
	Packed unit	Height	mm	612			797		
		Width	mm	906			992		
		Depth	mm	402			437		
Weight	Unit		kg	32			47		
	Packed unit		kg	34			50		
Packing	Weight		kg	-			3		
Heat exchanger	Length		mm	805			845		
	Rows	Quantity		2					
	Fin pitch		mm	1.40			1.80		
	Stages	Quantity		24			32		
	Passes	Quantity		3.1			5.8		
	Tube type		ø7 Hi-XD			ø8 Hi-XA			
	Fin	Type		Waffle fin (PE)					
	Compressor	Model			1YC25GXD#C			2YC40JXD#C	
Oil Amount		cm³	-			650			
Type			Hermetically sealed swing compressor						
Output		W	800.0			1,300			
Oil Type		-			FW68DA				

2 Specifications

2-8 Technical Specifications					RXM20M9	RXM25M9	RXM35M9	RXM42M9	RXM50M9	RXM60M9	
Fan	Type				Propeller fan			Propeller			
	Air flow rate	Cooling	Nom.	m ³ /min	36.0			50.4			
				cfm	1,271			1,780			
		Heating	Nom.	m ³ /min	28.3			40.4			
cfm				999			1,427				
Fan motor	Model				ARW34W8P50DA			ARW7406DA			
	Output				W	50			68		
	Speed	Cooling		High	rpm	920			780		
				Nom.	rpm	920			780		
				Low	rpm	800			690		620
				Super low	rpm	-			-		
	Heating			High	rpm	860			730		
				Nom.	rpm	800			730		
Low				rpm	400			530			
Super low				rpm	-			-			
Sound power level	Cooling			dBA	59		61	62		63	
	Heating			dBA	59		61	62		63	
Sound pressure level	Cooling	Nom.		dBA	46		49	48			
	Heating	Nom.		dBA	47		49	48	49		
Refrigerant	Type				R-32						
	Charge				kg	0.76		1.30	1.40	1.45	
					TCO ₂ eq	0.52		0.88	0.95	0.98	
	GWP				675.0						
Piping connections	Liquid	OD		mm	6.35		6.4				
	Gas	OD		mm	9.50		12.7				
	Drain	OD		mm	18						
		ID		mm	-						
	Piping length	OU - IU	Max.	m	20.0		30				
		System	Chargeless	m	10.0		-				
	Additional refrigerant charge				kg/m	0.02 (for piping length exceeding 10m)					
	Level difference	IU - OU	Max.	m	20.0						
Heat insulation				Both liquid and gas pipes			-				

Standard Accessories : Drain plug; Quantity : 1;

Standard Accessories : Installation manual; Quantity : 1;

Standard Accessories : Refrigerant charge label; Quantity : 1;

Standard Accessories : Multilingual fluorinated greenhouse gases labels; Quantity : 1;

2-9 Electrical Specifications					RXM20M9	RXM25M9	RXM35M9	RXM42M9	RXM50M9	RXM60M9
Power supply	Phase				1~					
	Frequency				Hz	50				
	Voltage				V	220-240				
Current - 50Hz	Maximum fuse amps (MFA)			A	-					
Current - 60Hz	Maximum fuse amps (MFA)			A	-					
Wiring connections	For power supply			Quantity	3					
				Remark	Earth wire included					
	For connection with indoor			Quantity	4					
				Remark	Earth wire included					

Notes

Contains fluorinated greenhouse gases

See separate drawing for operation range

See separate drawing for electrical data

3 Electrical data

3 - 1 Electrical Data

3

RXM20-35M9

Unit combination restrictions		Power supply				COMP		OFM		IFM		
Outdoor unit	Indoor unit	Hz	Voltage	Voltage range	MCA	MFA	RHz	RLA	kW	FLA	kW	FLA
RXM20M3V1B9	FTXM20M2V1B	50	220	MAX. 50Hz 264V MIN. 50Hz 198V	9,88	10	35	2,0	0,024	0,23	0,022	0,22
		50	230					2,1				
		50	240					2,2				
RXM25M3V1B9	FTXM25M2V1B	50	220	MAX. 50Hz 264V MIN. 50Hz 198V	10,82	13	46	2,6	0,024	0,23	0,022	0,22
		50	230					2,7				
		50	240					2,8				
RXM25M3V1B9	FFA25A2VEB	50	220	MAX. 50Hz 264V MIN. 50Hz 198V	10,79	13	40	2,3	0,023	0,23	0,050	0,20
		50	230					2,5				
		50	240					2,6				
RXM25M3V1B9	FDXM25F3V1B	50	220	MAX. 50Hz 264V MIN. 50Hz 198V	10,92	13	39	2,1	0,023	0,23	0,034	0,30
		50	230					2,2				
		50	240					2,3				
RXM25M3V1B9	FNA25A2VEB	50	220	MAX. 50Hz 264V MIN. 50Hz 198V	11,17	13	43	2,3	0,023	0,23	0,034	0,50
		50	230					2,4				
		50	240					2,5				
RXM35M3V1B9	FTXM35M2V1B	50	220	MAX. 50Hz 264V MIN. 50Hz 198V	10,86	13	60	4,2	0,023	0,23	0,028	0,25
		50	230					4,4				
		50	240					4,6				
RXM35M3V1B9	FCAG35AVEB	50	220	MAX. 50Hz 264V MIN. 50Hz 198V	10,92	13	63	3,6	0,023	0,23	0,048	0,30
		50	230					3,8				
		50	240					4,0				
RXM35M3V1B9	FBA35A2VEB	50	220	MAX. 50Hz 264V MIN. 50Hz 198V	12,29	13	56	3,3	0,023	0,23	0,089	1,40
		50	230					3,5				
		50	240					3,6				
RXM35M3V1B9	FHA35AVEB	50	220	MAX. 50Hz 264V MIN. 50Hz 198V	11,29	13	64	3,8	0,023	0,23	0,090	0,60
		50	230					4,0				
		50	240					4,2				
RXM35M3V1B9	FFA35A2VEB	50	220	MAX. 50Hz 264V MIN. 50Hz 198V	10,79	13	64	3,6	0,023	0,23	0,050	0,20
		50	230					3,8				
		50	240					4,0				
RXM35M3V1B9	FDXM35F3V1B	50	220	MAX. 50Hz 264V MIN. 50Hz 198V	10,92	13	65	3,6	0,023	0,23	0,034	0,30
		50	230					3,8				
		50	240					3,9				
RXM35M3V1B9	FNA35A2VEB	50	220	MAX. 50Hz 264V MIN. 50Hz 198V	11,17	13	65	3,6	0,023	0,23	0,034	0,50
		50	230					3,8				
		50	240					3,9				
ARXM25M3V1B9	ATXM25M2V1B	50	220	MAX. 50Hz 264V MIN. 50Hz 198V	10,82	13	46	2,6	0,024	0,23	0,022	0,22
		50	230					2,7				
		50	240					2,8				
ARXM35M3V1B9	ATXM35M2V1B	50	220	MAX. 50Hz 264V MIN. 50Hz 198V	10,86	13	60	4,2	0,023	0,23	0,028	0,25
		50	230					4,4				
		50	240					4,6				

Notes

- 1) The RLA is based on the following conditions.
Outdoor temperature 35°C DB
Indoor temperature 27°C DB / 19°C WB
- 2) Select the wire size according to the MCA.
- 3) The maximum allowable voltage that is unbalanced between phases is 2%.
- 4) Use a circuit breaker instead of a fuse.

Symbols

- MCA: Minimum Circuit Ampere [A]
 RLA: Rated load amps [A]
 OFM: Outdoor fan motor
 FLA: Full Load Ampere [A]
 kW: Fan motor rated output [kW]
 RHz: Rated operating frequency [Hz]
 IFM: Indoor fan motor
 MFA: Maximum Fuse Ampere [A]

3 Electrical data

3 - 1 Electrical Data

RXM42-60M9

Unit combination restrictions		Power supply					COMP		OFM		IFM	FLA
Outdoor unit	Indoor unit	Hz	Voltage	Voltage	MCA	MFA	RHz	RLA	kW	FLA	kW	
RXM42M3V1B9	FTXM42M2V1B	50	220	MAX. 50Hz	11,24	13	56,5	4,8	0,068	0,34	0,028	0,22
		50	230	264V				5,0				
		50	240	MIN. 50Hz				5,2				
RXM50M3V1B9	FTXM50M2V1B	50	220	MAX. 50Hz	11,65	13	53,5	4,5	0,068	0,34	0,046	0,6
		50	230	264V				4,7				
		50	240	MIN. 50Hz				4,9				
RXM50M3V1B9	FCAG50AVEB	50	220	MAX. 50Hz	11,35	13	64	5,8	0,068	0,34	0,048	0,3
		50	230	264V				6,0				
		50	240	MIN. 50Hz				6,3				
RXM50M3V1B9	FBA50A2VEB	50	220	MAX. 50Hz	12,45	13	59	5,8	0,068	0,34	0,089	1,4
		50	230	264V				6,1				
		50	240	MIN. 50Hz				6,4				
RXM50M3V1B9	FHA50AVEB	50	220	MAX. 50Hz	11,65	13	64	6,0	0,068	0,34	0,090	0,6
		50	230	264V				6,3				
		50	240	MIN. 50Hz				6,5				
RXM50M3V1B9	FFA50A2VEB	50	220	MAX. 50Hz	11,45	13	62	6,0	0,068	0,34	0,050	0,4
		50	230	264V				6,2				
		50	240	MIN. 50Hz				6,5				
RXM50M3V1B9	FDXM50F3V1B	50	220	MAX. 50Hz	11,95	13	61	6,0	0,068	0,34	0,060	0,9
		50	230	264V				6,3				
		50	240	MIN. 50Hz				6,5				
RXM50M3V1B9	FNA50A2VEB	50	220	MAX. 50Hz	11,55	13	61	6,0	0,068	0,34	0,060	0,5
		50	230	264V				6,3				
		50	240	MIN. 50Hz				6,5				
RXM60M3V1B9	FTXM60M2V1B	50	220	MAX. 50Hz	13,53	16	73	5,5	0,068	0,34	0,046	0,6
		50	230	264V				5,7				
		50	240	MIN. 50Hz				5,9				
RXM60M3V1B9	FCAG60AVEB	50	220	MAX. 50Hz	13,23	16	78	7,9	0,068	0,34	0,048	0,3
		50	230	264V				8,3				
		50	240	MIN. 50Hz				8,7				
RXM60M3V1B9	FBA60A2VEB	50	220	MAX. 50Hz	14,23	16	64	6,3	0,068	0,34	0,070	1,3
		50	230	264V				6,6				
		50	240	MIN. 50Hz				6,9				
RXM60M3V1B9	FHA60AVEB	50	220	MAX. 50Hz	13,53	16	71	7,0	0,068	0,34	0,091	0,6
		50	230	264V				7,4				
		50	240	MIN. 50Hz				7,7				
RXM60M3V1B9	FFA60A2VEB	50	220	MAX. 50Hz	13,53	16	70	7,0	0,068	0,34	0,050	0,6
		50	230	264V				7,3				
		50	240	MIN. 50Hz				7,6				
RXM60M3V1B9	FDXM60F3V1B	50	220	MAX. 50Hz	13,83	16	72	7,4	0,068	0,34	0,060	0,9
		50	230	264V				7,7				
		50	240	MIN. 50Hz				8,1				
RXM60M3V1B9	FNA60A2VEB	50	220	MAX. 50Hz	13,53	16	72	7,4	0,068	0,34	0,060	0,6
		50	230	264V				7,7				
		50	240	MIN. 50Hz				8,1				
ARXM50M3V1B9	ATXM50M2V1B	50	220	MAX. 50Hz	11,65	13	53,5	4,5	0,068	0,34	0,046	0,6
		50	230	264V				4,7				
		50	240	MIN. 50Hz				4,9				

Notes

- 1) The RLA is based on the following conditions.
Outdoor temperature 35°C DB
Indoor temperature 27°C DB / 19°C WB
- 2) Select the wire size according to the MCA.
- 3) The maximum allowable voltage that is unbalanced between phases is 2%.

Symbols

- MCA: Minimum Circuit Ampere [A]
- MFA: Maximum Fuse Ampere [A]
- RLA: Rated load amps [A]
- OFM: Outdoor fan motor
- IFM: Indoor fan motor
- FLA: Full Load Ampere [A]
- kW: Fan motor rated output [kW]
- RHz: Rated operating frequency [Hz]

4 Capacity tables

4 - 1 Cooling/Heating Capacity Tables

4

FTXM20M / RXM20M9

Cooling 220-240V 50Hz

AFR	11,1
BF	0,16

1	2	3																	
		20			25			30			32			35			40		
		TC	SHC	PI	TC	SHC	PI	TC	SHC	PI	TC	SHC	PI	TC	SHC	PI	TC	SHC	PI
14	20	2,05	1,76	0,34	1,96	1,72	0,37	1,86	1,68	0,40	1,83	1,66	0,42	1,77	1,64	0,44	1,68	1,59	0,47
16	22	2,14	1,76	0,34	2,05	1,69	0,37	1,95	1,65	0,41	1,92	1,64	0,42	1,86	1,62	0,44	1,77	1,58	0,47
18	25	2,23	1,85	0,34	2,14	1,81	0,38	2,05	1,78	0,41	2,01	1,76	0,42	1,95	1,74	0,44	1,86	1,70	0,47
19	27	2,28	1,98	0,34	2,19	1,95	0,38	2,09	1,91	0,41	2,06	1,90	0,42	2,00	1,88	0,44	1,91	1,84	0,47
22	30	2,42	1,92	0,35	2,32	1,89	0,38	2,23	1,86	0,41	2,19	1,85	0,42	2,14	1,83	0,44	2,05	1,80	0,47
24	32	2,51	1,88	0,35	2,42	1,86	0,38	2,32	1,83	0,41	2,29	1,82	0,43	2,23	1,80	0,44	2,14	1,77	0,48

Heating 220-240V 50Hz

AFR	10,4
-----	------

2	4											
	-15		-10		-5		0		6		10	
	TC	PI	TC	PI	TC	PI	TC	PI	TC	PI	TC	PI
15	1,19	0,32	1,43	0,34	1,67	0,36	2,25	0,46	2,59	0,49	2,81	0,51
20	1,12	0,33	1,36	0,35	1,60	0,37	2,16	0,47	2,50	0,50	2,73	0,52
22	1,09	0,34	1,33	0,36	1,57	0,37	2,13	0,48	2,47	0,50	2,69	0,52
24	1,06	0,34	1,30	0,36	1,54	0,38	2,09	0,48	2,43	0,51	2,66	0,53
25	1,04	0,34	1,28	0,36	1,52	0,38	2,07	0,49	2,41	0,51	2,64	0,53
27	1,01	0,35	1,25	0,37	1,49	0,38	2,04	0,49	2,38	0,52	2,61	0,54

Symbols

TC: Total capacity [kW]

PI: Power input [kW]

SHC: Sensible heat capacity [kW]

AFR: Air flow rate [m³/min]

BF: Bypass factor

1 Indoor air temperature [°C DB]

2 Indoor air temperature [°C WB]

3 Outdoor air temperature [°C DB]

4 Outdoor air temperature [°C WB]

Notes

- The capacities are based on the following conditions:

Corresponding refrigerant piping length: 5.0 m
Level difference: 0m

- The bold cells indicate the standard conditions.

Rated operating frequency [Hz]

3D099850C

FDXM25F3 / RXM25M9

Cooling 50 Hz 220 - 240 V

AFR	8,7
BF	0,17

Indoor temperature		Outdoor temperature [°C DB]																	
EWB	EDB	20			25			30			32			35			40		
°C	°C	TC	SHC	PI	TC	SHC	PI	TC	SHC	PI	TC	SHC	PI	TC	SHC	PI	TC	SHC	PI
14,0	20	2,46	1,94	0,49	2,35	1,88	0,54	2,24	1,83	0,59	2,19	1,81	0,61	2,12	1,78	0,63	2,01	1,73	0,68
16,0	22	2,57	1,91	0,50	2,46	1,86	0,54	2,35	1,81	0,59	2,30	1,79	0,61	2,23	1,76	0,64	2,12	1,71	0,68
18,0	25	2,68	2,01	0,50	2,57	1,97	0,55	2,46	1,92	0,59	2,41	1,90	0,61	2,34	1,87	0,64	2,23	1,83	0,69
19,0	27	2,74	2,14	0,50	2,62	2,09	0,55	2,51	2,05	0,59	2,47	2,03	0,61	2,40	2,00	0,64	2,29	1,96	0,69
22,0	30	2,90	2,07	0,50	2,79	2,03	0,55	2,68	1,99	0,60	2,63	1,97	0,62	2,57	1,95	0,65	2,45	1,91	0,69
24,0	32	3,01	2,02	0,51	2,90	1,98	0,55	2,79	1,95	0,60	2,74	1,93	0,62	2,68	1,91	0,65	2,56	1,88	0,70

Heating 50 Hz 220 - 240 V

AFR	8,7
-----	-----

Indoor temperature		Outdoor temperature [°C WB]											
EDB	°C	-15		-10		-5		0		6		10	
°C	°C	TC	PI	TC	PI	TC	PI	TC	PI	TC	PI	TC	PI
15,0	15,0	1,49	0,64	1,79	0,68	2,09	0,71	2,39	0,74	3,31	0,78	3,60	0,81
20,0	20,0	1,40	0,66	1,70	0,69	2,00	0,73	2,30	0,76	3,20	0,80	3,49	0,83
22,0	22,0	1,36	0,67	1,66	0,70	1,96	0,73	2,26	0,77	3,16	0,81	3,44	0,83
24,0	24,0	1,32	0,68	1,62	0,71	1,92	0,74	2,22	0,77	3,11	0,81	3,40	0,84
25,0	25,0	1,30	0,68	1,60	0,71	1,90	0,75	2,20	0,78	3,09	0,82	3,38	0,84
27,0	27,0	1,27	0,69	1,57	0,72	1,87	0,75	2,17	0,79	3,05	0,83	3,33	0,85

Symbols

AFR : Air flow rate [m³/min]
 BF : Bypass factor
 EWB : Entering wet-bulb temperature [°C WB]
 EDB : Entering dry-bulb temperature [°C DB]
 TC : Total capacity [kW]
 SHC : Sensible heat capacity [kW]
 PI : Power input [kW]

Notes

- The ratings shown are net capacities which include a deduction for indoor fan motor heat.
- On the figure the □ mark shows the rated capacity and rated coefficient of the power input.
- The total capacity, power input and sensible heat capacity must be calculated by interpolation, using the figures in the table (figures not in the table may not be used in the calculation).
- In case the sensible heat capacity is not mentioned in the table, please calculate it using an approximation between two values in direct proportion.
- The capacities are based on the following conditions:
Corresponding refrigerant piping length: 5 m
Level difference: 0m
- The air flow rate and bypass factor are mentioned in the table.

3D110078

4 Capacity tables

4 - 1 Cooling/Heating Capacity Tables

FFA25A / RXM25M9

Cooling 50 Hz 220 - 240 V

AFR	9,0
BF	0,24

Indoor temperature		Outdoor temperature [°C DB]																	
EWB	EDB	20			25			30			32			35			40		
°C	°C	TC	SHC	PI	TC	SHC	PI	TC	SHC	PI	TC	SHC	PI	TC	SHC	PI	TC	SHC	PI
14,0	20	2,56	1,95	0,42	2,44	1,89	0,46	2,33	1,84	0,50	2,28	1,81	0,52	2,21	1,78	0,54	2,10	1,72	0,58
16,0	22	2,68	1,92	0,42	2,56	1,86	0,46	2,44	1,81	0,50	2,40	1,79	0,52	2,33	1,76	0,54	2,21	1,71	0,58
18,0	25	2,79	2,01	0,42	2,68	1,96	0,46	2,56	1,92	0,51	2,51	1,90	0,52	2,44	1,87	0,55	2,33	1,82	0,59
19,0	27	2,85	2,13	0,43	2,73	2,08	0,47	2,62	2,04	0,51	2,57	2,02	0,52	2,50	1,99	0,55	2,38	1,94	0,59
22,0	30	3,02	2,06	0,43	2,91	2,02	0,47	2,79	1,97	0,51	2,74	1,96	0,53	2,67	1,93	0,55	2,56	1,89	0,59
24,0	32	3,14	2,01	0,43	3,02	1,97	0,47	2,90	1,93	0,51	2,86	1,91	0,53	2,79	1,89	0,55	2,67	1,85	0,59

Heating 50 Hz 220 - 240 V

AFR	9,0
-----	-----

Indoor temperature		Outdoor temperature [°C WB]											
EDB		-15		-10		-5		0		6		10	
°C		TC	PI	TC	PI	TC	PI	TC	PI	TC	PI	TC	PI
15,0		1,49	0,66	1,79	0,69	2,09	0,73	2,39	0,76	3,31	0,80	3,60	0,83
20,0		1,40	0,68	1,70	0,71	2,00	0,75	2,30	0,78	3,20	0,82	3,49	0,85
22,0		1,36	0,69	1,66	0,72	1,96	0,75	2,26	0,79	3,16	0,83	3,44	0,85
24,0		1,32	0,69	1,62	0,73	1,92	0,76	2,22	0,79	3,11	0,84	3,40	0,86
25,0		1,30	0,70	1,60	0,73	1,90	0,76	2,20	0,80	3,09	0,84	3,38	0,87
27,0		1,27	0,70	1,57	0,74	1,87	0,77	2,17	0,81	3,05	0,85	3,33	0,87

Symbols

AFR : Air flow rate [m³/min]
 BF : Bypass factor
 EWB : Entering wet-bulb temperature (°C WB)
 EDB : Entering dry-bulb temperature (°C DB)
 TC : Total capacity [kW]
 SHC : Sensible heat capacity [kW]
 PI : Power input [kW]

Notes

- The ratings shown are net capacities which include a deduction for indoor fan motor heat.
- On the figure the □ mark shows the rated capacity and rated coefficient of the power input.
- The total capacity, power input and sensible heat capacity must be calculated by interpolation, using the figures in the table (figures not in the table may not be used in the calculation).
- In case the sensible heat capacity is not mentioned in the table, please calculate it using an approximation between two values in direct proportion.
- The capacities are based on the following conditions:
 Corresponding refrigerant piping length: 5 m
 Level difference: 0m
- The air flow rate and bypass factor are mentioned in the table.

3D110082

FNA25A / RXM25M9

Cooling 50 Hz 220 - 240 V

Indoor temperature		Outdoor temperature [°C DB]																	
EWB	EDB	20			25			30			32			35			40		
°C	°C	TC	SHC	PI	TC	SHC	PI	TC	SHC	PI	TC	SHC	PI	TC	SHC	PI	TC	SHC	PI
14,0	20	2,66	2,04	0,52	2,54	1,98	0,58	2,42	1,92	0,63	2,37	1,90	0,65	2,30	1,86	0,68	2,18	1,81	0,73
16,0	22	2,78	2,00	0,53	2,66	1,95	0,58	2,54	1,89	0,63	2,49	1,87	0,65	2,42	1,84	0,68	2,30	1,78	0,73
18,0	25	2,90	2,11	0,53	2,78	2,06	0,58	2,66	2,00	0,63	2,61	1,98	0,65	2,54	1,95	0,68	2,42	1,90	0,73
19,0	27	2,96	2,23	0,53	2,84	2,18	0,58	2,72	2,13	0,63	2,67	2,11	0,65	2,60	2,08	0,68	2,48	2,04	0,73
22,0	30	3,14	2,16	0,54	3,02	2,11	0,59	2,90	2,07	0,64	2,85	2,05	0,66	2,78	2,02	0,69	2,66	1,98	0,74
24,0	32	3,26	2,10	0,54	3,14	2,06	0,59	3,02	2,02	0,64	2,97	2,01	0,66	2,90	1,98	0,69	2,78	1,94	0,74

AFR	8,7
BF	0,17

Heating 50 Hz 220 - 240 V

Indoor temperature		Outdoor temperature [°C WB]											
EDB		-15		-10		-5		0		6		10	
°C		TC	PI	TC	PI	TC	PI	TC	PI	TC	PI	TC	PI
15,0		1,49	0,64	1,79	0,68	2,09	0,71	2,39	0,74	3,31	0,78	3,60	0,81
20,0		1,40	0,66	1,70	0,69	2,00	0,73	2,30	0,76	3,20	0,80	3,49	0,83
22,0		1,36	0,67	1,66	0,70	1,96	0,73	2,26	0,77	3,16	0,81	3,44	0,83
24,0		1,32	0,68	1,62	0,71	1,92	0,74	2,22	0,77	3,11	0,81	3,40	0,84
25,0		1,30	0,68	1,60	0,71	1,90	0,75	2,20	0,78	3,09	0,82	3,38	0,84
27,0		1,27	0,69	1,57	0,72	1,87	0,75	2,17	0,79	3,05	0,83	3,33	0,85

AFR	8,7
-----	-----

Symbols

AFR : Air flow rate [m³/min]
 BF : Bypass factor
 EWB : Entering wet-bulb temperature (°C WB)
 EDB : Entering dry-bulb temperature (°C DB)
 TC : Total capacity [kW]
 SHC : Sensible heat capacity [kW]
 PI : Power input [kW]

Notes

- The ratings shown are net capacities which include a deduction for indoor fan motor heat.
- On the figure the □ mark shows the rated capacity and rated coefficient of the power input.
- The total capacity, power input and sensible heat capacity must be calculated by interpolation, using the figures in the table (figures not in the table may not be used in the calculation).
- In case the sensible heat capacity is not mentioned in the table, please calculate it using an approximation between two values in direct proportion.
- The capacities are based on the following conditions:
 Corresponding refrigerant piping length: 5 m
 Level difference: 0m
- The air flow rate and bypass factor are mentioned in the table.

3D110089

4 Capacity tables

4 - 1 Cooling/Heating Capacity Tables

FVXM25F / RXM25M9

Cooling 50 Hz 220 - 240 V

Indoor temperature		Outdoor temperature [°C DB]																	
EWB	EDB	20			25			30			32			35			40		
°C	°C	TC	SHC	PI	TC	SHC	PI	TC	SHC	PI	TC	SHC	PI	TC	SHC	PI	TC	SHC	PI
14,0	20	2,56	2,00	0,46	2,44	1,95	0,50	2,33	1,89	0,55	2,28	1,87	0,56	2,21	1,84	0,59	2,10	1,78	0,64
16,0	22	2,68	1,97	0,46	2,56	1,92	0,51	2,44	1,87	0,55	2,40	1,84	0,57	2,33	1,81	0,59	2,21	1,76	0,64
18,0	25	2,79	2,08	0,46	2,68	2,03	0,51	2,56	1,98	0,55	2,51	1,96	0,57	2,44	1,93	0,60	2,33	1,89	0,64
19,0	27	2,85	2,21	0,47	2,73	2,16	0,51	2,62	2,11	0,55	2,57	2,09	0,57	2,50	2,07	0,60	2,38	2,02	0,64
22,0	30	3,02	2,13	0,47	2,91	2,09	0,51	2,79	2,05	0,56	2,74	2,03	0,58	2,67	2,01	0,60	2,56	1,97	0,65
24,0	32	3,14	2,08	0,47	3,02	2,04	0,52	2,90	2,01	0,56	2,86	1,99	0,58	2,79	1,97	0,60	2,67	1,93	0,65

AFR	8,2
BF	0,1

Heating 50 Hz 220 - 240 V

Indoor temperature		Outdoor temperature [°C WB]											
EDB		-15		-10		-5		0		6		10	
°C		TC	PI	TC	PI	TC	PI	TC	PI	TC	PI	TC	PI
15,0		1,58	0,62	1,90	0,65	2,22	0,68	2,54	0,71	3,52	0,75	3,82	0,78
20,0		1,48	0,64	1,80	0,67	2,12	0,70	2,44	0,73	3,40	0,77	3,71	0,79
22,0		1,44	0,64	1,76	0,67	2,08	0,71	2,40	0,74	3,35	0,78	3,66	0,80
24,0		1,41	0,65	1,72	0,68	2,04	0,71	2,36	0,75	3,31	0,78	3,61	0,81
25,0		1,39	0,65	1,70	0,69	2,02	0,72	2,34	0,75	3,28	0,79	3,59	0,81
27,0		1,35	0,66	1,67	0,69	1,98	0,72	2,30	0,76	3,24	0,79	3,54	0,82

AFR	8,8
-----	-----

Symbols

- AFR : Air flow rate [m³/min]
- BF : Bypass factor
- EWB : Entering wet-bulb temperature (°C WB)
- EDB : Entering dry-bulb temperature (°C DB)
- TC : Total capacity [kW]
- SHC : Sensible heat capacity [kW]
- PI : Power input [kW]

Notes

1. The ratings shown are net capacities which include a deduction for indoor fan motor heat.
2. On the figure the □ mark shows the rated capacity and rated coefficient of the power input.
3. The total capacity, power input and sensible heat capacity must be calculated by interpolation, using the figures in the table (figures not in the table may not be used in the calculation).
4. In case the sensible heat capacity is not mentioned in the table, please calculate it using an approximation between two values in direct proportion.
5. The capacities are based on the following conditions:
Corresponding refrigerant piping length: 5 m
Level difference: 0m
6. The air flow rate and bypass factor are mentioned in the table.

3D110093

FBA35A / RXM35M9

Cooling 50 Hz 220 - 240 V

AFR	15,0
BF	0,08

Indoor temperature		Outdoor temperature [°C DB]																	
EWB	EDB	20			25			30			32			35			40		
°C	°C	TC	SHC	PI	TC	SHC	PI	TC	SHC	PI	TC	SHC	PI	TC	SHC	PI	TC	SHC	PI
14,0	20	3,59	3,18	0,67	3,42	3,11	0,73	3,26	3,03	0,80	3,19	3,00	0,82	3,10	2,96	0,86	2,93	2,89	0,93
16,0	22	3,75	3,13	0,67	3,58	3,06	0,74	3,42	2,99	0,80	3,36	2,97	0,83	3,26	2,92	0,86	3,10	2,86	0,93
18,0	25	3,91	3,35	0,68	3,75	3,29	0,74	3,58	3,22	0,80	3,52	3,20	0,83	3,42	3,16	0,87	3,26	3,10	0,93
19,0	27	3,99	3,60	0,68	3,83	3,54	0,74	3,66	3,48	0,81	3,60	3,45	0,83	3,50	3,42	0,87	3,34	3,36	0,93
22,0	30	4,23	3,50	0,68	4,07	3,44	0,75	3,90	3,39	0,81	3,84	3,37	0,84	3,74	3,34	0,88	3,58	3,28	0,94
24,0	32	4,39	3,43	0,69	4,23	3,38	0,75	4,07	3,33	0,82	4,00	3,31	0,84	3,90	3,28	0,88	3,74	3,23	0,94

Heating 50 Hz 220 - 240 V

AFR	15,0
-----	------

Indoor temperature		Outdoor temperature [°C WB]											
EDB		-15		-10		-5		0		6		10	
°C		TC	PI	TC	PI	TC	PI	TC	PI	TC	PI	TC	PI
15,0		1,86	0,80	2,23	0,84	2,61	0,88	2,98	0,92	4,14	0,97	4,50	1,01
20,0		1,75	0,82	2,12	0,86	2,50	0,90	2,87	0,95	4,00	1,00	4,36	1,03
22,0		1,70	0,83	2,07	0,87	2,45	0,91	2,82	0,95	3,94	1,00	4,31	1,04
24,0		1,65	0,84	2,03	0,88	2,40	0,92	2,78	0,96	3,89	1,01	4,25	1,05
25,0		1,63	0,85	2,01	0,89	2,38	0,93	2,76	0,97	3,86	1,02	4,22	1,05
27,0		1,59	0,85	1,96	0,90	2,33	0,94	2,71	0,98	3,81	1,03	4,17	1,06

Notes

1. The ratings shown are net capacities which include a deduction for indoor fan motor heat.
2. On the figure the □ mark shows the rated capacity and rated coefficient of the power input.
3. The total capacity, power input and sensible heat capacity must be calculated by interpolation, using the figures in the table (figures not in the table may not be used in the calculation).
4. In case the sensible heat capacity is not mentioned in the table, please calculate it using an approximation between two values in direct proportion.
5. The capacities are based on the following conditions:
Corresponding refrigerant piping length: 5 m
Level difference: 0m
6. The air flow rate and bypass factor are mentioned in the table.

Symbols

- AFR : Air flow rate [m³/min]
- BF : Bypass factor
- EWB : Entering wet-bulb temperature (°C WB)
- EDB : Entering dry-bulb temperature (°C DB)
- TC : Total capacity [kW]
- SHC : Sensible heat capacity [kW]
- PI : Power input [kW]

3D110072

4 Capacity tables

4 - 1 Cooling/Heating Capacity Tables

FCAG35A / RXM35M9

Cooling 50 Hz 220 - 240 V

AFR	12,5
BF	0,4

Indoor temperature		Outdoor temperature [°C DB]																	
EWB	EDB	20			25			30			32			35			40		
°C	°C	TC	SHC	PI	TC	SHC	PI	TC	SHC	PI	TC	SHC	PI	TC	SHC	PI	TC	SHC	PI
14,0	20	3,08	2,27	0,63	3,08	2,27	0,72	3,08	2,27	0,81	3,08	2,27	0,85	3,01	2,24	0,89	2,85	2,16	0,96
16,0	22	3,64	2,44	0,70	3,48	2,36	0,76	3,32	2,28	0,83	3,26	2,25	0,86	3,17	2,21	0,90	3,01	2,13	0,96
18,0	25	3,80	2,54	0,70	3,64	2,46	0,77	3,48	2,39	0,83	3,42	2,36	0,86	3,32	2,32	0,90	3,16	2,25	0,97
19,0	27	3,87	2,66	0,70	3,72	2,59	0,77	3,56	2,52	0,84	3,49	2,49	0,86	3,40	2,45	0,90	3,24	2,39	0,97
22,0	30	4,11	2,56	0,71	3,95	2,50	0,77	3,79	2,44	0,84	3,73	2,41	0,87	3,63	2,38	0,91	3,48	2,32	0,97
24,0	32	4,27	2,49	0,71	4,11	2,43	0,78	3,95	2,37	0,85	3,89	2,35	0,87	3,79	2,32	0,91	3,63	2,26	0,98

Heating 50 Hz 220 - 240 V

AFR	12,5
-----	------

Indoor temperature		Outdoor temperature [°C WB]											
EDB	°C	-15		-10		-5		0		6		10	
°C	°C	TC	PI	TC	PI	TC	PI	TC	PI	TC	PI	TC	PI
15,0	20	1,95	0,97	2,35	1,01	2,74	1,06	3,13	1,11	4,34	1,17	4,72	1,21
20,0	20	1,83	0,99	2,23	1,04	2,62	1,09	3,01	1,14	4,20	1,20	4,58	1,24
22,0	20	1,78	1,00	2,18	1,05	2,57	1,10	2,97	1,15	4,14	1,21	4,52	1,25
24,0	20	1,74	1,01	2,13	1,06	2,52	1,11	2,92	1,16	4,08	1,22	4,46	1,26
25,0	20	1,71	1,02	2,11	1,07	2,50	1,12	2,89	1,17	4,06	1,23	4,43	1,27
27,0	20	1,66	1,03	2,06	1,08	2,45	1,13	2,85	1,18	4,00	1,24	4,38	1,28

Symbols

AFR : Air flow rate [m³/min]
 BF : Bypass factor
 EWB : Entering wet-bulb temperature (°C WB)
 EDB : Entering dry-bulb temperature (°C DB)
 TC : Total capacity [kW]
 SHC : Sensible heat capacity [kW]
 PI : Power input [kW]

Notes

- The ratings shown are net capacities which include a deduction for indoor fan motor heat.
- On the figure the □ mark shows the rated capacity and rated coefficient of the power input.
- The total capacity, power input and sensible heat capacity must be calculated by interpolation, using the figures in the table (figures not in the table may not be used in the calculation).
- In case the sensible heat capacity is not mentioned in the table, please calculate it using an approximation between two values in direct proportion.
- The capacities are based on the following conditions:
 Corresponding refrigerant piping length: 5 m
 Level difference: 0m
- The air flow rate and bypass factor are mentioned in the table.

3D110075

FDXM35F3 / RXM35M9

Cooling 50 Hz 220 - 240 V

AFR	8,7
BF	0,17

Indoor temperature		Outdoor temperature [°C DB]																	
EWB	EDB	20			25			30			32			35			40		
°C	°C	TC	SHC	PI	TC	SHC	PI	TC	SHC	PI	TC	SHC	PI	TC	SHC	PI	TC	SHC	PI
14,0	20	2,96	2,19	0,78	2,96	2,19	0,89	2,96	2,19	1,01	2,96	2,19	1,05	2,96	2,19	1,13	2,85	2,13	1,22
16,0	22	3,64	2,42	0,89	3,48	2,34	0,97	3,32	2,26	1,06	3,26	2,23	1,09	3,17	2,18	1,14	3,01	2,11	1,23
18,0	25	3,80	2,51	0,89	3,64	2,43	0,98	3,48	2,36	1,06	3,42	2,33	1,10	3,32	2,29	1,15	3,16	2,22	1,23
19,0	27	3,87	2,63	0,89	3,72	2,55	0,98	3,56	2,48	1,06	3,49	2,46	1,10	3,40	2,42	1,15	3,24	2,35	1,23
22,0	30	4,11	2,52	0,90	3,95	2,46	0,99	3,79	2,40	1,07	3,73	2,38	1,11	3,63	2,34	1,16	3,48	2,28	1,24
24,0	32	4,27	2,45	0,91	4,11	2,39	0,99	3,95	2,34	1,08	3,89	2,32	1,11	3,79	2,28	1,16	3,63	2,23	1,25

Heating 50 Hz 220 - 240 V

AFR	8,7
-----	-----

Indoor temperature		Outdoor temperature [°C WB]											
EDB	°C	-15		-10		-5		0		6		10	
°C	°C	TC	PI	TC	PI	TC	PI	TC	PI	TC	PI	TC	PI
15,0	20	1,86	0,92	2,23	0,97	2,61	1,02	2,98	1,07	4,14	1,12	4,50	1,16
20,0	20	1,75	0,95	2,12	1,00	2,50	1,05	2,87	1,09	4,00	1,15	4,36	1,19
22,0	20	1,70	0,96	2,07	1,01	2,45	1,06	2,82	1,10	3,94	1,16	4,31	1,20
24,0	20	1,65	0,97	2,03	1,02	2,40	1,07	2,78	1,11	3,89	1,17	4,25	1,21
25,0	20	1,63	0,98	2,01	1,02	2,38	1,07	2,76	1,12	3,86	1,18	4,22	1,21
27,0	20	1,59	0,99	1,96	1,03	2,33	1,08	2,71	1,13	3,81	1,19	4,02	1,21

Symbols

AFR : Air flow rate [m³/min]
 BF : Bypass factor
 EWB : Entering wet-bulb temperature (°C WB)
 EDB : Entering dry-bulb temperature (°C DB)
 TC : Total capacity [kW]
 SHC : Sensible heat capacity [kW]
 PI : Power input [kW]

Notes

- The ratings shown are net capacities which include a deduction for indoor fan motor heat.
- On the figure the □ mark shows the rated capacity and rated coefficient of the power input.
- The total capacity, power input and sensible heat capacity must be calculated by interpolation, using the figures in the table (figures not in the table may not be used in the calculation).
- In case the sensible heat capacity is not mentioned in the table, please calculate it using an approximation between two values in direct proportion.
- The capacities are based on the following conditions:
 Corresponding refrigerant piping length: 5 m
 Level difference: 0m
- The air flow rate and bypass factor are mentioned in the table.

3D110079

4 Capacity tables

4 - 1 Cooling/Heating Capacity Tables

4

FFA35A / RXM35M9

Cooling 50 Hz 220 - 240 V

AFR	10,0
BF	0,25

Indoor temperature		Outdoor temperature [°C DB]																	
EWB	EDB	20			25			30			32			35			40		
°C	°C	TC	SHC	PI	TC	SHC	PI	TC	SHC	PI	TC	SHC	PI	TC	SHC	PI	TC	SHC	PI
14,0	20	3,08	2,27	0,62	3,08	2,27	0,71	3,08	2,27	0,80	3,08	2,27	0,84	3,01	2,24	0,88	2,85	2,16	0,95
16,0	22	3,64	2,44	0,69	3,48	2,36	0,75	3,32	2,28	0,82	3,26	2,25	0,85	3,17	2,21	0,89	3,01	2,13	0,95
18,0	25	3,80	2,54	0,69	3,64	2,46	0,76	3,48	2,39	0,82	3,42	2,36	0,85	3,32	2,32	0,89	3,16	2,25	0,96
19,0	27	3,87	2,66	0,69	3,72	2,59	0,76	3,56	2,52	0,83	3,49	2,49	0,85	3,40	2,45	0,89	3,24	2,39	0,96
22,0	30	4,11	2,56	0,70	3,95	2,50	0,77	3,79	2,44	0,83	3,73	2,41	0,86	3,63	2,38	0,90	3,48	2,32	0,96
24,0	32	4,27	2,49	0,70	4,11	2,43	0,77	3,95	2,37	0,84	3,89	2,35	0,86	3,79	2,32	0,90	3,63	2,26	0,97

Heating 50 Hz 220 - 240 V

AFR	10,0
-----	------

Indoor temperature		Outdoor temperature [°C WB]											
EDB	°C	-15		-10		-5		0		6		10	
°C	°C	TC	PI	TC	PI	TC	PI	TC	PI	TC	PI	TC	PI
15,0	15,0	1,95	0,97	2,35	1,01	2,74	1,06	3,13	1,11	4,34	1,17	4,72	1,21
20,0	20,0	1,83	0,99	2,23	1,04	2,62	1,09	3,01	1,14	4,20	1,20	4,58	1,24
22,0	22,0	1,78	1,00	2,18	1,05	2,57	1,10	2,97	1,15	4,14	1,21	4,52	1,25
24,0	24,0	1,74	1,01	2,13	1,06	2,52	1,11	2,92	1,16	4,08	1,22	4,46	1,26
25,0	25,0	1,71	1,02	2,11	1,07	2,50	1,12	2,89	1,17	4,06	1,23	4,43	1,27
27,0	27,0	1,66	1,03	2,06	1,08	2,45	1,13	2,85	1,18	4,00	1,24	4,38	1,28

Symbols

- AFR : Air flow rate [m³/min]
- BF : Bypass factor
- EWB : Entering wet-bulb temperature [°C WB]
- TC : Total capacity [kW]
- SHC : Sensible heat capacity [kW]
- PI : Power input [kW]
- EDB : Entering dry-bulb temperature [°C DB]

Notes

1. The ratings shown are net capacities which include a deduction for indoor fan motor heat.
2. On the figure the □ mark shows the rated capacity and rated coefficient of the power input.
3. The total capacity, power input and sensible heat capacity must be calculated by interpolation, using the figures in the table (figures not in the table may not be used in the calculation).
4. In case the sensible heat capacity is not mentioned in the table, please calculate it using an approximation between two values in direct proportion.
5. The capacities are based on the following conditions:
Corresponding refrigerant piping length: 5 m
Level difference: 0m
6. The air flow rate and bypass factor are mentioned in the table.

3D110083

FHA35A / RXM35M9

Cooling 50 Hz 220 - 240 V

AFR	14,0
BF	0,17

Indoor temperature		Outdoor temperature [°C DB]																	
EWB	EDB	20			25			30			32			35			40		
°C	°C	TC	SHC	PI	TC	SHC	PI	TC	SHC	PI	TC	SHC	PI	TC	SHC	PI	TC	SHC	PI
14,0	20	3,48	2,89	0,70	3,33	2,82	0,77	3,17	2,75	0,83	3,10	2,72	0,86	3,01	2,67	0,90	2,85	2,60	0,97
16,0	22	3,64	2,85	0,70	3,48	2,78	0,77	3,32	2,71	0,84	3,26	2,68	0,87	3,17	2,64	0,91	3,01	2,57	0,97
18,0	25	3,80	3,03	0,71	3,64	2,96	0,77	3,48	2,90	0,84	3,42	2,87	0,87	3,32	2,83	0,91	3,16	2,77	0,98
19,0	27	3,87	3,23	0,71	3,72	3,17	0,78	3,56	3,11	0,84	3,49	3,08	0,87	3,40	3,05	0,91	3,24	2,99	0,98
22,0	30	4,11	3,13	0,72	3,95	3,08	0,78	3,79	3,02	0,85	3,73	3,00	0,88	3,63	2,97	0,92	3,48	2,92	0,98
24,0	32	4,27	3,06	0,72	4,11	3,01	0,79	3,95	2,96	0,85	3,89	2,95	0,88	3,79	2,92	0,92	3,63	2,87	0,99

Heating 50 Hz 220 - 240 V

AFR	14,0
-----	------

Indoor temperature		Outdoor temperature [°C WB]											
EDB	°C	-15		-10		-5		0		6		10	
°C	°C	TC	PI	TC	PI	TC	PI	TC	PI	TC	PI	TC	PI
15,0	15,0	1,86	0,79	2,23	0,83	2,61	0,87	2,98	0,91	4,14	0,96	4,50	0,99
20,0	20,0	1,75	0,81	2,12	0,85	2,50	0,89	2,87	0,93	4,00	0,98	4,36	1,01
22,0	22,0	1,70	0,82	2,07	0,86	2,45	0,90	2,82	0,94	3,94	0,99	4,31	1,02
24,0	24,0	1,65	0,83	2,03	0,87	2,40	0,91	2,78	0,95	3,89	1,00	4,25	1,03
25,0	25,0	1,63	0,83	2,01	0,87	2,38	0,91	2,76	0,95	3,86	1,00	4,22	1,03
27,0	27,0	1,59	0,84	1,96	0,88	2,33	0,92	2,71	0,96	3,81	1,01	4,17	1,04

Symbols

- AFR : Air flow rate [m³/min]
- BF : Bypass factor
- EWB : Entering wet-bulb temperature [°C WB]
- EDB : Entering dry-bulb temperature [°C DB]
- TC : Total capacity [kW]
- SHC : Sensible heat capacity [kW]
- PI : Power input [kW]

Notes

1. The ratings shown are net capacities which include a deduction for indoor fan motor heat.
2. On the figure the □ mark shows the rated capacity and rated coefficient of the power input.
3. The total capacity, power input and sensible heat capacity must be calculated by interpolation, using the figures in the table (figures not in the table may not be used in the calculation).
4. In case the sensible heat capacity is not mentioned in the table, please calculate it using an approximation between two values in direct proportion.
5. The capacities are based on the following conditions:
Corresponding refrigerant piping length: 5 m
Level difference: 0m
6. The air flow rate and bypass factor are mentioned in the table.

3D110086

4 Capacity tables

4 - 1 Cooling/Heating Capacity Tables

FNA35A / RXM35M9

Cooling 50 Hz 220 - 240 V

Indoor temperature		Outdoor temperature [°C DB]																	
EWB	EDB	20			25			30			32			35			40		
°C	°C	TC	SHC	PI	TC	SHC	PI	TC	SHC	PI	TC	SHC	PI	TC	SHC	PI	TC	SHC	PI
14,0	20	2,96	2,19	0,75	2,96	2,19	0,85	2,96	2,19	0,96	2,96	2,19	1,01	2,96	2,19	1,08	2,85	2,13	1,17
16,0	22	3,64	2,42	0,85	3,48	2,34	0,93	3,32	2,26	1,01	3,26	2,23	1,04	3,17	2,18	1,09	3,01	2,11	1,17
18,0	25	3,80	2,51	0,85	3,64	2,43	0,93	3,48	2,36	1,02	3,42	2,33	1,05	3,32	2,29	1,10	3,16	2,22	1,18
19,0	27	3,87	2,63	0,86	3,72	2,55	0,94	3,56	2,48	1,02	3,49	2,46	1,05	3,40	2,42	1,10	3,24	2,35	1,18
22,0	30	4,11	2,52	0,86	3,95	2,46	0,94	3,79	2,40	1,03	3,73	2,38	1,06	3,63	2,34	1,11	3,48	2,28	1,19
24,0	32	4,27	2,45	0,87	4,11	2,39	0,95	3,95	2,34	1,03	3,89	2,32	1,06	3,79	2,28	1,11	3,63	2,23	1,19

AFR	8,7
BF	0,17

Heating 50 Hz 220 - 240 V

Indoor temperature		Outdoor temperature [°C WB]											
EDB		-15		-10		-5		0		6		10	
°C	°C	TC	PI	TC	PI	TC	PI	TC	PI	TC	PI	TC	PI
15,0	20	1,86	0,92	2,23	0,97	2,61	1,02	2,98	1,07	4,14	1,12	4,50	1,16
20,0	20	1,75	0,95	2,12	1,00	2,50	1,05	2,87	1,09	4,00	1,15	4,36	1,19
22,0	20	1,70	0,96	2,07	1,01	2,45	1,06	2,82	1,10	3,94	1,16	4,31	1,20
24,0	20	1,65	0,97	2,03	1,02	2,40	1,07	2,78	1,11	3,89	1,17	4,25	1,21
25,0	20	1,63	0,98	2,01	1,02	2,38	1,07	2,76	1,12	3,86	1,18	4,22	1,21
27,0	20	1,59	0,99	1,96	1,03	2,33	1,08	2,71	1,13	3,81	1,19	4,02	1,21

AFR	8,7
-----	-----

Symbols

AFR : Air flow rate [m³/min]
 BF : Bypass factor
 EWB : Entering wet-bulb temperature (°C WB)
 EDB : Entering dry-bulb temperature (°C DB)
 TC : Total capacity [kW]
 SHC : Sensible heat capacity [kW]
 PI : Power input [kW]

Notes

- The ratings shown are net capacities which include a deduction for indoor fan motor heat.
- On the figure the □ mark shows the rated capacity and rated coefficient of the power input.
- The total capacity, power input and sensible heat capacity must be calculated by interpolation, using the figures in the table (figures not in the table may not be used in the calculation).
- In case the sensible heat capacity is not mentioned in the table, please calculate it using an approximation between two values in direct proportion.
- The capacities are based on the following conditions:
 Corresponding refrigerant piping length: 5 m
 Level difference: 0m
- The air flow rate and bypass factor are mentioned in the table.

3D110090

FVXM35F / RXM35M9

Cooling 50 Hz 220 - 240 V

Indoor temperature		Outdoor temperature [°C DB]																	
EWB	EDB	20			25			30			32			35			40		
°C	°C	TC	SHC	PI	TC	SHC	PI	TC	SHC	PI	TC	SHC	PI	TC	SHC	PI	TC	SHC	PI
14,0	20	3,11	2,29	0,75	3,11	2,29	0,86	3,11	2,29	0,96	3,11	2,29	1,01	3,10	2,29	1,08	2,93	2,21	1,16
16,0	22	3,75	2,50	0,84	3,58	2,42	0,92	3,42	2,34	1,00	3,36	2,31	1,03	3,26	2,26	1,08	3,10	2,18	1,16
18,0	25	3,91	2,60	0,85	3,75	2,52	0,93	3,58	2,45	1,01	3,52	2,42	1,04	3,42	2,37	1,09	3,26	2,30	1,17
19,0	27	3,99	2,72	0,85	3,83	2,65	0,93	3,66	2,57	1,01	3,60	2,55	1,04	3,50	2,50	1,09	3,34	2,43	1,17
22,0	30	4,23	2,61	0,86	4,07	2,55	0,94	3,90	2,49	1,02	3,84	2,46	1,05	3,74	2,43	1,10	3,58	2,36	1,18
24,0	32	4,39	2,54	0,86	4,23	2,48	0,94	4,07	2,42	1,02	4,00	2,40	1,05	3,90	2,37	1,10	3,74	2,31	1,18

AFR	8,5
BF	0,11

Heating 50 Hz 220 - 240 V

Indoor temperature		Outdoor temperature [°C WB]											
EDB		-15		-10		-5		0		6		10	
°C	°C	TC	PI	TC	PI	TC	PI	TC	PI	TC	PI	TC	PI
15,0	20	2,09	0,96	2,51	1,01	2,94	1,06	3,36	1,10	4,66	1,16	5,06	1,20
20,0	20	1,96	0,98	2,39	1,03	2,81	1,08	3,23	1,13	4,50	1,19	4,91	1,23
22,0	20	1,91	1,00	2,33	1,04	2,76	1,09	3,18	1,14	4,44	1,20	4,84	1,24
24,0	20	1,86	1,01	2,28	1,06	2,70	1,10	3,13	1,15	4,38	1,21	4,78	1,25
25,0	20	1,83	1,01	2,26	1,06	2,68	1,11	3,10	1,16	4,34	1,22	4,75	1,26
27,0	20	1,78	1,02	2,20	1,07	2,63	1,12	3,05	1,17	4,28	1,23	4,69	1,26

AFR	9,4
-----	-----

Symbols

AFR : Air flow rate [m³/min]
 BF : Bypass factor
 EWB : Entering wet-bulb temperature (°C WB)
 EDB : Entering dry-bulb temperature (°C DB)
 TC : Total capacity [kW]
 SHC : Sensible heat capacity [kW]
 PI : Power input [kW]

Notes

- The ratings shown are net capacities which include a deduction for indoor fan motor heat.
- On the figure the □ mark shows the rated capacity and rated coefficient of the power input.
- The total capacity, power input and sensible heat capacity must be calculated by interpolation, using the figures in the table (figures not in the table may not be used in the calculation).
- In case the sensible heat capacity is not mentioned in the table, please calculate it using an approximation between two values in direct proportion.
- The capacities are based on the following conditions:
 Corresponding refrigerant piping length: 5 m
 Level difference: 0m
- The air flow rate and bypass factor are mentioned in the table.

3D110094

4 Capacity tables

4 - 1 Cooling/Heating Capacity Tables

4

FTXM42M / RXM42M9

Cooling 220-240V 50Hz

AFR	11,2
BF	0,15

1	2	3																	
		20			25			30			32			35			40		
		TC	SHC	PI	TC	SHC	PI	TC	SHC	PI	TC	SHC	PI	TC	SHC	PI	TC	SHC	PI
14	20	3,72	2,76	0,97	3,52	2,64	1,00	3,33	2,60	1,03	3,25	2,56	1,05	3,13	2,50	1,11	2,93	2,41	1,19
16	22	4,50	3,01	0,97	4,30	2,89	1,00	4,11	2,85	1,03	4,03	2,81	1,06	3,91	2,75	1,11	3,71	2,66	1,20
18	25	4,69	3,16	0,98	4,49	3,07	1,01	4,30	2,98	1,04	4,22	2,95	1,07	4,10	2,90	1,12	3,91	2,81	1,20
19	27	4,79	3,32	0,98	4,59	3,23	1,01	4,40	3,15	1,04	4,32	3,11	1,07	4,20	3,06	1,12	4,00	2,98	1,21
22	30	5,08	3,19	0,99	4,88	3,12	1,02	4,69	3,04	1,05	4,61	3,01	1,08	4,49	2,97	1,13	4,29	2,90	1,22
24	32	5,27	3,10	0,99	5,07	3,03	1,02	4,88	2,97	1,05	4,80	2,94	1,08	4,68	2,90	1,13	4,49	2,83	1,22

Heating 220-240V 50Hz

AFR	12,4
-----	------

2	4											
	-15		-10		-5		0		6		10	
	TC	PI	TC	PI	TC	PI	TC	PI	TC	PI	TC	PI
15	2,57	0,84	3,09	0,89	3,61	0,93	4,12	1,22	5,59	1,28	6,07	1,32
20	2,41	0,87	2,93	0,91	3,45	0,95	3,97	1,25	5,40	1,31	5,89	1,35
22	2,35	0,88	2,87	0,92	3,39	0,96	3,90	1,26	5,33	1,32	5,81	1,36
24	2,29	0,89	2,80	0,93	3,32	0,97	3,84	1,27	5,25	1,33	5,74	1,38
25	2,25	0,89	2,77	0,93	3,29	0,98	3,81	1,27	5,21	1,34	5,65	1,38
27	2,19	0,90	2,71	0,94	3,23	0,99	3,75	1,29	5,14	1,35	5,58	1,35

Symbols

- TC: Total capacity [kW]
- PI: Power input [kW]
- SHC: Sensible heat capacity [kW]
- AFR: Air flow rate [m³/min]
- BF: Bypass factor
- 1 Indoor air temperature [°C DB]
- 2 Indoor air temperature [°C WB]
- 3 Outdoor air temperature [°C DB]
- 4 Outdoor air temperature [°C WB]

Notes

1. The capacities are based on the following conditions:
Corresponding refrigerant piping length: 5.0 m
Level difference: 0m
2. The bold cells indicate the standard conditions.
Rated operating frequency [Hz]

3D104365B

FBA50A / RXM50M9

Cooling 50 Hz 220 - 240 V

AFR	15,0
BF	0,13

Indoor temperature		Outdoor temperature [°C DB]																	
EWB °C	EDB °C	20			25			30			32			35			40		
		TC	SHC	PI	TC	SHC	PI	TC	SHC	PI	TC	SHC	PI	TC	SHC	PI	TC	SHC	PI
14,0	20	5,12	3,84	1,08	4,89	3,72	1,18	4,66	3,61	1,29	4,56	3,56	1,33	4,42	3,49	1,39	4,19	3,38	1,50
16,0	22	5,35	3,77	1,09	5,12	3,66	1,19	4,89	3,55	1,29	4,79	3,51	1,34	4,65	3,45	1,40	4,42	3,34	1,50
18,0	25	5,58	3,95	1,09	5,35	3,85	1,20	5,12	3,75	1,30	5,02	3,71	1,34	4,88	3,66	1,40	4,65	3,56	1,51
19,0	27	5,70	4,18	1,10	5,47	4,08	1,20	5,23	3,98	1,30	5,14	3,94	1,35	5,00	3,89	1,41	4,77	3,79	1,51
22,0	30	6,04	4,03	1,11	5,81	3,94	1,21	5,58	3,86	1,31	5,49	3,82	1,35	5,35	3,77	1,42	5,11	3,69	1,52
24,0	32	6,27	3,92	1,11	6,04	3,85	1,22	5,81	3,77	1,32	5,72	3,74	1,36	5,58	3,69	1,42	5,34	3,62	1,53

Heating 50 Hz 220 - 240 V

AFR	15,0
-----	------

Indoor temperature		Outdoor temperature [°C WB]											
EDB °C		-15		-10		-5		0		6		10	
		TC	PI	TC	PI	TC	PI	TC	PI	TC	PI	TC	PI
15,0		2,56	1,16	3,07	1,21	3,59	1,27	4,10	1,33	5,69	1,40	6,19	1,45
20,0		2,40	1,19	2,92	1,25	3,43	1,31	3,95	1,37	5,50	1,44	6,00	1,48
22,0		2,34	1,20	2,85	1,26	3,37	1,32	3,88	1,38	5,42	1,45	5,92	1,50
24,0		2,27	1,21	2,79	1,27	3,30	1,33	3,82	1,39	5,35	1,46	5,84	1,51
25,0		2,24	1,22	2,76	1,28	3,27	1,34	3,79	1,40	5,31	1,47	5,81	1,52
27,0		2,18	1,23	2,69	1,29	3,21	1,35	3,73	1,41	5,23	1,48	5,73	1,53

Symbols

- AFR : Air flow rate [m³/min]
- BF : Bypass factor
- EWB : Entering wet-bulb temperature (°C WB)
- EDB : Entering dry-bulb temperature (°C DB)
- TC : Total capacity [kW]
- SHC : Sensible heat capacity [kW]
- PI : Power input [kW]

Notes

1. The ratings shown are net capacities which include a deduction for indoor fan motor heat.
2. On the figure the □ mark shows the rated capacity and rated coefficient of the power input.
3. The total capacity, power input and sensible heat capacity must be calculated by interpolation, using the figures in the table (figures not in the table may not be used in the calculation).
4. In case the sensible heat capacity is not mentioned in the table, please calculate it using an approximation between two values in direct proportion.
5. Corresponding refrigerant piping length: 5 m
Level difference: 0m
The capacities are based on the following conditions:
6. The air flow rate and bypass factor are mentioned in the table.

3D110073

4 Capacity tables

4 - 1 Cooling/Heating Capacity Tables

FCAG50A / RXM50M9

Cooling 50 Hz 220 - 240 V

AFR	12,6
BF	0,22

Indoor temperature		Outdoor temperature [°C DB]																	
EWB	EDB	20			25			30			32			35			40		
°C	°C	TC	SHC	PI	TC	SHC	PI	TC	SHC	PI	TC	SHC	PI	TC	SHC	PI	TC	SHC	PI
14,0	20	4,03	2,98	0,91	4,03	2,98	1,04	4,03	2,98	1,17	4,03	2,98	1,23	4,03	2,98	1,31	4,03	2,98	1,46
16,0	22	5,13	3,37	1,05	5,12	3,37	1,18	4,89	3,25	1,28	4,79	3,21	1,33	4,65	3,14	1,39	4,42	3,03	1,49
18,0	25	5,58	3,61	1,08	5,35	3,50	1,19	5,12	3,39	1,29	5,02	3,35	1,33	4,88	3,28	1,39	4,65	3,18	1,50
19,0	27	5,70	3,77	1,09	5,47	3,66	1,19	5,23	3,55	1,29	5,14	3,51	1,34	5,00	3,45	1,40	4,77	3,35	1,50
22,0	30	6,04	3,62	1,10	5,81	3,52	1,20	5,58	3,43	1,30	5,49	3,39	1,34	5,35	3,34	1,41	5,11	3,25	1,51
24,0	32	6,27	3,51	1,10	6,04	3,42	1,21	5,81	3,34	1,31	5,72	3,30	1,35	5,58	3,25	1,41	5,34	3,17	1,52

Heating 50 Hz 220 - 240 V

AFR	12,6
-----	------

Indoor temperature		Outdoor temperature [°C WB]											
EDB		-15		-10		-5		0		6		10	
°C	°C	TC	PI	TC	PI	TC	PI	TC	PI	TC	PI	TC	PI
15,0	2,79	1,30	3,35	1,37	3,91	1,44	4,48	1,50	6,21	1,59	6,75	1,64	
20,0	2,62	1,34	3,18	1,41	3,74	1,47	4,31	1,54	6,00	1,62	6,54	1,68	
22,0	2,55	1,36	3,11	1,42	3,67	1,49	4,24	1,56	5,92	1,64	6,31	1,69	
24,0	2,48	1,37	3,04	1,44	3,61	1,50	4,17	1,57	5,83	1,65	6,16	1,70	
25,0	2,45	1,38	3,01	1,44	3,57	1,51	4,13	1,58	5,63	1,66	6,03	1,71	
27,0	2,38	1,39	2,94	1,46	3,50	1,53	4,06	1,59	5,18	1,67	5,18	1,73	

Symbols

AFR : Air flow rate [m³/min]
 BF : Bypass factor
 EWB : Entering wet-bulb temperature [°C WB]
 EDB : Entering dry-bulb temperature [°C DB]
 TC : Total capacity [kW]
 SHC : Sensible heat capacity [kW]
 PI : Power input [kW]

Notes

- The ratings shown are net capacities which include a deduction for indoor fan motor heat.
- On the figure the mark shows the rated capacity and rated coefficient of the power input.
- The total capacity, power input and sensible heat capacity must be calculated by interpolation, using the figures in the table (figures not in the table may not be used in the calculation).
- In case the sensible heat capacity is not mentioned in the table, please calculate it using an approximation between two values in direct proportion.
- The capacities are based on the following conditions:
 Corresponding refrigerant piping length: 5 m
 Level difference: 0m
- The air flow rate and bypass factor are mentioned in the table.

3D110076

FDXM50F3 / RXM50M9

Cooling 50 Hz 220 - 240 V

AFR	12,0
BF	0,11

Indoor temperature		Outdoor temperature [°C DB]																	
EWB	EDB	20			25			30			32			35			40		
°C	°C	TC	SHC	PI	TC	SHC	PI	TC	SHC	PI	TC	SHC	PI	TC	SHC	PI	TC	SHC	PI
14,0	20	4,38	3,24	1,15	4,38	3,24	1,30	4,38	3,24	1,46	4,38	3,24	1,53	4,38	3,24	1,62	4,17	3,13	1,75
16,0	22	5,35	3,56	1,27	5,12	3,44	1,40	4,89	3,33	1,52	4,79	3,28	1,57	4,65	3,22	1,64	4,37	3,08	1,75
18,0	25	5,58	3,70	1,28	5,35	3,59	1,40	5,12	3,48	1,52	5,02	3,44	1,57	4,88	3,38	1,65	4,58	3,24	1,75
19,0	27	5,70	3,87	1,28	5,47	3,76	1,41	5,23	3,66	1,53	5,14	3,62	1,58	5,00	3,56	1,65	4,68	3,42	1,75
22,0	30	6,04	3,72	1,30	5,81	3,63	1,42	5,58	3,54	1,54	5,49	3,50	1,59	5,35	3,45	1,66	4,97	3,31	1,75
24,0	32	6,27	3,61	1,30	6,04	3,53	1,42	5,81	3,45	1,55	5,72	3,41	1,60	5,58	3,36	1,67	5,17	3,22	1,75

Heating 50 Hz 220 - 240 V

AFR	12,0
-----	------

Indoor temperature		Outdoor temperature [°C WB]											
EDB		-15		-10		-5		0		6		10	
°C	°C	TC	PI	TC	PI	TC	PI	TC	PI	TC	PI	TC	PI
15,0	2,70	1,51	3,24	1,58	3,78	1,66	4,33	1,74	6,00	1,83	6,52	1,89	
20,0	2,53	1,55	3,07	1,62	3,62	1,70	4,16	1,78	5,80	1,87	6,32	1,93	
22,0	2,46	1,56	3,01	1,64	3,55	1,72	4,10	1,80	5,72	1,89	6,24	1,95	
24,0	2,40	1,58	2,94	1,66	3,49	1,74	4,03	1,81	5,64	1,90	6,16	1,97	
25,0	2,36	1,59	2,91	1,67	3,45	1,74	4,00	1,82	5,60	1,91	6,10	1,97	
27,0	2,30	1,61	2,84	1,68	3,39	1,76	3,93	1,84	5,27	1,93	5,27	1,99	

Symbols

AFR : Air flow rate [m³/min]
 BF : Bypass factor
 EWB : Entering wet-bulb temperature [°C WB]
 EDB : Entering dry-bulb temperature [°C DB]
 TC : Total capacity [kW]
 SHC : Sensible heat capacity [kW]
 PI : Power input [kW]

Notes

- The ratings shown are net capacities which include a deduction for indoor fan motor heat.
- On the figure the mark shows the rated capacity and rated coefficient of the power input.
- The total capacity, power input and sensible heat capacity must be calculated by interpolation, using the figures in the table (figures not in the table may not be used in the calculation).
- In case the sensible heat capacity is not mentioned in the table, please calculate it using an approximation between two values in direct proportion.
- The capacities are based on the following conditions:
 Corresponding refrigerant piping length: 5 m
 Level difference: 0m
- The air flow rate and bypass factor are mentioned in the table.

3D110080

4 Capacity tables

4 - 1 Cooling/Heating Capacity Tables

4

FFA50A / RXM50M9

Cooling 50 Hz 220 - 240 V

AFR	12,0
BF	0,16

Indoor temperature		Outdoor temperature [°C DB]																	
EWB	EDB	20			25			30			32			35			40		
°C	°C	TC	SHC	PI	TC	SHC	PI	TC	SHC	PI	TC	SHC	PI	TC	SHC	PI	TC	SHC	PI
14,0	20	4,14	3,06	1,03	4,14	3,06	1,17	4,14	3,06	1,32	4,14	3,06	1,38	4,14	3,06	1,47	4,14	3,06	1,63
16,0	22	5,26	3,46	1,18	5,12	3,39	1,30	4,89	3,27	1,42	4,79	3,23	1,46	4,65	3,16	1,53	4,42	3,05	1,65
18,0	25	5,58	3,64	1,20	5,35	3,53	1,31	5,12	3,42	1,43	5,02	3,37	1,47	4,88	3,31	1,54	4,65	3,21	1,65
19,0	27	5,70	3,80	1,20	5,47	3,69	1,31	5,23	3,59	1,43	5,14	3,54	1,47	5,00	3,48	1,54	4,77	3,38	1,66
22,0	30	6,04	3,65	1,21	5,81	3,55	1,33	5,58	3,46	1,44	5,49	3,42	1,48	5,35	3,37	1,55	5,11	3,28	1,67
24,0	32	6,27	3,54	1,22	6,04	3,45	1,33	5,81	3,37	1,45	5,72	3,34	1,49	5,58	3,29	1,56	5,34	3,20	1,67

Heating 50 Hz 220 - 240 V

AFR	12,0
-----	------

Indoor temperature		Outdoor temperature [°C WB]											
EDB		-15		-10		-5		0		6		10	
°C	°C	TC	PI	TC	PI	TC	PI	TC	PI	TC	PI	TC	PI
15,0	20	2,70	1,34	3,24	1,41	3,78	1,47	4,33	1,54	6,00	1,62	6,52	1,68
20,0	20	2,53	1,37	3,07	1,44	3,62	1,51	4,16	1,58	5,80	1,66	6,32	1,72
22,0	20	2,46	1,39	3,01	1,46	3,55	1,53	4,10	1,59	5,72	1,68	6,21	1,73
24,0	20	2,40	1,40	2,94	1,47	3,49	1,54	4,03	1,61	5,64	1,69	6,10	1,75
25,0	20	2,36	1,41	2,91	1,48	3,45	1,55	4,00	1,62	5,55	1,70	6,00	1,75
27,0	20	2,30	1,43	2,84	1,50	3,39	1,56	3,93	1,63	5,10	1,71	5,10	1,77

Symbols

- AFR : Air flow rate [m³/min]
- BF : Bypass factor
- EWB : Entering wet-bulb temperature (°C WB)
- EDB : Entering dry-bulb temperature (°C DB)
- TC : Total capacity [kW]
- SHC : Sensible heat capacity [kW]
- PI : Power input [kW]

Notes

1. The ratings shown are net capacities which include a deduction for indoor fan motor heat.
2. On the figure the □ mark shows the rated capacity and rated coefficient of the power input.
3. The total capacity, power input and sensible heat capacity must be calculated by interpolation, using the figures in the table (figures not in the table may not be used in the calculation).
4. In case the sensible heat capacity is not mentioned in the table, please calculate it using an approximation between two values in direct proportion.
5. The capacities are based on the following conditions:
Corresponding refrigerant piping length: 5 m
Level difference: 0m
6. The air flow rate and bypass factor are mentioned in the table.

3D110085

FHA50A / RXM50M9

Cooling 50 Hz 220 - 240 V

AFR	15,0
BF	0,18

Indoor temperature		Outdoor temperature [°C DB]																	
EWB	EDB	20			25			30			32			35			40		
°C	°C	TC	SHC	PI	TC	SHC	PI	TC	SHC	PI	TC	SHC	PI	TC	SHC	PI	TC	SHC	PI
14,0	20	5,05	3,73	1,18	4,89	3,65	1,31	4,66	3,53	1,43	4,56	3,49	1,47	4,42	3,42	1,54	4,19	3,30	1,66
16,0	22	5,35	3,70	1,20	5,12	3,59	1,32	4,89	3,48	1,43	4,79	3,44	1,48	4,65	3,37	1,55	4,42	3,27	1,66
18,0	25	5,58	3,87	1,21	5,35	3,77	1,32	5,12	3,66	1,44	5,02	3,62	1,49	4,88	3,56	1,55	4,65	3,47	1,67
19,0	27	5,70	4,08	1,21	5,47	3,98	1,33	5,23	3,88	1,44	5,14	3,84	1,49	5,00	3,78	1,56	4,77	3,69	1,67
22,0	30	6,04	3,93	1,22	5,81	3,84	1,34	5,58	3,75	1,45	5,49	3,72	1,50	5,35	3,67	1,57	5,11	3,58	1,68
24,0	32	6,27	3,82	1,23	6,04	3,74	1,34	5,81	3,66	1,46	5,72	3,63	1,51	5,58	3,59	1,58	5,34	3,51	1,69

Heating 50 Hz 220 - 240 V

AFR	15,0
-----	------

Indoor temperature		Outdoor temperature [°C WB]											
EDB		-15		-10		-5		0		6		10	
°C	°C	TC	PI	TC	PI	TC	PI	TC	PI	TC	PI	TC	PI
15,0	20	2,79	1,44	3,35	1,51	3,91	1,59	4,48	1,66	6,21	1,75	6,75	1,81
20,0	20	2,62	1,48	3,18	1,56	3,74	1,63	4,31	1,70	6,00	1,79	6,54	1,85
22,0	20	2,55	1,50	3,11	1,57	3,67	1,64	4,24	1,72	5,92	1,81	6,46	1,87
24,0	20	2,48	1,51	3,04	1,59	3,61	1,66	4,17	1,73	5,83	1,82	6,38	1,88
25,0	20	2,45	1,52	3,01	1,60	3,57	1,67	4,13	1,74	5,79	1,83	6,33	1,89
27,0	20	2,38	1,54	2,94	1,61	3,50	1,69	4,06	1,76	5,71	1,85	6,25	1,91

Symbols

- AFR : Air flow rate [m³/min]
- BF : Bypass factor
- EWB : Entering wet-bulb temperature (°C WB)
- EDB : Entering dry-bulb temperature (°C DB)
- TC : Total capacity [kW]
- SHC : Sensible heat capacity [kW]
- PI : Power input [kW]

Notes

1. The ratings shown are net capacities which include a deduction for indoor fan motor heat.
2. On the figure the □ mark shows the rated capacity and rated coefficient of the power input.
3. The total capacity, power input and sensible heat capacity must be calculated by interpolation, using the figures in the table (figures not in the table may not be used in the calculation).
4. In case the sensible heat capacity is not mentioned in the table, please calculate it using an approximation between two values in direct proportion.
5. The capacities are based on the following conditions:
Corresponding refrigerant piping length: 5 m
Level difference: 0m
6. The air flow rate and bypass factor are mentioned in the table.

3D110087

4 Capacity tables

4 - 1 Cooling/Heating Capacity Tables

FNA50A / RXM50M9

Cooling 50 Hz 220 - 240 V

Indoor temperature		Outdoor temperature [°C DB]																	
EWB	EDB	20			25			30			32			35			40		
		TC	SHC	PI	TC	SHC	PI	TC	SHC	PI	TC	SHC	PI	TC	SHC	PI	TC	SHC	PI
14,0	20	5,12	3,94	1,13	4,89	3,83	1,24	4,66	3,71	1,35	4,56	3,67	1,40	4,42	3,60	1,46	4,19	3,49	1,57
16,0	22	5,35	3,87	1,14	5,12	3,77	1,25	4,89	3,66	1,36	4,79	3,62	1,40	4,65	3,56	1,47	4,42	3,45	1,58
18,0	25	5,58	4,08	1,15	5,35	3,98	1,26	5,12	3,88	1,37	5,02	3,84	1,41	4,88	3,78	1,48	4,65	3,69	1,59
19,0	27	5,70	4,32	1,15	5,47	4,22	1,26	5,23	4,13	1,37	5,14	4,09	1,41	5,00	4,04	1,48	4,77	3,94	1,59
22,0	30	6,04	4,17	1,16	5,81	4,09	1,27	5,58	4,00	1,38	5,49	3,97	1,42	5,35	3,92	1,49	5,11	3,84	1,60
24,0	32	6,27	4,07	1,17	6,04	3,99	1,28	5,81	3,92	1,39	5,72	3,89	1,43	5,58	3,84	1,50	5,34	3,77	1,60

AFR	16,0
BF	0,12

Heating 50 Hz 220 - 240 V

Indoor temperature		Outdoor temperature [°C WB]											
EDB	°C	-15		-10		-5		0		6		10	
		TC	PI	TC	PI	TC	PI	TC	PI	TC	PI	TC	PI
15,0	2,70	1,40	3,24	1,47	3,78	1,54	4,33	1,61	6,00	1,70	6,52	1,75	
20,0	2,53	1,44	3,07	1,51	3,62	1,58	4,16	1,65	5,80	1,74	6,32	1,79	
22,0	2,46	1,45	3,01	1,52	3,55	1,59	4,10	1,67	5,72	1,75	6,24	1,81	
24,0	2,40	1,47	2,94	1,54	3,49	1,61	4,03	1,68	5,64	1,77	6,16	1,83	
25,0	2,36	1,48	2,91	1,55	3,45	1,62	4,00	1,69	5,60	1,78	6,12	1,83	
27,0	2,30	1,49	2,84	1,56	3,39	1,63	3,93	1,71	5,52	1,79	6,04	1,85	

AFR	16,0
-----	------

Symbols

AFR Air flow rate [m³/min]
 BF Bypass factor
 EWB Entering wet-bulb temperature (°C WB)
 EDB Entering dry-bulb temperature (°C DB)
 TC Total capacity [kW]
 SHC Sensible heat capacity [kW]
 PI Power input [kW]

Notes

- The ratings shown are net capacities which include a deduction for indoor fan motor heat.
- On the figure the □ mark shows the rated capacity and rated coefficient of the power input.
- The total capacity, power input and sensible heat capacity must be calculated by interpolation, using the figures in the table (figures not in the table may not be used in the calculation).
- In case the sensible heat capacity is not mentioned in the table, please calculate it using an approximation between two values in direct proportion.
- The capacities are based on the following conditions:
 Corresponding refrigerant piping length: 5 m
 Level difference: 0m
- The air flow rate and bypass factor are mentioned in the table.

3D110091

FVXM50F / RXM50M9

Cooling ·50· Hz ·220 - 240· V

Indoor temperature		Outdoor temperature [°C DB]																	
EWB	EDB	20			25			30			32			35			40		
		TC	SHC	PI	TC	SHC	PI	TC	SHC	PI	TC	SHC	PI	TC	SHC	PI	TC	SHC	PI
14,0	20	3,82	2,82	0,98	3,82	2,82	1,12	3,82	2,82	1,27	3,82	2,82	1,33	3,82	2,82	1,42	3,82	2,82	1,57
16,0	22	4,86	3,20	1,12	4,86	3,20	1,27	4,86	3,20	1,42	4,79	3,16	1,47	4,65	3,09	1,54	4,42	2,98	1,65
18,0	25	5,58	3,56	1,20	5,35	3,45	1,32	5,12	3,34	1,43	5,02	3,29	1,48	4,88	3,23	1,54	4,65	3,12	1,66
19,0	27	5,70	3,71	1,20	5,47	3,60	1,32	5,23	3,49	1,43	5,14	3,45	1,48	5,00	3,39	1,55	4,77	3,28	1,66
22,0	30	6,04	3,56	1,21	5,81	3,46	1,33	5,58	3,37	1,44	5,49	3,33	1,49	5,35	3,27	1,56	5,11	3,18	1,67
24,0	32	6,27	3,45	1,22	6,04	3,36	1,34	5,81	3,27	1,45	5,72	3,24	1,50	5,58	3,19	1,57	5,34	3,10	1,68

AFR	10,7
BF	0,13

Heating ·50· Hz ·220 - 240· V

Indoor temperature		Outdoor temperature [°C WB]											
EDB	°C	-15		-10		-5		0		6		10	
		TC	PI	TC	PI	TC	PI	TC	PI	TC	PI	TC	PI
15,0	2,70	1,29	3,24	1,35	3,78	1,42	4,33	1,48	6,00	1,56	6,52	1,61	
20,0	2,53	1,32	3,07	1,39	3,62	1,45	4,16	1,52	5,80	1,60	6,32	1,65	
22,0	2,46	1,34	3,01	1,40	3,55	1,47	4,10	1,53	5,72	1,61	6,24	1,66	
24,0	2,40	1,35	2,94	1,42	3,49	1,48	4,03	1,55	5,64	1,63	6,16	1,68	
25,0	2,36	1,36	2,91	1,42	3,45	1,49	4,00	1,55	5,57	1,63	6,12	1,69	
27,0	2,30	1,37	2,84	1,44	3,39	1,50	3,93	1,57	5,49	1,65	6,04	1,70	

AFR	11,8
-----	------

Symbols

AFR : Air flow rate [m³/min]
 BF : Bypass factor
 EWB : Entering wet-bulb temperature (°C WB)
 EDB : Entering dry-bulb temperature (°C DB)
 TC : Total capacity [kW]
 SHC : Sensible heat capacity [kW]
 PI : Power input [kW]

Notes

- The ratings shown are net capacities which include a deduction for indoor fan motor heat.
- On the figure the □ mark shows the rated capacity and rated coefficient of the power
- The total capacity, power input and sensible heat capacity must be calculated by interpolation, using the figures in the table (figures not in the table may not be used in the calculation).
- In case the sensible heat capacity is not mentioned in the table, please calculate it using an approximation between two values in direct proportion.
- The capacities are based on the following conditions:
 Corresponding refrigerant piping length: ·5· m
 Level difference: ·0·m
- The air flow rate and bypass factor are mentioned in the table.

3D110095

4 Capacity tables

4 - 1 Cooling/Heating Capacity Tables

4

FBA60A / RXM60M9

Cooling 50 Hz 220 - 240 V

AFR	18,0
BF	0,15

Indoor temperature		Outdoor temperature [°C DB]																	
EWB	EDB	20			25			30			32			35			40		
°C	°C	TC	SHC	PI	TC	SHC	PI	TC	SHC	PI	TC	SHC	PI	TC	SHC	PI	TC	SHC	PI
14,0	20	5,84	4,42	1,26	5,57	4,28	1,38	5,31	4,16	1,50	5,20	4,10	1,55	5,04	4,03	1,62	4,78	3,90	1,74
16,0	22	6,10	4,34	1,26	5,84	4,22	1,38	5,57	4,09	1,51	5,47	4,05	1,55	5,31	3,97	1,63	5,04	3,86	1,75
18,0	25	6,36	4,56	1,27	6,10	4,44	1,39	5,83	4,33	1,51	5,73	4,29	1,56	5,57	4,22	1,63	5,30	4,11	1,76
19,0	27	6,50	4,82	1,27	6,23	4,71	1,40	5,97	4,60	1,52	5,86	4,56	1,57	5,70	4,49	1,64	5,43	4,39	1,76
22,0	30	6,89	4,65	1,29	6,62	4,55	1,41	6,36	4,46	1,53	6,25	4,42	1,58	6,09	4,36	1,65	5,83	4,27	1,77
24,0	32	7,15	4,53	1,29	6,89	4,44	1,41	6,62	4,36	1,54	6,52	4,32	1,58	6,36	4,27	1,66	6,09	4,18	1,78

Heating 50 Hz 220 - 240 V

AFR	18,0
-----	------

Indoor temperature		Outdoor temperature [°C WB]											
EDB		-15		-10		-5		0		6		10	
°C		TC	PI	TC	PI	TC	PI	TC	PI	TC	PI	TC	PI
15,0		3,39	1,52	4,08	1,60	4,76	1,67	5,44	1,75	7,24	1,84	7,87	1,91
20,0		3,18	1,56	3,87	1,64	4,55	1,72	5,23	1,79	7,00	1,89	7,63	1,95
22,0		3,10	1,58	3,78	1,66	4,47	1,73	5,15	1,81	6,90	1,90	7,54	1,97
24,0		3,02	1,59	3,70	1,67	4,38	1,75	5,07	1,83	6,81	1,92	7,44	1,98
25,0		2,97	1,60	3,66	1,68	4,34	1,76	5,03	1,84	6,76	1,93	7,39	1,99
27,0		2,89	1,62	3,57	1,70	4,26	1,78	4,94	1,85	6,66	1,95	7,29	2,01

Symbols

- AFR : Air flow rate [m³/min]
- BF : Bypass factor
- EWB : Entering wet-bulb temperature (°C WB)
- EDB : Entering dry-bulb temperature (°C DB)
- TC : Total capacity [kW]
- SHC : Sensible heat capacity [kW]
- PI : Power input [kW]

Notes

- 1 The ratings shown are net capacities which include a deduction for indoor fan motor heat.
- 2 On the figure the □ mark shows the rated capacity and rated coefficient of the power input.
- 3 The total capacity, power input and sensible heat capacity must be calculated by interpolation, using the figures in the table (figures not in the table may not be used in the calculation).
- 4 In case the sensible heat capacity is not mentioned in the table, please calculate it using an approximation between two values in direct proportion.
- 5 The capacities are based on the following conditions:
Corresponding refrigerant piping length: 5 m
Level difference: 0m
- 6 The air flow rate and bypass factor are mentioned in the table.

3D110074

FCAG60A / RXM60M9

Cooling 50 Hz 220 - 240 V

AFR	13,6
BF	0,2

Indoor temperature		Outdoor temperature [°C DB]																	
EWB	EDB	20			25			30			32			35			40		
°C	°C	TC	SHC	PI	TC	SHC	PI	TC	SHC	PI	TC	SHC	PI	TC	SHC	PI	TC	SHC	PI
14,0	20	4,47	3,30	1,12	4,47	3,30	1,28	4,47	3,30	1,44	4,47	3,30	1,51	4,47	3,30	1,61	4,47	3,30	1,78
16,0	22	5,68	3,73	1,27	5,68	3,73	1,43	5,57	3,68	1,58	5,47	3,63	1,63	5,31	3,55	1,71	5,04	3,42	1,84
18,0	25	6,36	4,09	1,34	6,10	3,96	1,16	5,83	3,83	1,59	5,73	3,78	1,64	5,57	3,71	1,72	5,30	3,59	1,85
19,0	27	6,50	4,26	1,34	6,23	4,14	1,47	5,97	4,01	1,59	5,86	3,97	1,65	5,70	3,89	1,72	5,43	3,78	1,85
22,0	30	6,89	4,09	1,35	6,62	3,98	1,48	6,36	3,87	1,61	6,25	3,83	1,66	6,09	3,76	1,73	5,83	3,66	1,86
24,0	32	7,15	3,96	1,36	6,89	3,86	1,49	6,62	3,76	1,61	6,52	3,73	1,66	6,36	3,67	1,74	6,09	3,57	1,87

Heating 50 Hz 220 - 240 V

AFR	13,6
-----	------

Indoor temperature		Outdoor temperature [°C WB]											
EDB		-15		-10		-5		0		6		10	
°C		TC	PI	TC	PI	TC	PI	TC	PI	TC	PI	TC	PI
15,0		3,39	1,67	4,08	1,75	4,76	1,84	5,44	1,92	7,24	2,02	7,87	2,09
20,0		3,18	1,71	3,87	1,80	4,55	1,88	5,23	1,97	7,00	2,07	7,63	2,14
22,0		3,10	1,73	3,78	1,82	4,47	1,90	5,15	1,99	6,90	2,09	7,54	2,16
24,0		3,02	1,75	3,70	1,84	4,38	1,92	5,07	2,01	6,81	2,11	7,38	2,18
25,0		2,97	1,76	3,66	1,84	4,34	1,93	5,03	2,02	6,76	2,12	7,13	2,19
27,0		2,89	1,78	3,57	1,86	4,26	1,95	4,94	2,03	6,64	2,14	6,64	2,20

Symbols

- AFR : Air flow rate [m³/min]
- BF : Bypass factor
- EWB : Entering wet-bulb temperature (°C WB)
- EDB : Entering dry-bulb temperature (°C DB)
- TC : Total capacity [kW]
- SHC : Sensible heat capacity [kW]
- PI : Power input [kW]

Notes

1. The ratings shown are net capacities which include a deduction for indoor fan motor heat.
2. On the figure the □ mark shows the rated capacity and rated coefficient of the power input.
- 3 The total capacity, power input and sensible heat capacity must be calculated by interpolation, using the figures in the table (figures not in the table may not be used in the calculation).
4. In case the sensible heat capacity is not mentioned in the table, please calculate it using an approximation between two values in direct proportion.
- 5 The capacities are based on the following conditions:
Corresponding refrigerant piping length: 5 m
Level difference: 0m
6. The air flow rate and bypass factor are mentioned in the table.

3D110077

4 Capacity tables

4 - 1 Cooling/Heating Capacity Tables

FDXM60F3 / RXM60M9

Cooling 50 Hz 220 - 240 V

AFR	16,0
BF	0,12

Indoor temperature		Outdoor temperature [°C DB]																	
EWB	EDB	20			25			30			32			35			40		
		TC	SHC	PI	TC	SHC	PI	TC	SHC	PI	TC	SHC	PI	TC	SHC	PI	TC	SHC	PI
14,0	20	5,78	4,27	1,53	5,78	4,27	1,72	5,59	4,17	1,89	5,48	4,11	1,95	5,31	4,03	2,04	4,37	3,58	2,01
16,0	22	6,42	4,38	1,59	6,14	4,24	1,74	5,86	4,11	1,90	5,75	4,06	1,96	5,59	3,98	2,05	4,59	3,53	2,01
18,0	25	6,70	4,57	1,60	6,42	4,44	1,75	6,14	4,32	1,91	6,03	4,27	1,97	5,86	4,20	2,06	4,81	3,75	2,01
19,0	27	6,84	4,80	1,60	6,56	4,68	1,76	6,28	4,56	1,91	6,17	4,51	1,97	6,00	4,44	2,06	4,92	4,00	2,01
22,0	30	7,25	4,62	1,62	6,97	4,52	1,77	6,69	4,41	1,92	6,58	4,37	1,98	6,41	4,31	2,08	5,24	3,89	2,01
24,0	32	7,53	4,50	1,63	7,25	4,40	1,78	6,97	4,30	1,93	6,86	4,26	1,99	6,69	4,21	2,08	5,46	3,80	2,01

Heating 50 Hz 220 - 240 V

AFR	16,0
-----	------

Indoor temperature		Outdoor temperature [°C WB]											
EDB	°C	-15		-10		-5		0		6		10	
		TC	PI	TC	PI	TC	PI	TC	PI	TC	PI	TC	PI
15,0		3,39	1,75	4,08	1,84	4,76	1,93	5,44	2,02	7,24	2,13	7,87	2,20
20,0		3,18	1,80	3,87	1,89	4,55	1,98	5,23	2,07	7,00	2,18	7,63	2,25
22,0		3,10	1,82	3,78	1,91	4,47	2,00	5,15	2,09	6,90	2,20	7,54	2,27
24,0		3,02	1,84	3,70	1,93	4,38	2,02	5,07	2,11	6,81	2,22	7,44	2,29
25,0		2,97	1,85	3,66	1,94	4,34	2,03	5,03	2,12	6,76	2,23	7,39	2,30
27,0		2,89	1,87	3,57	1,96	4,26	2,05	4,94	2,14	6,66	2,25	7,29	2,32

Symbols

- AFR : Air flow rate [m³/min]
- BF : Bypass factor
- EWB : Entering wet-bulb temperature [°C WB]
- EDB : Entering dry-bulb temperature [°C DB]
- TC : Total capacity [kW]
- SHC : Sensible heat capacity [kW]
- PI : Power input [kW]

Notes

1. The ratings shown are net capacities which include a deduction for indoor fan motor heat.
2. On the figure the □ mark shows the rated capacity and rated coefficient of the power input.
3. The total capacity, power input and sensible heat capacity must be calculated by interpolation, using the figures in the table (figures not in the table may not be used in the calculation).
4. In case the sensible heat capacity is not mentioned in the table, please calculate it using an approximation between two values in direct proportion.
5. The capacities are based on the following conditions:
Corresponding refrigerant piping length: 5 m
Level difference: 0m
6. The air flow rate and bypass factor are mentioned in the table.

3D110081

FFA60A / RXM60M9

Cooling 50 Hz 220 - 240 V

AFR	14,5
BF	0,11

Indoor temperature		Outdoor temperature [°C DB]																	
EWB	EDB	20			25			30			32			35			40		
		TC	SHC	PI	TC	SHC	PI	TC	SHC	PI	TC	SHC	PI	TC	SHC	PI	TC	SHC	PI
14,0	20	5,30	3,91	1,36	5,30	3,91	1,53	5,30	3,91	1,71	5,20	3,86	1,77	5,04	3,78	1,85	4,78	3,65	1,99
16,0	22	6,10	4,12	1,44	5,84	3,99	1,58	5,57	3,86	1,72	5,47	3,81	1,77	5,31	3,73	1,86	5,04	3,61	1,99
18,0	25	6,36	4,29	1,45	6,10	4,17	1,59	5,83	4,05	1,73	5,73	4,00	1,78	5,57	3,93	1,86	5,30	3,82	2,00
19,0	27	6,50	4,50	1,45	6,23	4,38	1,59	5,97	4,27	1,73	5,86	4,22	1,79	5,70	4,16	1,87	5,43	4,05	2,01
22,0	30	6,89	4,33	1,47	6,62	4,23	1,61	6,36	4,13	1,74	6,25	4,09	1,80	6,09	4,03	1,88	5,78	3,91	2,01
24,0	32	7,15	4,21	1,48	6,89	4,12	1,61	6,62	4,02	1,75	6,52	3,99	1,81	6,36	3,93	1,89	6,01	3,82	2,01

Heating 50 Hz 220 - 240 V

AFR	14,5
-----	------

Indoor temperature		Outdoor temperature [°C WB]											
EDB	°C	-15		-10		-5		0		6		10	
		TC	PI	TC	PI	TC	PI	TC	PI	TC	PI	TC	PI
15,0		3,39	1,65	4,08	1,74	4,76	1,82	5,44	1,91	7,24	2,01	7,87	2,07
20,0		3,18	1,70	3,87	1,78	4,55	1,87	5,23	1,95	7,00	2,05	7,63	2,12
22,0		3,10	1,72	3,78	1,80	4,47	1,89	5,15	1,97	6,90	2,07	7,54	2,14
24,0		3,02	1,73	3,70	1,82	4,38	1,90	5,07	1,99	6,81	2,09	7,44	2,16
25,0		2,97	1,74	3,66	1,83	4,34	1,91	5,03	2,00	6,76	2,10	7,39	2,17
27,0		2,89	1,76	3,57	1,85	4,26	1,93	4,94	2,02	6,66	2,12	7,29	2,19

Symbols

- AFR : Air flow rate [m³/min]
- BF : Bypass factor
- EWB : Entering wet-bulb temperature [°C WB]
- EDB : Entering dry-bulb temperature [°C DB]
- TC : Total capacity [kW]
- SHC : Sensible heat capacity [kW]
- PI : Power input [kW]

Notes

1. The ratings shown are net capacities which include a deduction for indoor fan motor heat.
2. On the figure the □ mark shows the rated capacity and rated coefficient of the power input.
3. The total capacity, power input and sensible heat capacity must be calculated by interpolation, using the figures in the table (figures not in the table may not be used in the calculation).
4. In case the sensible heat capacity is not mentioned in the table, please calculate it using an approximation between two values in direct proportion.
5. The capacities are based on the following conditions:
Corresponding refrigerant piping length: 5 m
Level difference: 0m
6. The air flow rate and bypass factor are mentioned in the table.

3D110084

4 Capacity tables

4 - 1 Cooling/Heating Capacity Tables

FHA60A / RXM60M9

Cooling 50 Hz 220 - 240 V

Indoor temperature		Outdoor temperature [°C DB]																	
EWB °C	EDB °C	20			25			30			32			35			40		
		TC	SHC	PI	TC	SHC	PI	TC	SHC	PI	TC	SHC	PI	TC	SHC	PI	TC	SHC	PI
14,0	20	5,84	4,45	1,33	5,57	4,32	1,46	5,31	4,19	1,59	5,20	4,13	1,64	5,04	4,06	1,71	4,78	3,93	1,84
16,0	22	6,10	4,37	1,34	5,84	4,25	1,47	5,57	4,13	1,59	5,47	4,08	1,64	5,31	4,01	1,72	5,04	3,89	1,85
18,0	25	6,36	4,59	1,34	6,10	4,48	1,47	5,83	4,37	1,60	5,73	4,32	1,65	5,57	4,26	1,73	5,30	4,15	1,86
19,0	27	6,50	4,86	1,35	6,23	4,75	1,48	5,97	4,64	1,60	5,86	4,60	1,66	5,70	4,54	1,73	5,43	4,43	1,86
22,0	30	6,89	4,69	1,36	6,62	4,60	1,49	6,36	4,50	1,62	6,25	4,46	1,67	6,09	4,41	1,74	5,83	4,31	1,87
24,0	32	7,15	4,57	1,37	6,89	4,49	1,50	6,62	4,40	1,62	6,52	4,36	1,68	6,36	4,31	1,75	6,09	4,23	1,88

AFR	19,5
BF	0,2

Heating 50 Hz 220 - 240 V

Indoor temperature		Outdoor temperature [°C WB]											
EDB °C	°C	-15		-10		-5		0		6		10	
		TC	PI	TC	PI	TC	PI	TC	PI	TC	PI	TC	PI
15,0		3,49	1,74	4,19	1,83	4,90	1,92	5,60	2,01	7,45	2,12	8,10	2,19
20,0		3,27	1,79	3,98	1,88	4,68	1,97	5,38	2,06	7,20	2,17	7,85	2,24
22,0		3,19	1,81	3,89	1,90	4,59	1,99	5,30	2,08	7,10	2,19	7,75	2,26
24,0		3,10	1,83	3,81	1,92	4,51	2,01	5,21	2,10	7,00	2,21	7,65	2,28
25,0		3,06	1,84	3,76	1,93	4,47	2,02	5,17	2,11	6,95	2,22	7,60	2,29
27,0		2,97	1,86	3,68	1,95	4,38	2,04	5,08	2,13	6,85	2,24	7,50	2,31

AFR	19,5
-----	------

Symbols

AFR : Air flow rate [m³/min]
 BF : Bypass factor
 EWB : Entering wet-bulb temperature [°C WB]
 EDB : Entering dry-bulb temperature [°C DB]
 TC : Total capacity [kW]
 SHC : Sensible heat capacity [kW]
 PI : Power input [kW]

Notes

- The ratings shown are net capacities which include a deduction for indoor fan motor heat.
- On the figure the □ mark shows the rated capacity and rated coefficient of the power input.
- The total capacity, power input and sensible heat capacity must be calculated by interpolation, using the figures in the table (figures not in the table may not be used in the calculation).
- In case the sensible heat capacity is not mentioned in the table, please calculate it using an approximation between two values in direct proportion.
- The capacities are based on the following conditions:
 Corresponding refrigerant piping length: 5 m
 Level difference: 0m
- The air flow rate and bypass factor are mentioned in the table.

3D110088

FNA60A / RXM60M9

Cooling 50 Hz 220 - 240 V

Indoor temperature		Outdoor temperature [°C DB]																	
EWB °C	EDB °C	20			25			30			32			35			40		
		TC	SHC	PI	TC	SHC	PI	TC	SHC	PI	TC	SHC	PI	TC	SHC	PI	TC	SHC	PI
14,0	20	5,78	4,27	1,66	5,78	4,27	1,86	5,59	4,17	2,03	5,48	4,11	2,10	5,31	4,03	2,20	3,82	3,32	2,01
16,0	22	6,42	4,38	1,71	6,14	4,24	1,88	5,86	4,11	2,04	5,75	4,06	2,11	5,59	3,98	2,21	4,02	3,28	2,01
18,0	25	6,70	4,57	1,72	6,42	4,44	1,89	6,14	4,32	2,05	6,03	4,27	2,12	5,86	4,20	2,22	4,22	3,51	2,01
19,0	27	6,84	4,80	1,73	6,56	4,68	1,89	6,28	4,56	2,06	6,17	4,51	2,12	6,00	4,44	2,22	4,32	3,77	2,01
22,0	30	7,25	4,62	1,74	6,97	4,52	1,91	6,69	4,41	2,07	6,58	4,37	2,14	6,41	4,31	2,24	4,62	3,67	2,01
24,0	32	7,53	4,50	1,75	7,25	4,40	1,92	6,97	4,30	2,08	6,86	4,26	2,15	6,69	4,21	2,25	4,82	3,60	2,01

AFR	16,0
BF	0,12

Heating 50 Hz 220 - 240 V

Indoor temperature		Outdoor temperature [°C WB]											
EDB °C	°C	-15		-10		-5		0		6		10	
		TC	PI	TC	PI	TC	PI	TC	PI	TC	PI	TC	PI
15,0		3,39	1,81	4,08	1,90	4,76	2,00	5,44	2,09	7,24	2,20	7,87	2,27
20,0		3,18	1,86	3,87	1,95	4,55	2,05	5,23	2,14	7,00	2,25	7,63	2,32
22,0		3,10	1,88	3,78	1,97	4,47	2,07	5,15	2,16	6,90	2,27	7,54	2,35
24,0		3,02	1,90	3,70	1,99	4,38	2,09	5,07	2,18	6,81	2,29	7,44	2,37
25,0		2,97	1,91	3,66	2,00	4,34	2,10	5,03	2,19	6,76	2,30	7,39	2,38
27,0		2,89	1,93	3,57	2,03	4,26	2,12	4,94	2,21	6,66	2,32	7,29	2,40

AFR	16,0
-----	------

Symbols

AFR : Air flow rate [m³/min]
 BF : Bypass factor
 EWB : Entering wet-bulb temperature [°C WB]
 EDB : Entering dry-bulb temperature [°C DB]
 TC : Total capacity [kW]
 SHC : Sensible heat capacity [kW]
 PI : Power input [kW]

Notes

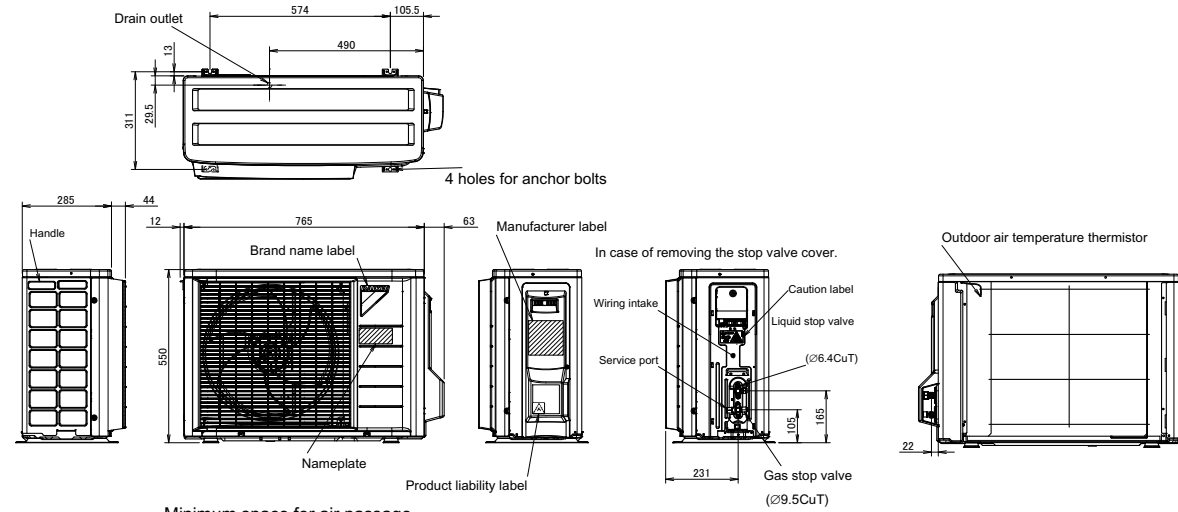
- The ratings shown are net capacities which include a deduction for indoor fan motor heat.
- On the figure the □ mark shows the rated capacity and rated coefficient of the power input.
- The total capacity, power input and sensible heat capacity must be calculated by interpolation, using the figures in the table (figures not in the table may not be used in the calculation).
- In case the sensible heat capacity is not mentioned in the table, please calculate it using an approximation between two values in direct proportion.
- The capacities are based on the following conditions:
 Corresponding refrigerant piping length: 5 m
 Level difference: 0m
- The air flow rate and bypass factor are mentioned in the table.

3D110092

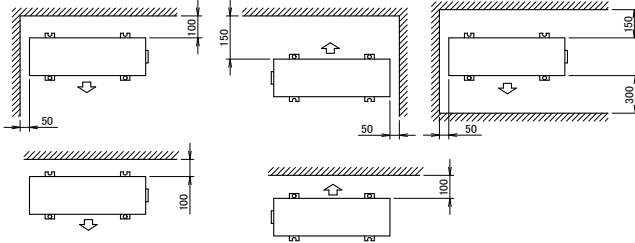
5 Dimensional drawings

5 - 1 Dimensional Drawings

RXM20-35M9

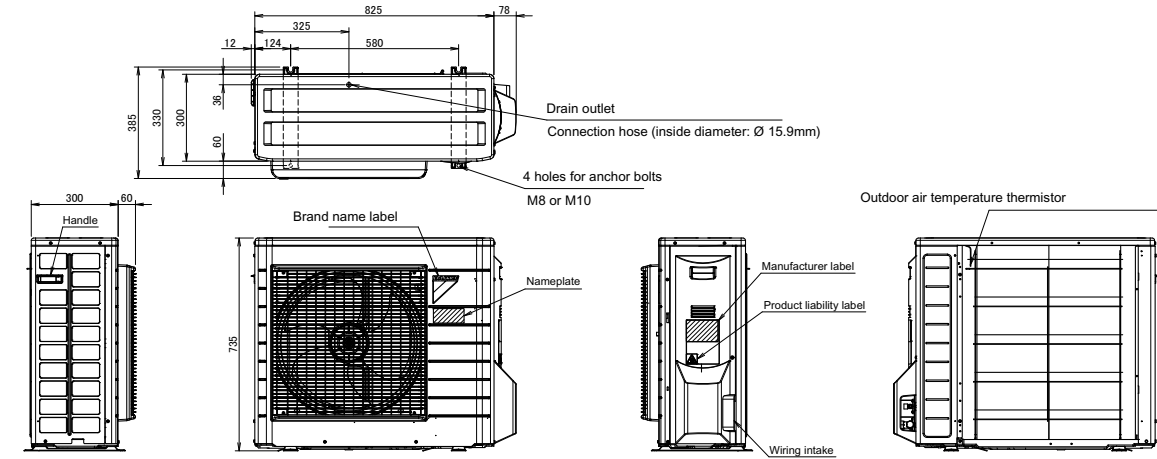


Minimum space for air passage
Wall height on air outlet side < 1200 mm

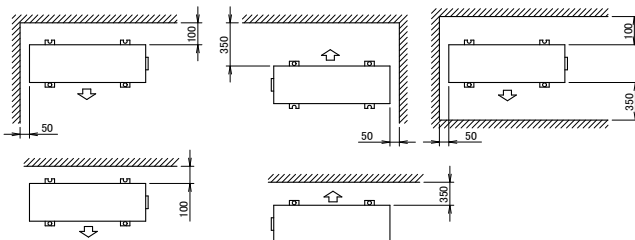


3D099636C

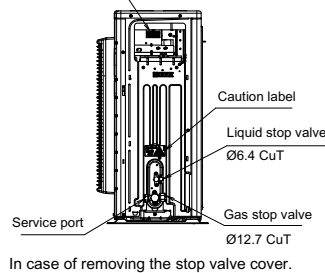
RXM42-60M9



Minimum space for air passage
Wall height on air outlet side < 1200 mm



Terminal strip with earth terminal

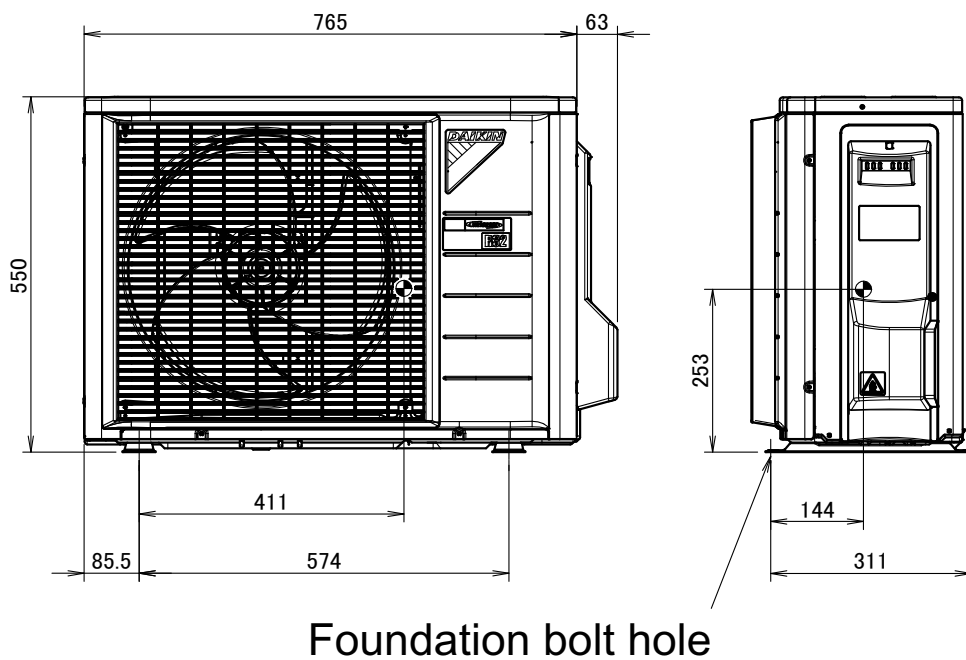


3D101541C

6 Centre of gravity

6 - 1 Centre of Gravity

RXM20-35M9



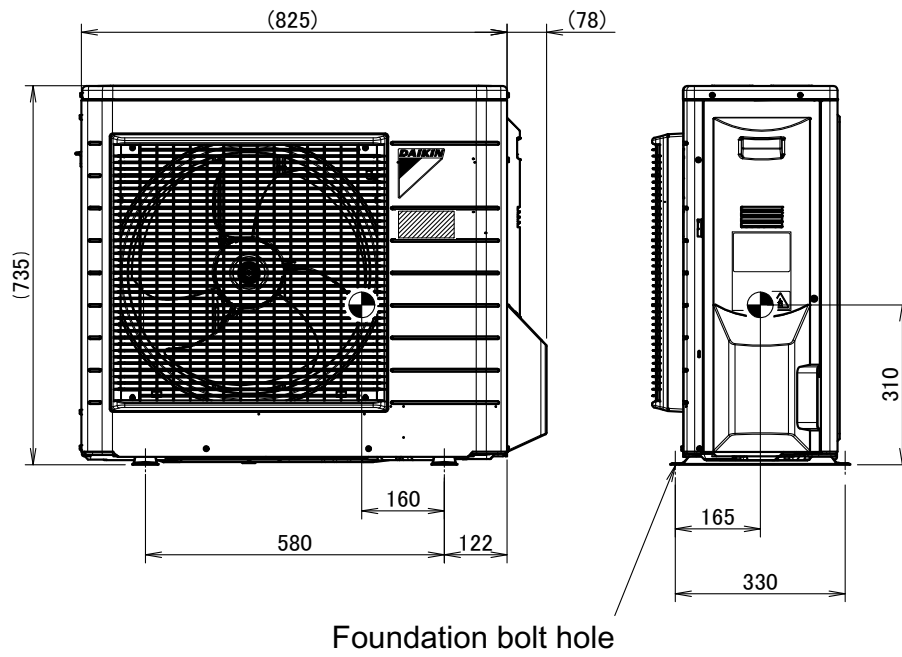
Foundation bolt hole

4D099652B

6 Centre of gravity

6 - 1 Centre of Gravity

RXM42-60M9



4D102113A

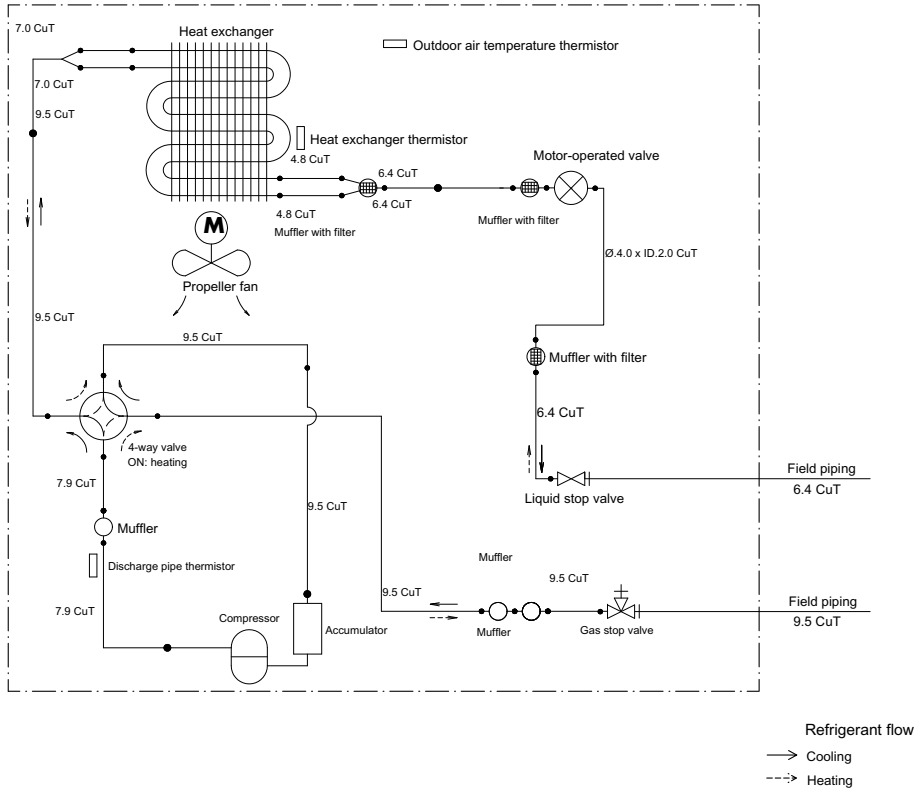
7 Piping diagrams

7 - 1 Piping Diagrams

7

RXM20-35M9

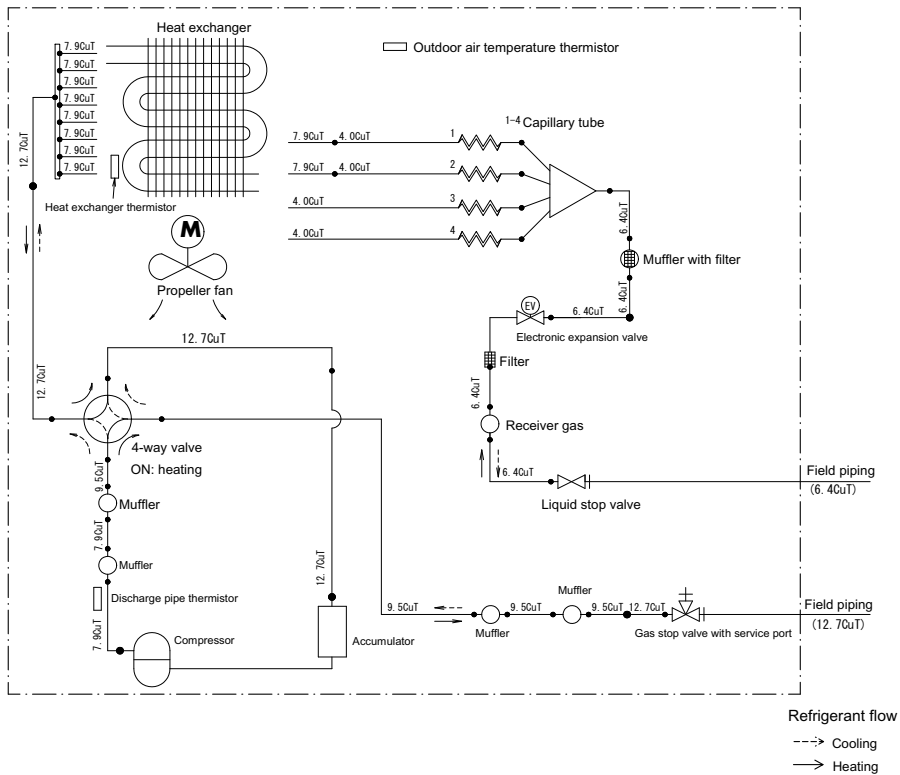
Outdoor unit



3D091995B

RXM42-50M9

Outdoor unit



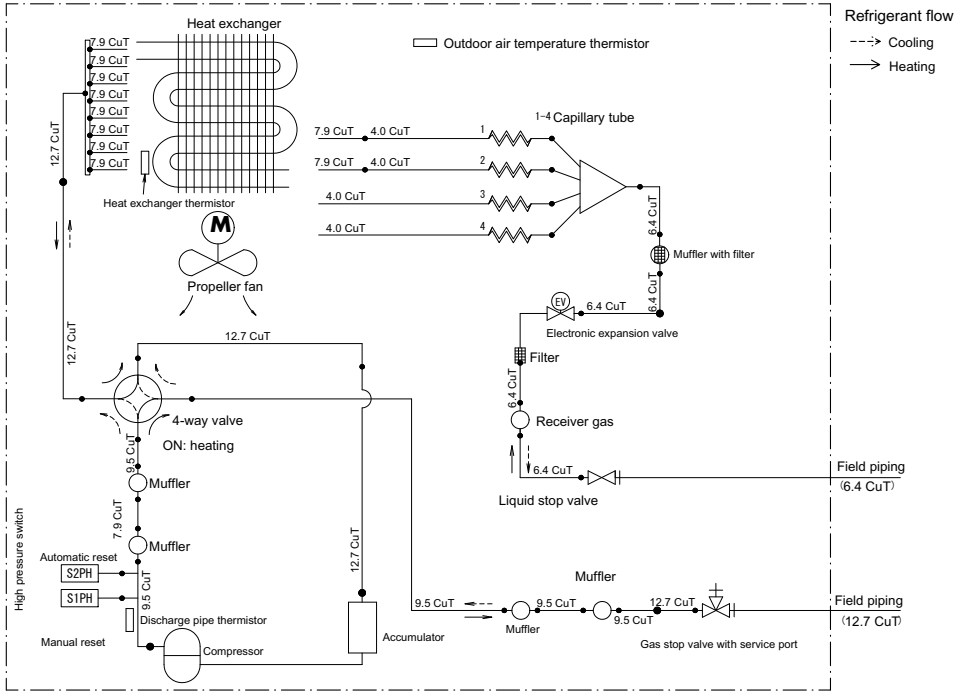
3D092010D

7 Piping diagrams

7 - 1 Piping Diagrams

RXM60M9

Outdoor unit



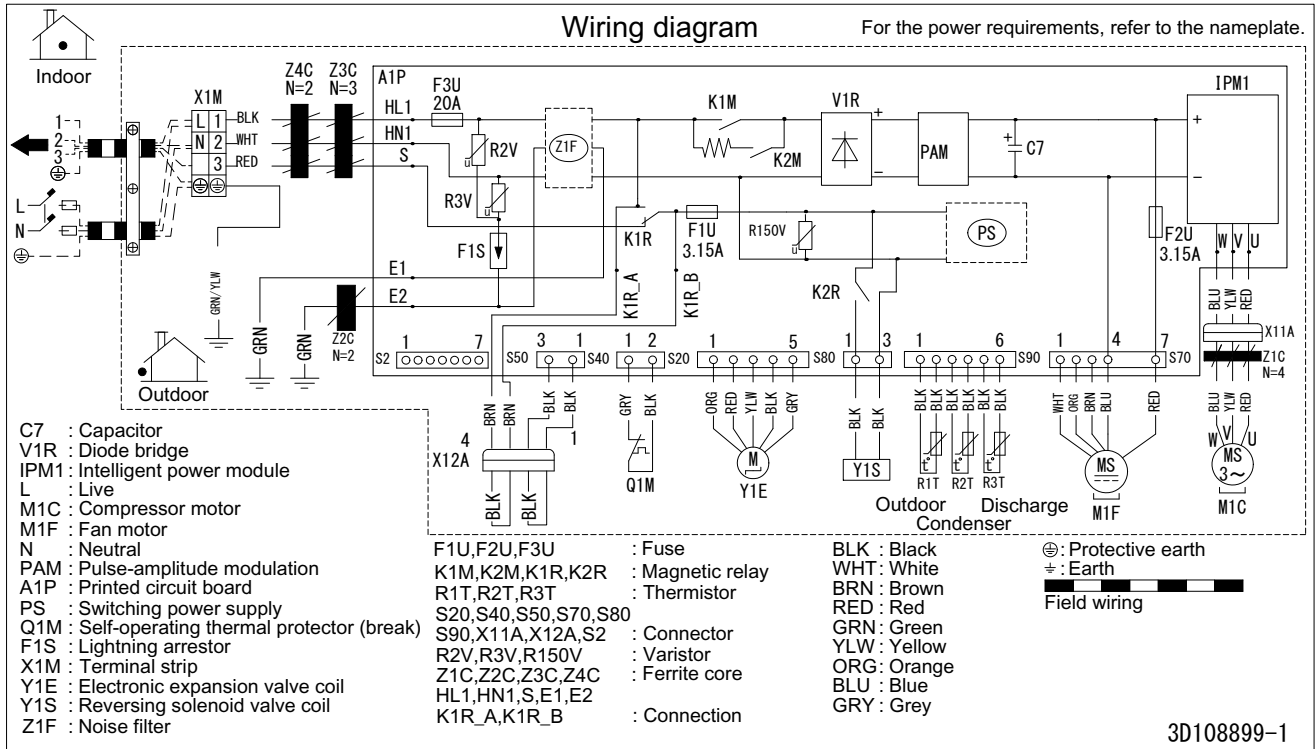
3D101185B

8 Wiring diagrams

8 - 1 Wiring Diagrams - Single Phase

8

RXM20-35M9

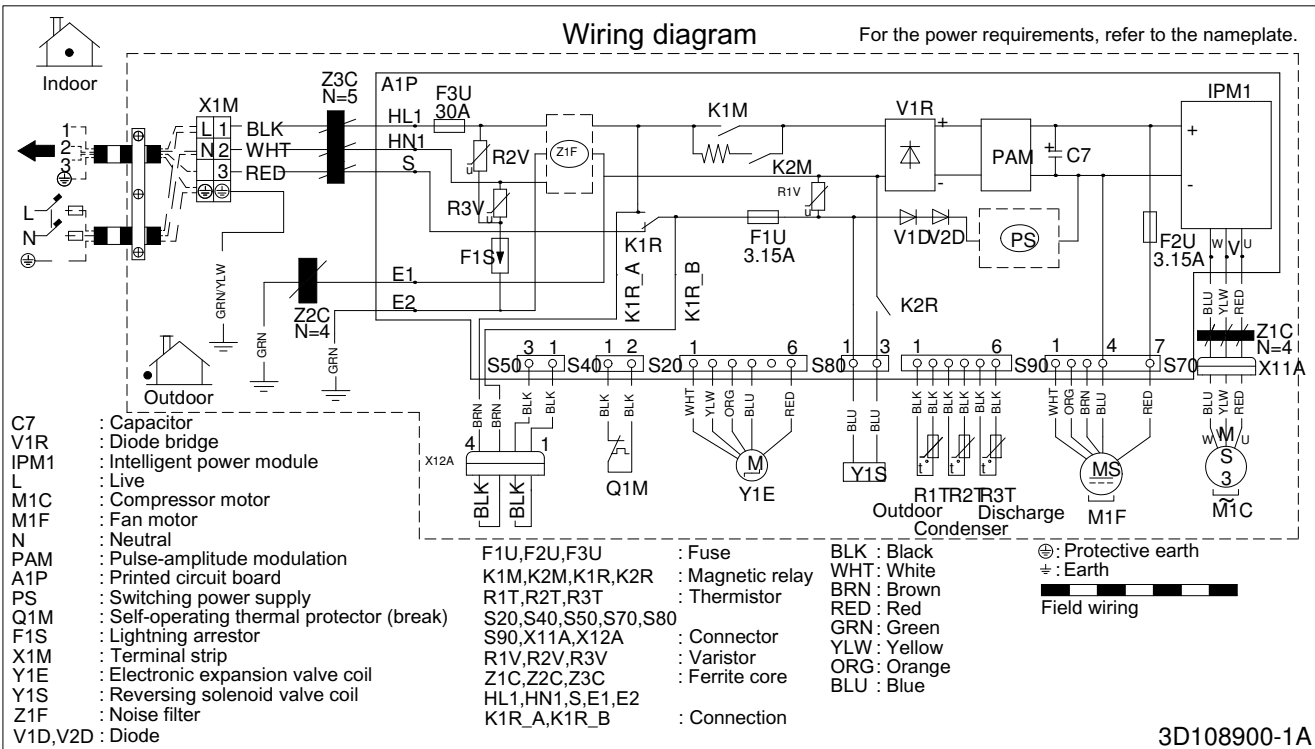


NOTES:

1. Size: 140 x 80
2. Refer to purchasing specification AS303002, unless otherwise specified.

3D108899

RXM42-50M9



NOTES:

1. Size: length 105x width 185.
2. Refer to purchasing specification AS303002 unless otherwise specified.

3D108900A

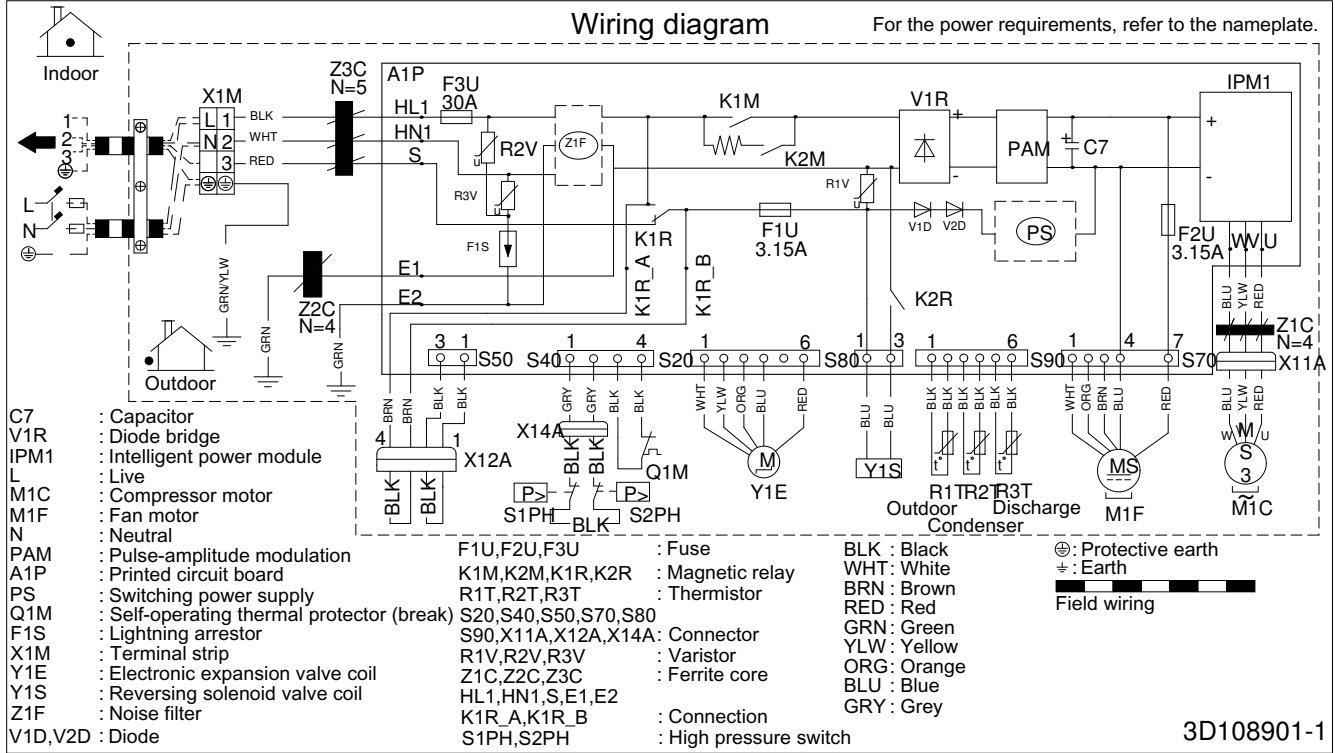
8 Wiring diagrams

8 - 1 Wiring Diagrams - Single Phase

RXM60M9

Wiring diagram

For the power requirements, refer to the nameplate.



3D108901-1

NOTES:

1. Size: length 105 x width 185.
2. Refer to purchasing specification AS303002 unless otherwise specified.

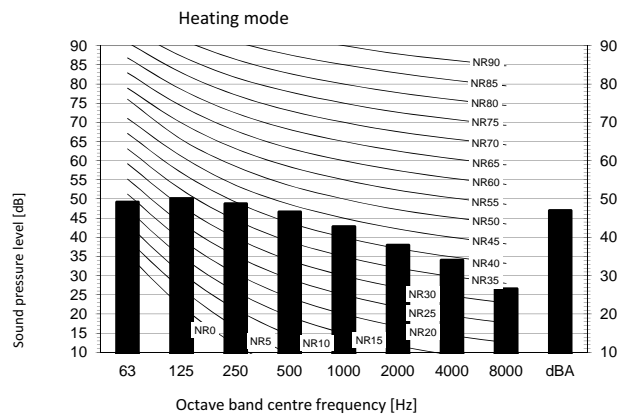
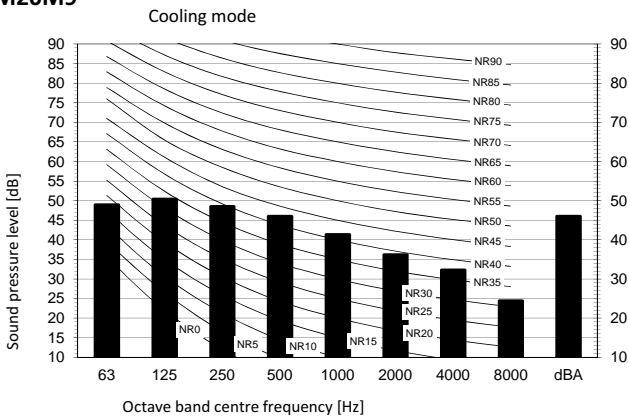
3D108901

9 Sound data

9 - 1 Sound Pressure Spectrum

9

RXM20M9

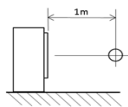


Legend

dBA = A-weighted sound pressure level (A scale according to IEC).

- A Scale
- B Fan speed: High

Location of microphone



Cooling Total dB

A	B
dBA	46

Heating Total dB

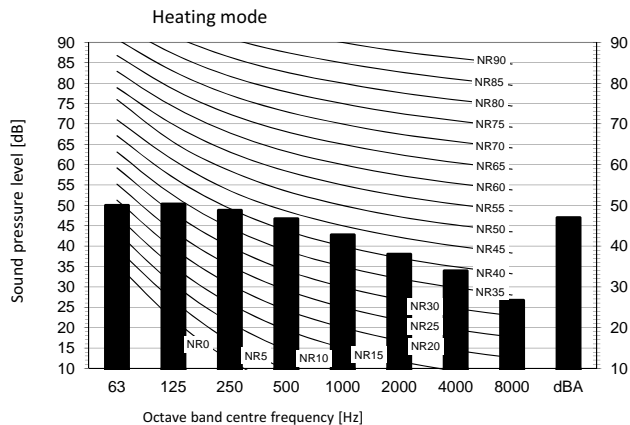
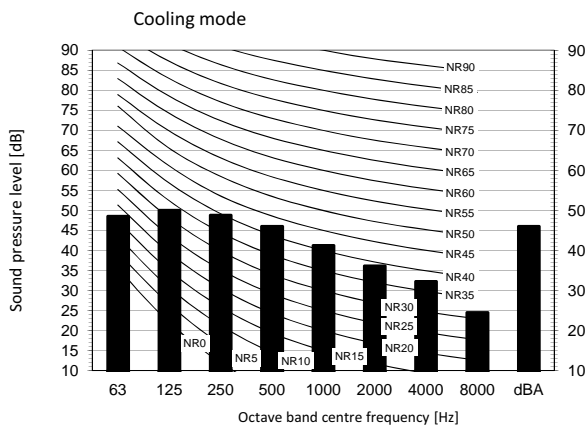
A	B
dBA	47

Notes

- 1 Background noise already taken into account.
- 2 Operating conditions: power source 220-240 V/220 V 50/60 Hz; JIS standard
- 3 Operating noise varies depending on operation and ambient conditions.
- 4 The operation noise measuring method is in accordance with JISC9612.
- 5 Measuring location: anechoic chamber

3D110121

RXM25M9

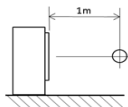


Legend

dBA = A-weighted sound pressure level (A scale according to IEC).

- A Scale
- B Fan speed: High

Location of microphone



Cooling Total dB

A	B
dBA	46

Heating Total dB

A	B
dBA	47

Notes

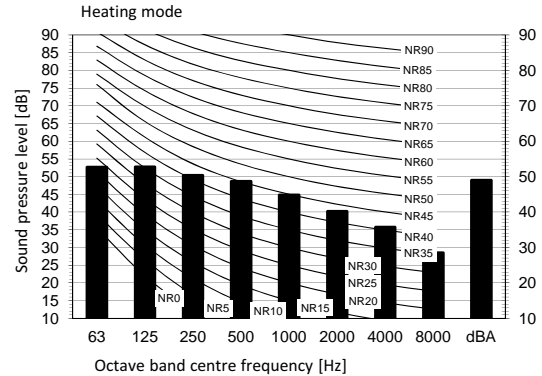
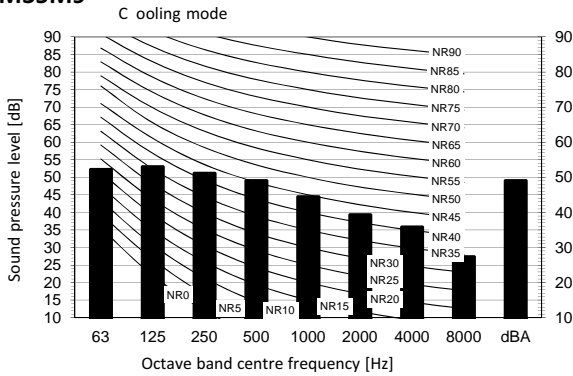
- 1 Background noise already taken into account.
- 2 Operating conditions: power source 220-240 V/220 V 50/60 Hz; JIS standard
- 3 Operating noise varies depending on operation and ambient conditions.
- 4 The operation noise measuring method is in accordance with JISC9612.
- 5 Measuring location: anechoic chamber

3D110122

9 Sound data

9 - 1 Sound Pressure Spectrum

RXM35M9

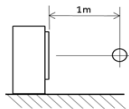


Legend

dBA = A-weighted sound pressure level (A scale according to IEC).

- A Scale
- B Fan speed: High

Location of microphone



Cooling Total dBA

A	B
dBA	49

Heating Total dBA

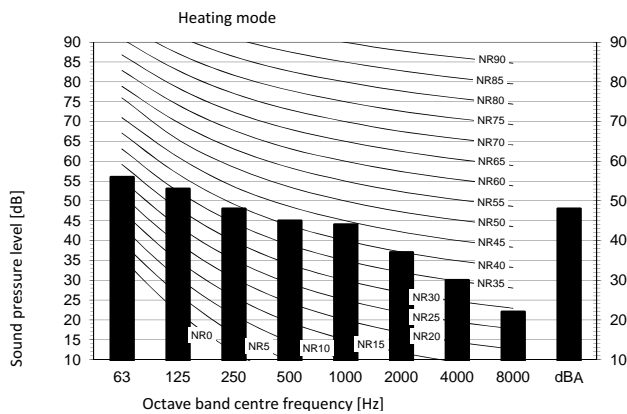
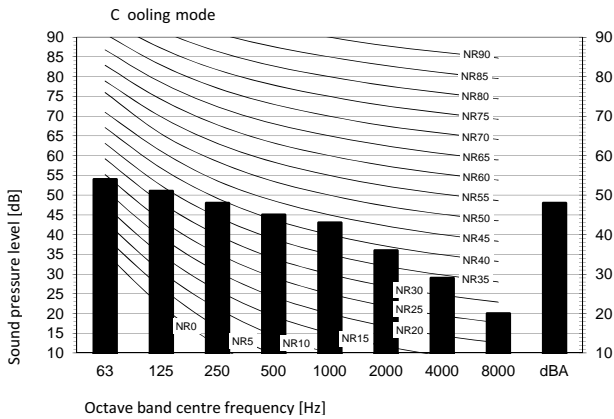
A	B
dBA	49

Notes

- 1 Background noise already taken into account.
- 2 Operating conditions: power source 220-240 V/220 V 50/60 Hz; JIS standard
- 3 Operating noise varies depending on operation and ambient conditions.
- 4 The operation noise measuring method is in accordance with JISC 9612.
- 5 Measuring location: anechoic chamber

3D110123

RXM42M9

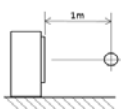


Legend

dBA = A-weighted sound pressure level (A scale according to IEC).

- A Scale
- B Fan speed: High

Location of microphone



Cooling Total dBA

A	B
dBA	48

Heating Total dBA

A	B
dBA	48

Notes

- 1 Background noise already taken into account.
- 2 Operating conditions: power source 220-240 V/220 V 50/60 Hz; JIS standard
- 3 Operating noise varies depending on operation and ambient conditions.
- 4 The operation noise measuring method is in accordance with JISC 9612.
- 5 Measuring location: anechoic chamber

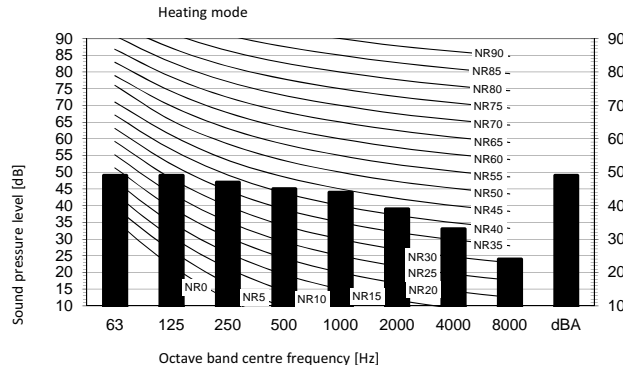
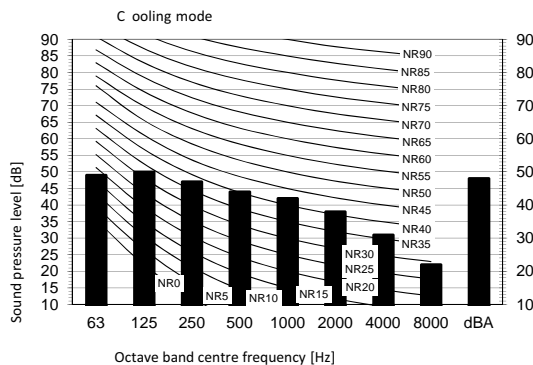
3D110124

9 Sound data

9 - 1 Sound Pressure Spectrum

9

RXM50M9

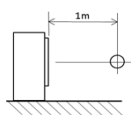


Legend

dBA = A-weighted sound pressure level (A scale according to IEC).

- A Scale
- B Fan speed: High

Location of microphone



Cooling Total dB

A	B
dBA	48

Heating Total dB

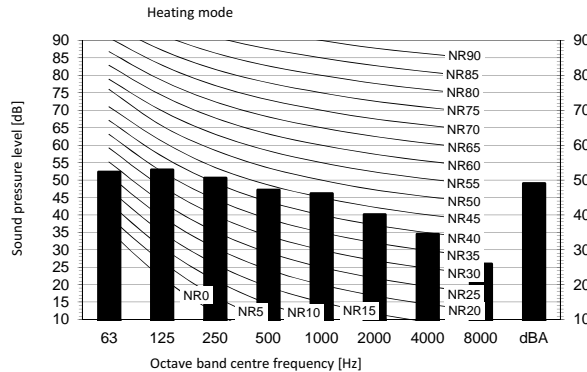
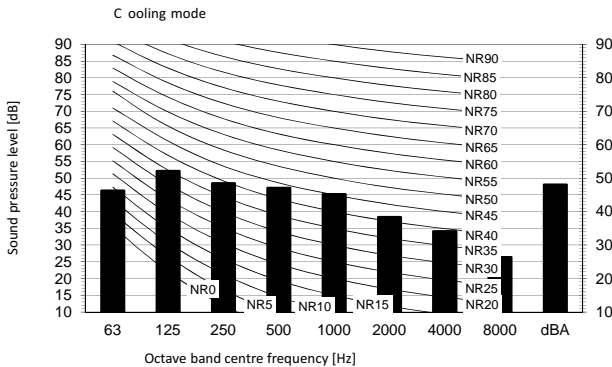
A	B
dBA	49

Notes

- 1 Background noise already taken into account.
- 2 Operating conditions: power source 220-240 V/220 V 50/60 Hz; JIS standard
- 3 Operating noise varies depending on operation and ambient conditions.
- 4 The operation noise measuring method is in accordance with JISC 9612.
- 5 Measuring location: anechoic chamber

3D110125

RXM60M9

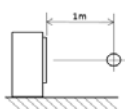


Legend

dBA = A-weighted sound pressure level (A scale according to IEC).

- A Scale
- B Fan speed: High

Location of microphone



Cooling Total dB

A	B
dBA	48

Heating Total dB

A	B
dBA	49

Notes

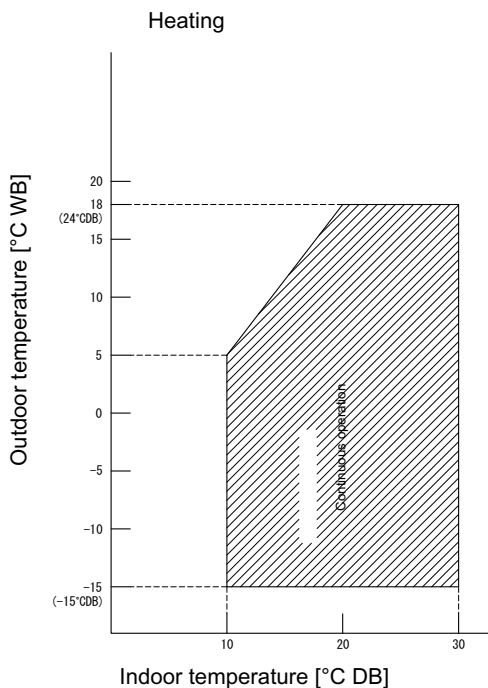
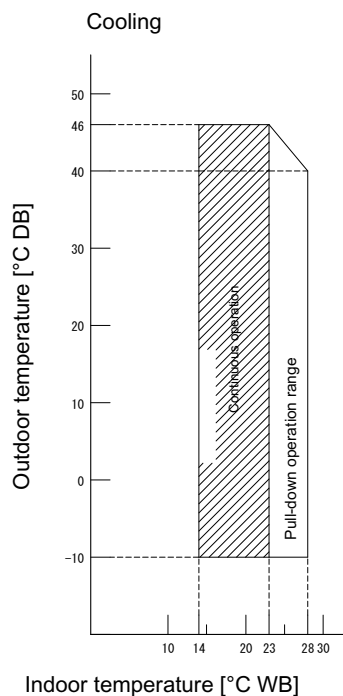
- 1 Background noise already taken into account.
- 2 Operating conditions: power source 220-240 V/220 V 50/60 Hz; JIS standard
- 3 Operating noise varies depending on operation and ambient conditions.
- 4 The operation noise measuring method is in accordance with JISC 9612.
- 5 Measuring location: anechoic chamber

3D110126

10 Operation range

10 - 1 Operation Range

RXM20-35M9

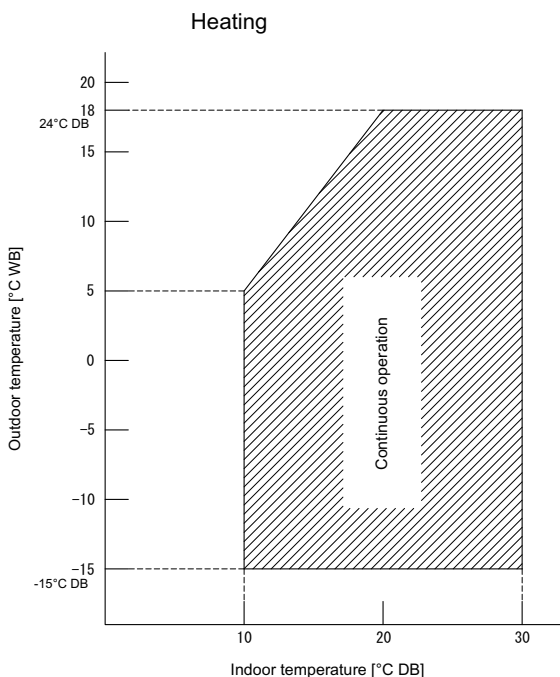
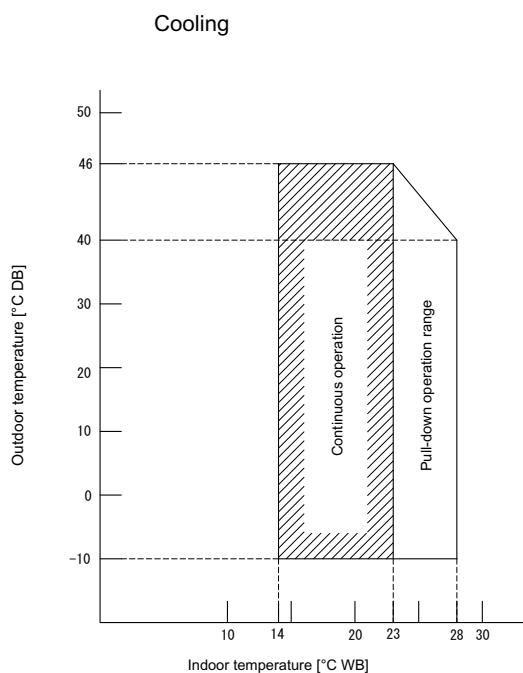


Notes

- 1. The graph is based on the following conditions.
 Corresponding refrigerant piping length: 5 m
 Level difference: 0m
 Air flow rate High

3D092127E

RXM42-60M9



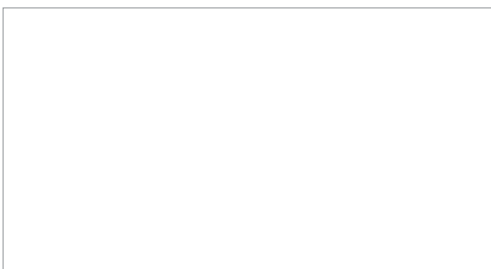
Notes

- 1. The graphs is based on the following conditions.
 Corresponding refrigerant piping length: 5 m
 Level difference: 0m
 Air flow rate High

3D100846D



Daikin Europe N.V. Naamloze Vennootschap - Zandvoordestraat 300, B-8400 Oostende - Belgium - www.daikin.eu - BE 0412 120 336 - RPR Oostende



EEDEN17 09/17



Daikin Europe N.V. participates in the Eurovent Certified Performance programme for Liquid Chilling Packages and Hydronic Heat Pumps, Fan Coil Units and Variable Refrigerant Flow systems. Check ongoing validity of certificate: www.eurovent-certification.com



The present leaflet is drawn up by way of information only and does not constitute an offer binding upon Daikin Europe N.V.. Daikin Europe N.V. has compiled the content of this leaflet to the best of its knowledge. No express or implied warranty is given for the completeness, accuracy, reliability or fitness for particular purpose of its content and the products and services presented therein. Specifications are subject to change without prior notice. Daikin Europe N.V. explicitly rejects any liability for any direct or indirect damage, in the broadest sense, arising from or related to the use and/or interpretation of this leaflet. All content is copyrighted by Daikin Europe N.V.